

Cistern

TSL.CISTERN

The TSL.Cistern is a heavy duty slimline cistern with WRAS approved side entry valve and 38mm 1- 1/2" flush pipe

Pavilion

+ TSL.CISTERN



Technical Data

Material	ABS plastic
Mounting	For wall or TSL frame mounting
Capacity	6 litres
Pipe connection	½" BSP male (fill-valve included)
Connection location	Left or right-hand side entry
Discharge connection	38mm pipe to cistern and WC pan

Compliance & certificates

CE	TBA
----	-----

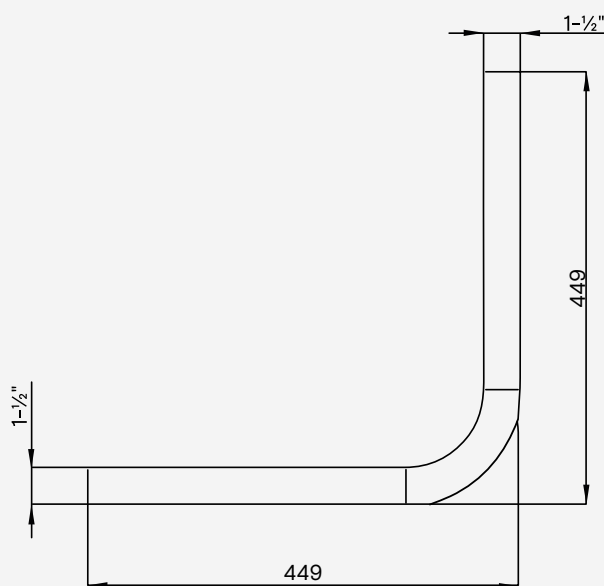
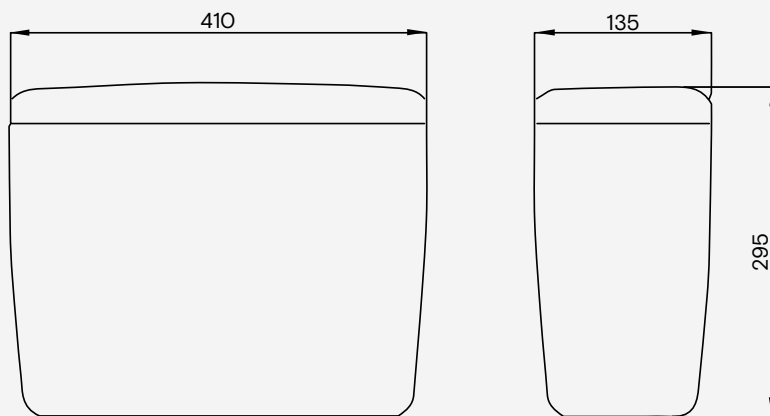
Included

- WRAS approved Torbeck fill valve
- 38mm flush pipe
- 38mm flush cone to fit into WC pan

Not included

- TSL.WCFRAME
- Tools for installation

+ Technical drawing



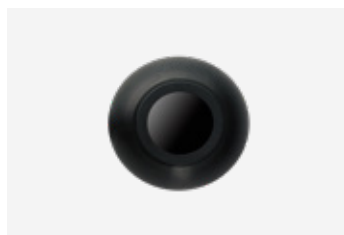
Warranty

2 years from date of purchase

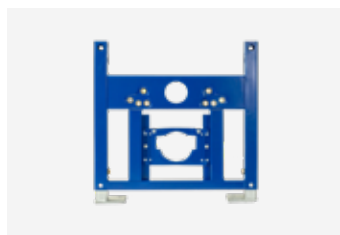
Spare parts

If a situation arises where you require replacement components outside of a maintenance contract, there may be provision to obtain spare parts. Providing the components are under warranty and the parts have become non-functioning during normal use within their assumed usable life, they may be replaced. Should a replacement mains power supply be required it is imperative that an identical type is used. Contact **The Splash Lab** for further information.

Related products



WC Flush Valve
TSL.721



WC Frame
TSL.WCFRAME