

# Toilet Paper Holder

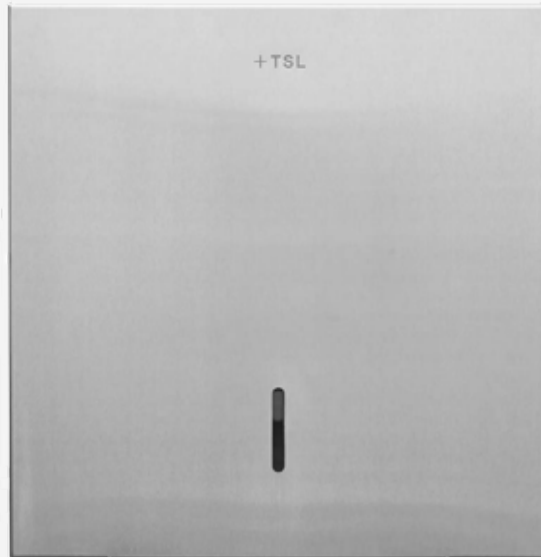
TSL.842

A wall-mounted toilet paper holder made from AISI 304 type stainless steel in a brushed satin finish. Housing hinges open at flush lock for easy refilling.

Finish	Codes	LRV*
● Black	TSL.842.BK	3
● Brass	TSL.842.BR	40
● Satin	TSL.842.CS	58
● Copper	TSL.842.CP	19

Light Reflectance Value\*

+ Satin



+ Black



+ Brass



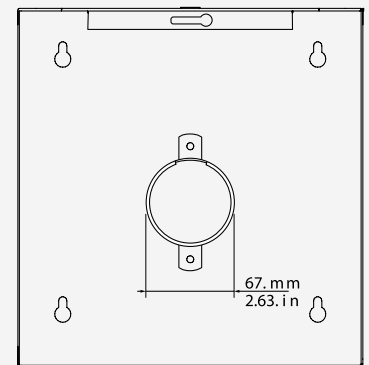
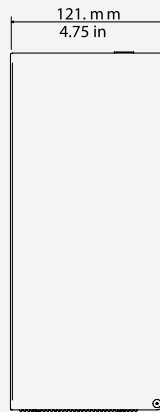
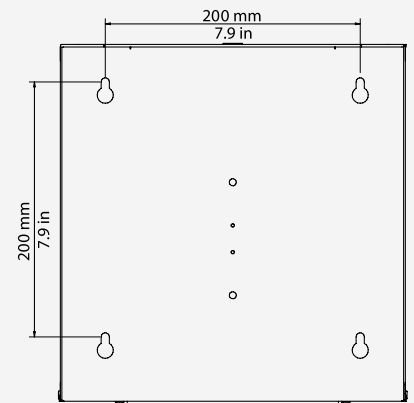
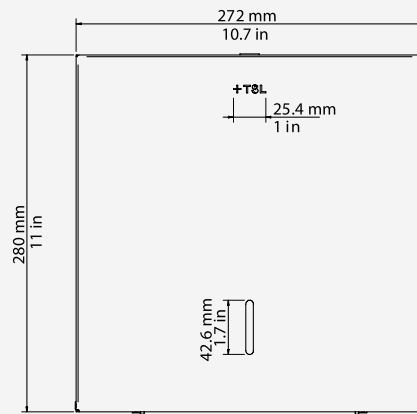
+ Copper



## Included

TSL.842 Toilet Paper Holder

## + Technical drawing



## Not included

C-Fold paper Towels

## Technical Data

Weight	1.9kg
Stainless steel	AISI304

## Related documents

Installation and maintenance manual

Warranty document

To obtain these documents please email  
[info.uk@thesplashlab.com](mailto:info.uk@thesplashlab.com)

## Installation requirements

Substrate - Must be fixed to a hard surface. Drywall anchors included

## Spare parts

There are no user serviceable parts.

## Warranty

2 Years from date of purchase