

L-R89 Hand Dryer

Air Fury R1 High Speed Hand Dryer. The Air Fury R1 is a semi-recessed, warm air hand dryer, with a dry time of only 10-12 seconds. It has variable air speed and heating element, and is excellent in areas where space is a premium.



Codes	Voltage	Frequency	Amps	Output Air Temperature
L-R89	220-240V	50Hz	8A	55°C (131°F)
L-R89-120	110-120V	60Hz	12A	50°C (108°F)

Technical Data

Finishes	CS (Satin)
Consumption:	1600W
Drying time	10 - 12 seconds
Weight:	9.8Kg (21lb 9.7oz)
Stainless steel	304 grade
Noise level	78dB at 1m (39")
Air speed	75-100m/s (246-328ft/s)
Heating element	900W
Motor type	Brush
Motor speed	12000 - 18000 rpm (adjustable)
Air flow	125.5 m ³ /h (411 ft 8 ¹⁵ / ₁₆ "3/h)
Sensor range	100mm (4") vertically under outlet
Approvals / insulation:	Class 1 earthed, TUGGS approved, ROHS complaint, CE marked in accordance with EEC harmonised documents IPX1 rated.
Warranty	5 years parts, 1 year labour (from date of purchase). This excludes brushes as they are a wearing part and dependant on usage.

Installation Guidelines

Fixing height	1000mm (39 $\frac{3}{8}$ ") from floor
Washroom layout	Number of hand dryers to be fitted – in toilet areas with normal frequency one dryer for two washbasins. In high frequency toilet areas two dryers per three washbasins. In very high frequency washrooms one dryer per one washbasin. Mounting template included with dryer. Ideal location – between washbasins and exit. Recommended substrate is a solid wall. If installed on a stud/plasterboard wall, sound levels are likely to exceed 78dB.

Compliance

TUGGS

RoHS

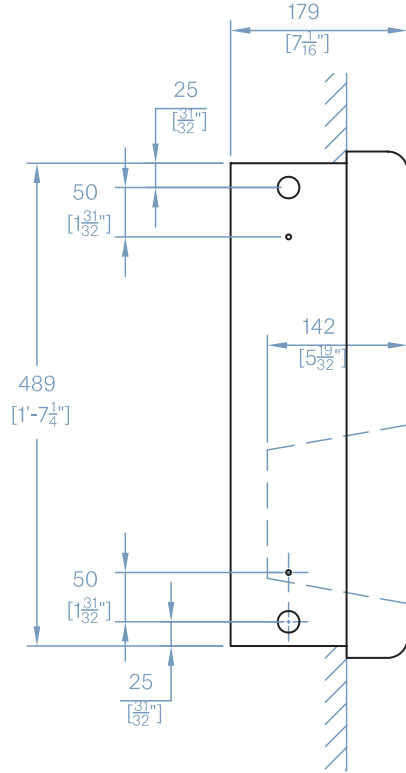
CE

UL

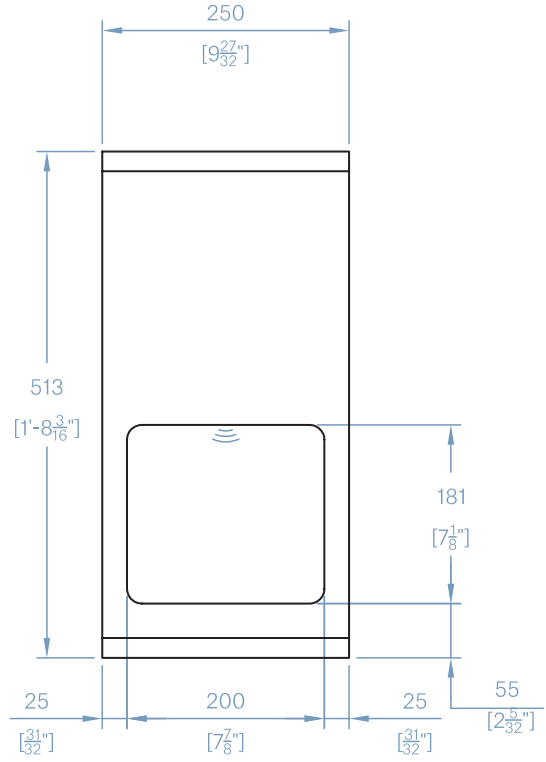
Related Documents

Installation manual	email: technical@lovair.com
Operation and maintenance manual	email: technical@lovair.com
Warranty document	email: technical@lovair.com

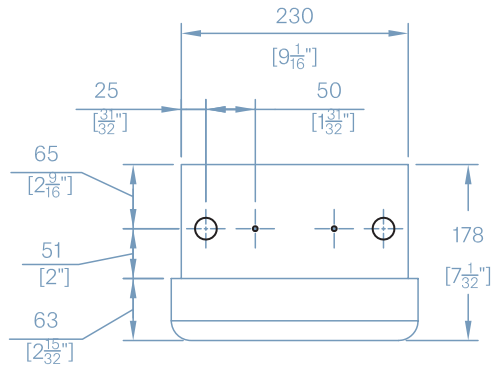
Side



Front



Top



Fixing Locations