
L-221

Toilet Brush

The L-221 is a cylindrical toilet brush and holder in stainless steel, and can be floor standing or wall mounted.



Codes

L-221

Technical Data

Finishes	C (Chrome) / CS (Satin) / W (White)
Warranty	2 years from date of purchase
Weight	1.12Kg (2lb 7oz)
Stainless steel grade	304

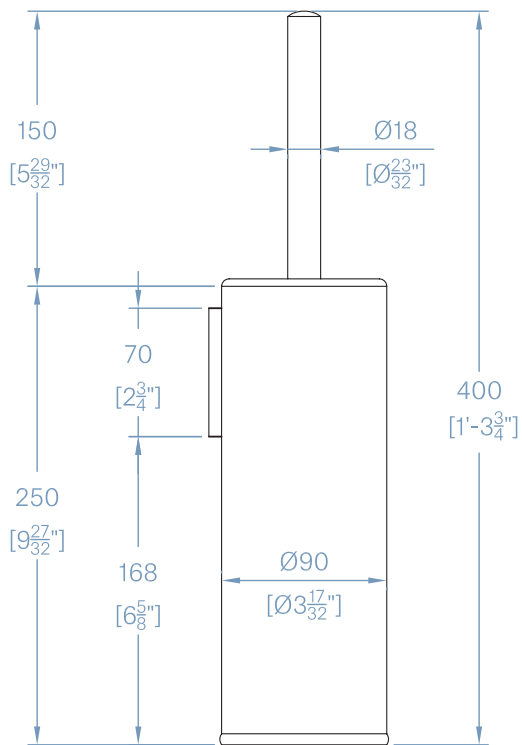
Spare Parts

There are no user serviceable parts.

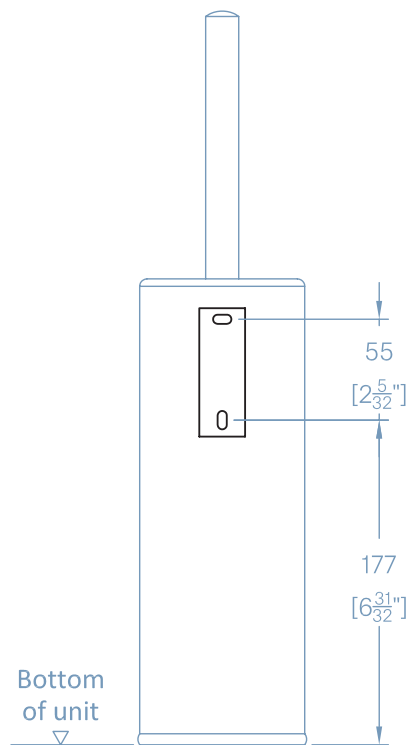
Related Documents

Installation manual	email:info.uk@thesplashlab.com
Operation and maintenance manual	email:info.uk@thesplashlab.com
Warranty document	email: info.uk@thesplashlab.com

Side



Fixing Locations



Top

