

L-791

Toilet Roll Holder

The L-791 is a double toilet roll holder, which is lockable with a viewing window.



Codes

L-791

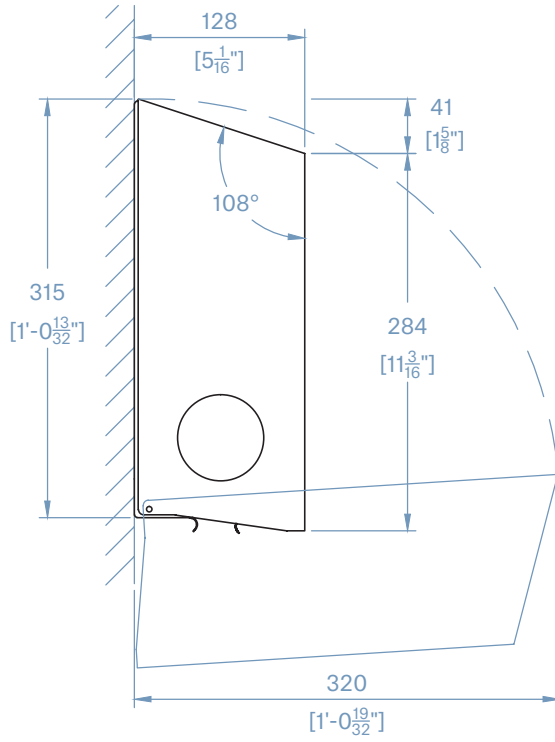
Technical Data

Finishes	C (Chrome) / CS (Satin) / W (White)
Warranty	2 years from date of purchase
Capacity	2 rolls (Max size - 130mm dia x 110mm width x 35mm dia core)
Weight	1.52Kg (3lb 6oz)
Stainless steel grade	304

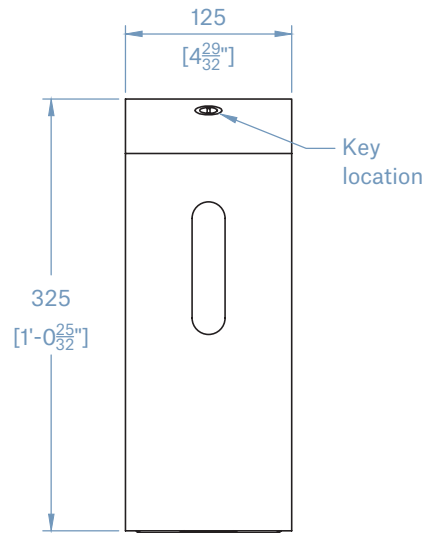
Related Document

Installation manual	email: technical@lovair.com
Operation and maintenance manual	email: technical@lovair.com
Warranty document	email: technical@lovair.com

Side



Front



Fixing Positions

