

8 7 6 5 4 3 2 1

F

F

E

E

D

D

C

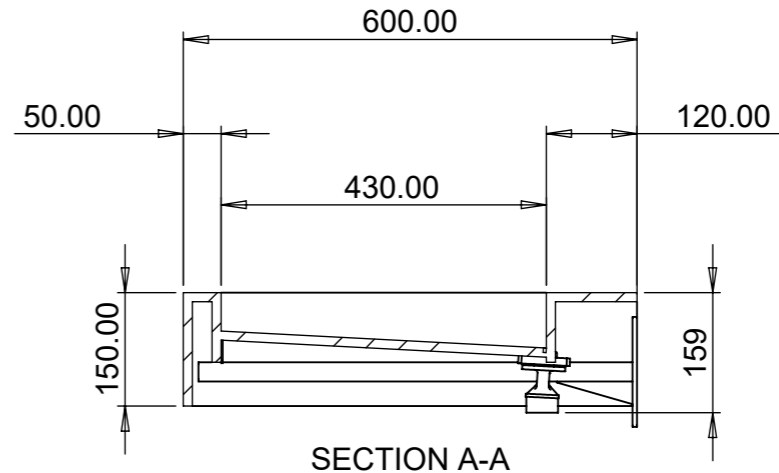
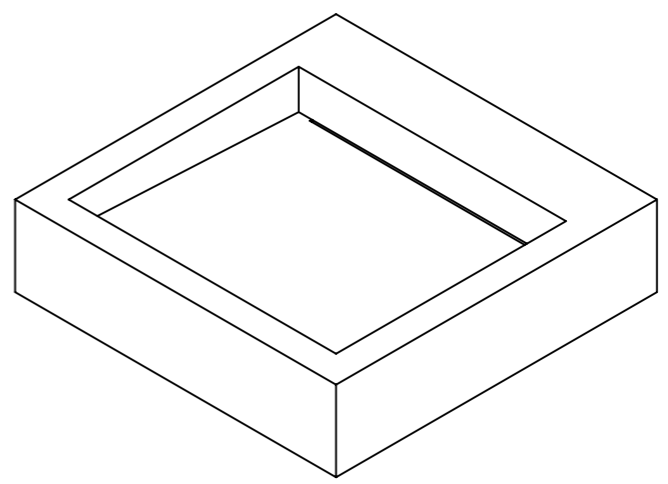
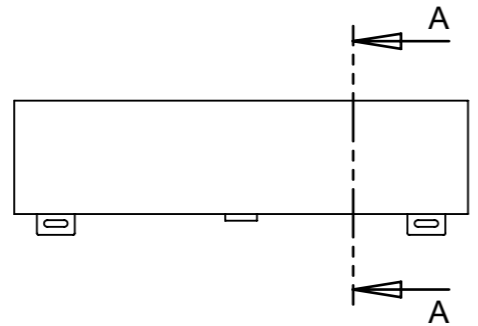
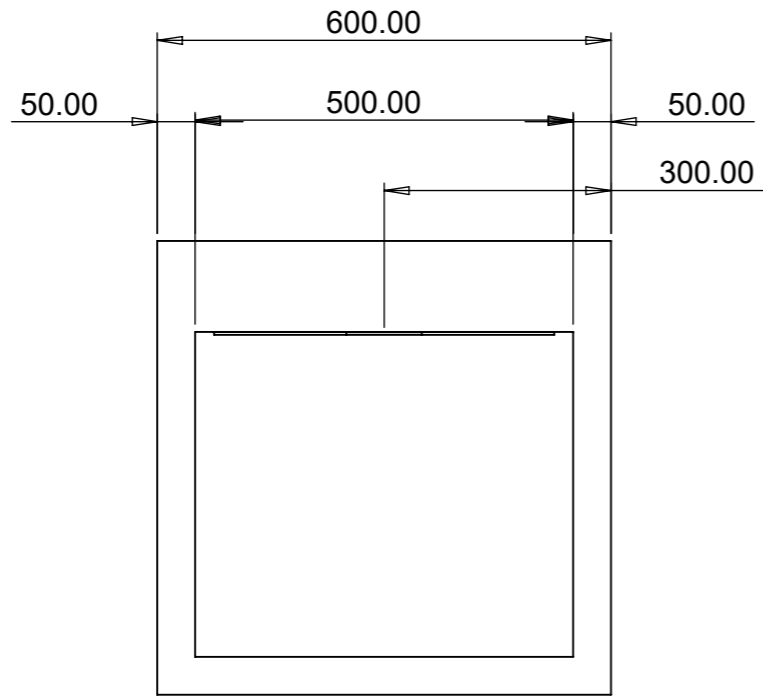
C

B

B

A

A



ITEM NO.	PART NUMBER	MATERIAL	COLOUR	QTY.
2	TSL MONOLITH - CONTINUOUS BASIN MONOLITH TSL.CM60	SOLID SURFACE	WHITE	1
5	TSL MONOLITH - WASTE TRAP MONOLITH 0096	RECYCLABLE POLYPROPYLENE		1
6	TSL STRAIGHT BRACKET	PLAIN CARBON STEEL		2

DRAWING NOTES & REVISION HISTORY

REVISION 1 - AS DRAWN



UNLESS OTHERWISE SPECIFIED, DIMENSIONS ARE IN MILLIMETERS
SURFACE FINISH:
TOLERANCES: +/- 3MM

PROPRIETARY AND CONFIDENTIAL
THE INFORMATION CONTAINED IN THIS DRAWING IS THE SOLE PROPERTY OF THE SPLASH LAB ANY REPRODUCTION IN PART OR AS A WHOLE WITHOUT THE WRITTEN PERMISSION OF THE SPLASH LAB IS PROHIBITED

TSL MONOLITH - DRAWING MONOLITH TSL.CM60

	NAME	SIGNATURE	DATE
DRAWN	TWP		15/07/2022
APPV'D			
QUANTITY	1		
USERS	1		
COLOUR	AS STATED IN BOM		
MATERIAL	AS STATED IN BOM		
WEIGHT	11.69KG		

DO NOT SCALE DRAWING

REVISION 1

TITLE:	TSL.CM60	
CLIENT	MONOLITH	A3
SCALE:1:10	SHEET 1 OF 1	

8 7 6 5 4 3 2 1