

8 7 6 5 4 3 2 1

F F

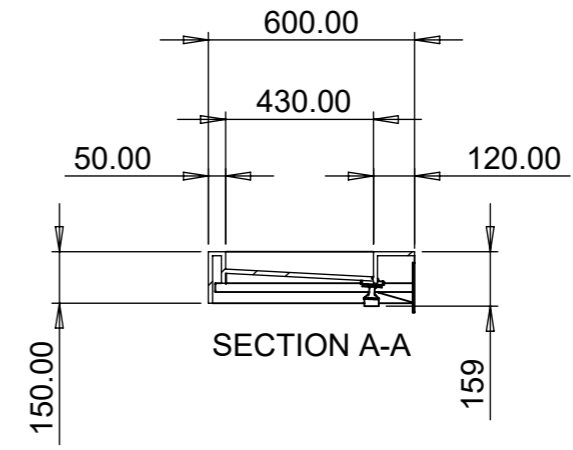
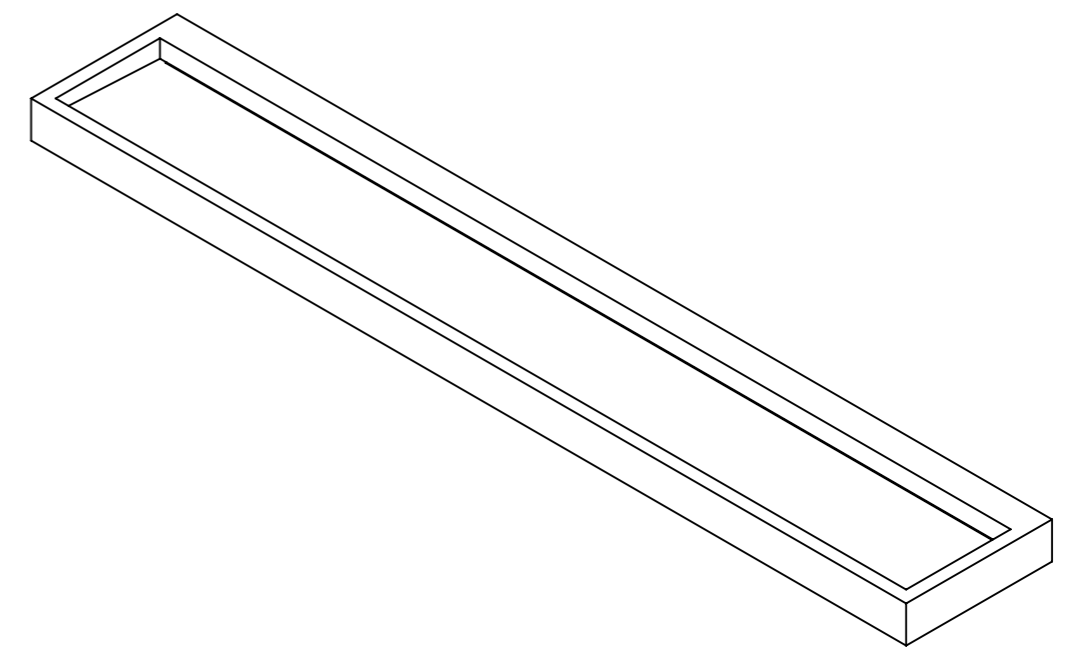
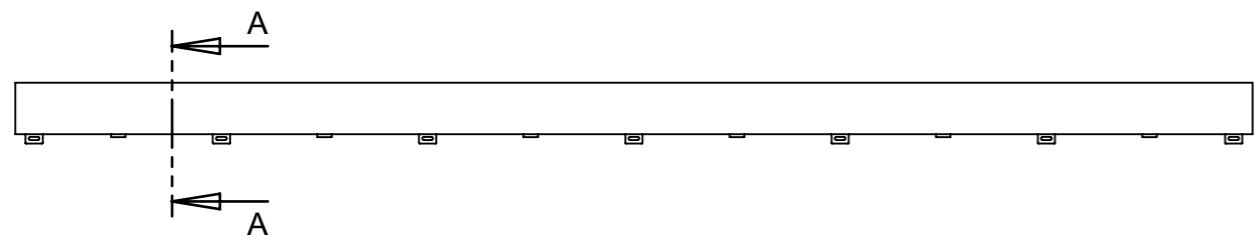
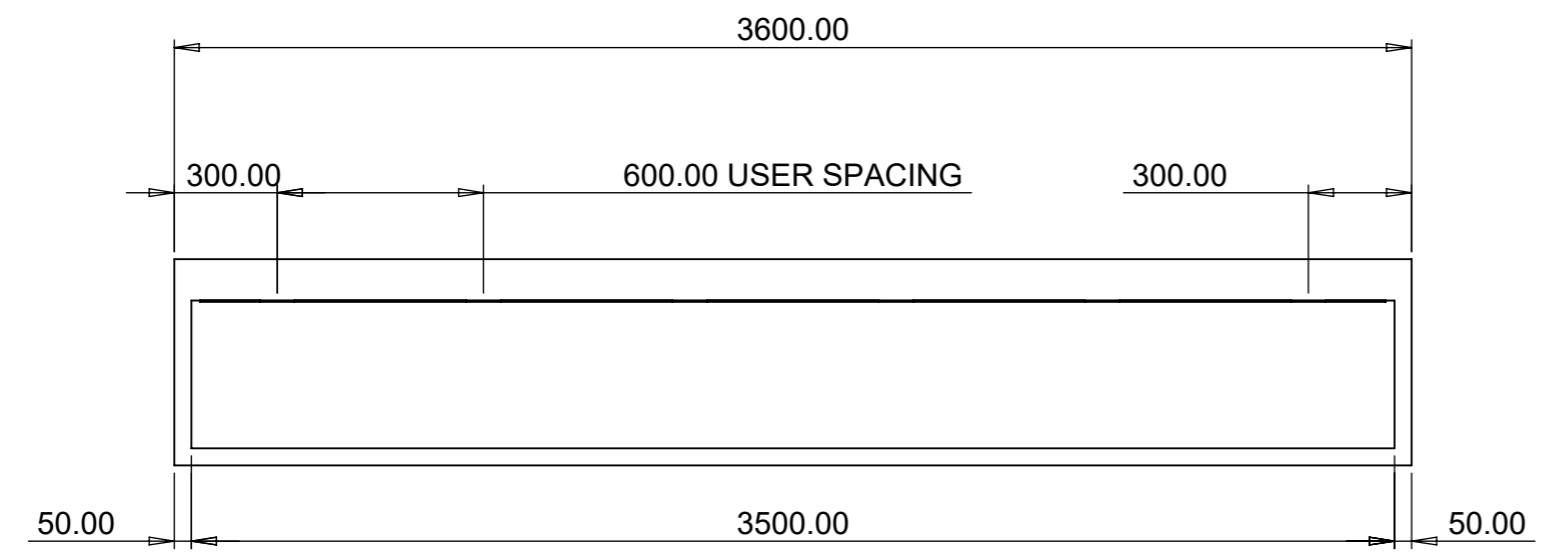
E E

D D

C C

B B

A A



ITEM NO.	PART NUMBER	MATERIAL	COLOUR	QTY.
6	TSL MONOLITH - CONTINUOUS BASIN MONOLITH TSL.CM360	SOLID SURFACE	WHITE	1
7	TSL MONOLITH - WASTE TRAP MONOLITH 0101	RECYCLABLE POLYPROPYLENE		6
8	TSL STRAIGHT BRACKET	PLAIN CARBON STEEL		7

DRAWING NOTES & REVISION HISTORY	
REVISION 1 - AS DRAWN	

**+**  
**THE SPLASH LAB**

UNLESS OTHERWISE SPECIFIED, DIMENSIONS ARE IN MILLIMETERS  
SURFACE FINISH: RECYCLABLE POLYPROPYLENE  
TOLERANCES: +/- 3MM

PROPRIETARY AND CONFIDENTIAL  
THE INFORMATION CONTAINED IN THIS DRAWING IS THE SOLE PROPERTY OF THE SPLASH LAB ANY REPRODUCTION IN PART OR AS A WHOLE WITHOUT THE WRITTEN PERMISSION OF THE SPLASH LAB IS PROHIBITED

TSL MONOLITH - DRAWING MONOLITH TSL.CM360			
	NAME	SIGNATURE	DATE
DRAWN	TWP		15/07/2022
APPV'D			
QUANTITY	1		
USERS	6		
COLOUR	AS STATED IN BOM		
MATERIAL	AS STATED IN BOM		
WEIGHT	51.31KG		

DO NOT SCALE DRAWING		REVISION 1
TITLE: <b>TSL.CM360</b>		
CLIENT	<b>MONOLITH</b>	A3
SCALE:1:22	SHEET 1 OF 1	

8 7 6 5 4 3 2 1