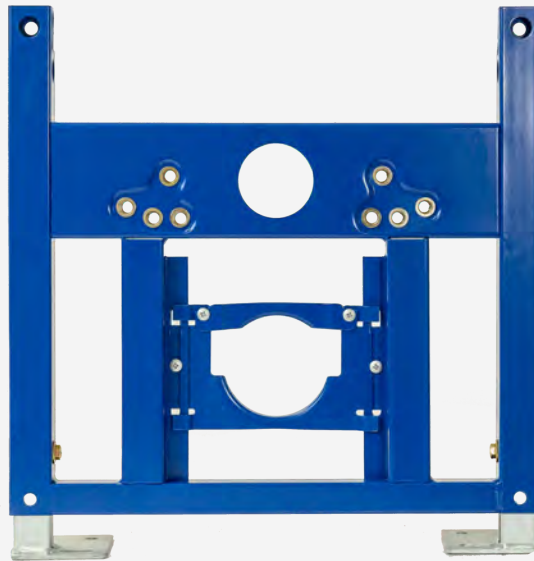


WC Frame

TSL.WCFRAME

The TSL WC Frame provides WC support for the WC while incorporating a concealed cistern and pipework. This frame is compatible with the TSL.721 WC Flush Valve.

+ TSL.WCFRAME



Technical Data

Type	Concealed Frames
Width (mm)	600
Height (mm)	520
Depth (mm)	265
Material	Plastic

Included

- 1 x Wall Hung Support Frame
- 2 x Rubber Sound Deadening Pad
- 6 x M6 x 65mm Coach Bolt
- 6 x White Wall Plug 10mm
- 6 x M6 Washer
- 2 x M10 x 180mm Bolt
- 2 x M10 x 110mm Bolt
- 2 x M8 x 30mm Bolt
- 2 x M8 Washer
- 2 x Unistrut Fixing
- 2 x Wall Fixing Foot
- 2 x Bolt Location Block
- 2 x Bolt Retaining Clip
- 6 x M10 Push Fit Fastening Nut
- 2 x Pan Fixing Bolt
- 2 x Pan Fixing Nut
- 1 x 90° Pan Connector
- 1 x Soil Pipe Extension & Rubber Cone
- 1 x Debris Stopper
- 1 x Flush Pipe Extension & Corrugated Rubber Cone
- 1 x Debris Stopper
- 1 x Greased Sponge
- 2 x Clear Pan Fixing Bolt Shroud
- 2 x WC Pan Installation Bung
- 2 x Chrome Cover Cap

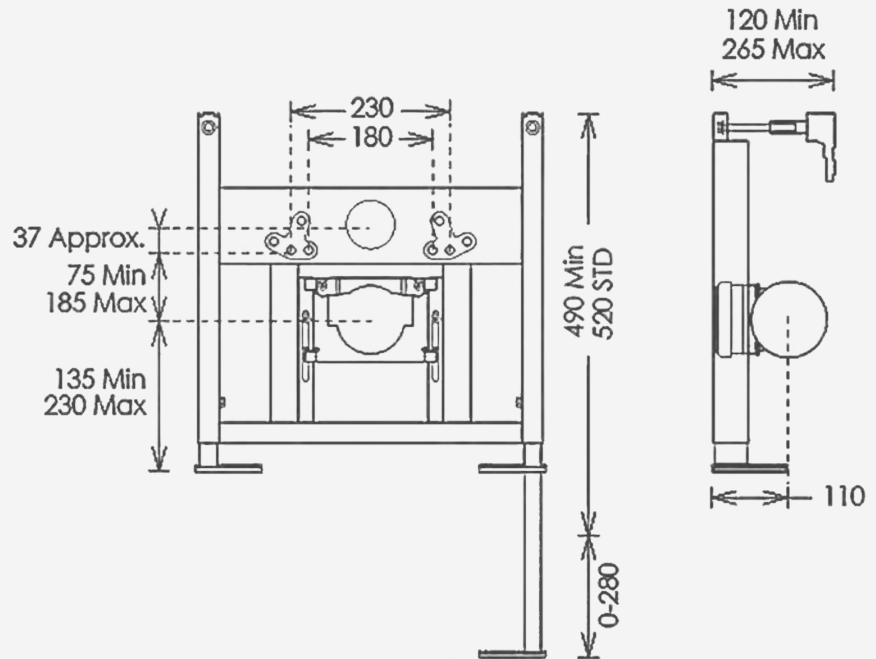
Not included

- TSL.CISTERN
- Tools for installation

Warranty

- 1 year parts and labour

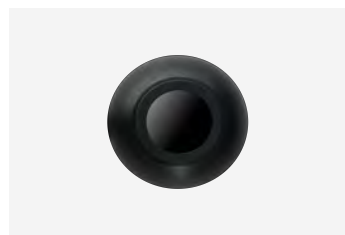
+ Technical drawing



Spare parts

If a situation arises where you require replacement components outside of a maintenance contract, there may be provision to obtain spare parts. Providing the components are under warranty and the parts have become non-functioning during normal use within their assumed usable life, they may be replaced. Should a replacement mains power supply be required it is imperative that an identical type is used. Contact **The Splash Lab** for further information.

Related products



WC Flush Valve
TSL.721



Cistern
TSL.CISTERN