

TSL.680

Unslotted
waste

A stainless steel unslotted basin waste grate, with 7 draining
holes with 1 $\frac{1}{4}$ " pipe connection



CODES	FINISHES	LIGHT REFLECTANCE VALUE
TSL.680.CS	Brushed Stainless Steel	58
TSL.680.CP	Brushed Copper	19
TSL.680.BK	Brushed Black	3
TSL.680.BR	Brushed Brass	40
TSL.680.BZ	Brushed Bronze	17

TECHNICAL DATA

Stainless steel grade	AISI304
Flange diameter	62mm
Length	88mm
Pipe connection	1 $\frac{1}{4}$ " BSP
Weight	0.33kg
Warranty	1 year

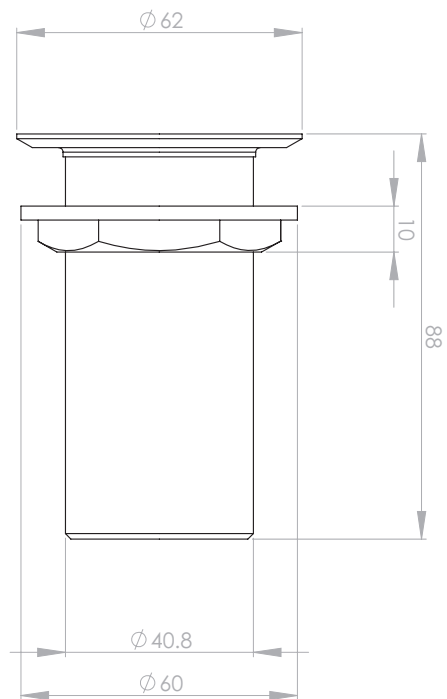
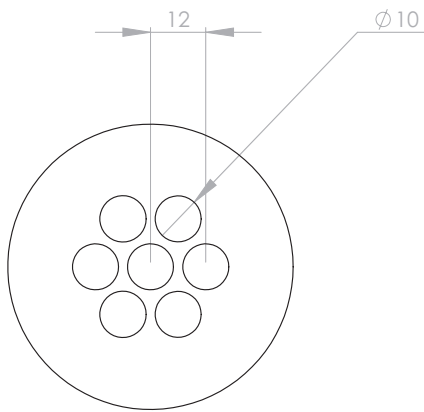
RELATED PRODUCTS

Bottle Trap	TSL.650
Domed pop-up waste	TSL.670
Domed fixed waste	TSL.671
Domed pop-up waste (no overflow)	TSL.672

RELATED DOCUMENTS

Installation and maintenance manual	email: technical@thesplashlab.com
Warranty document	email: technical@thesplashlab.com

TECHNICAL DRAWING

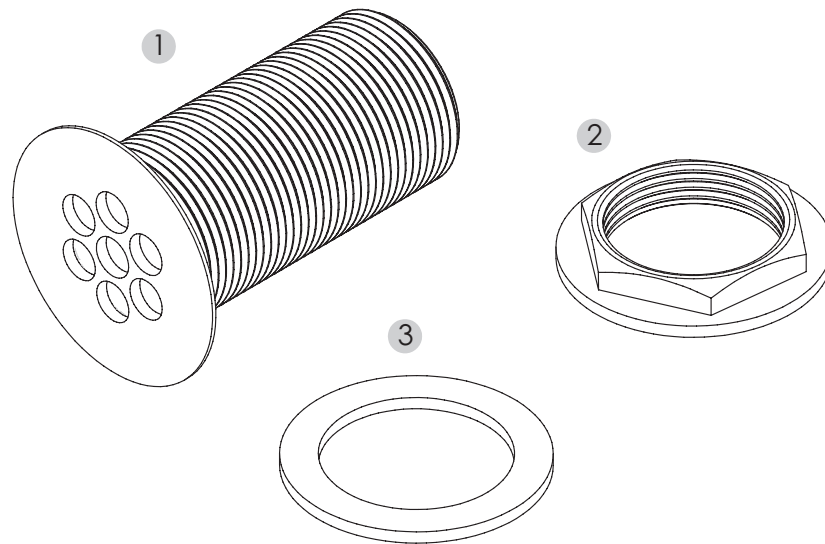


PRE - INSTALLATION INFORMATION

The waste grate is to be connected to a standard 1 $\frac{1}{4}$ " trap.

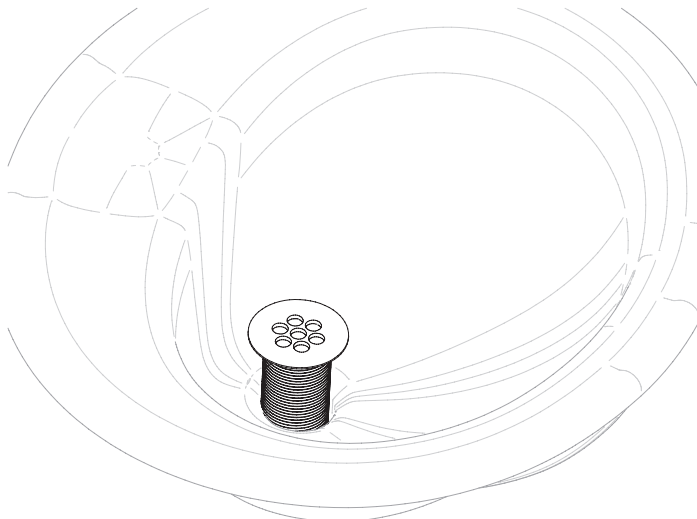
PACK CONTENTS

1. Waste grate body
2. Fixing nut
3. Sealing washer



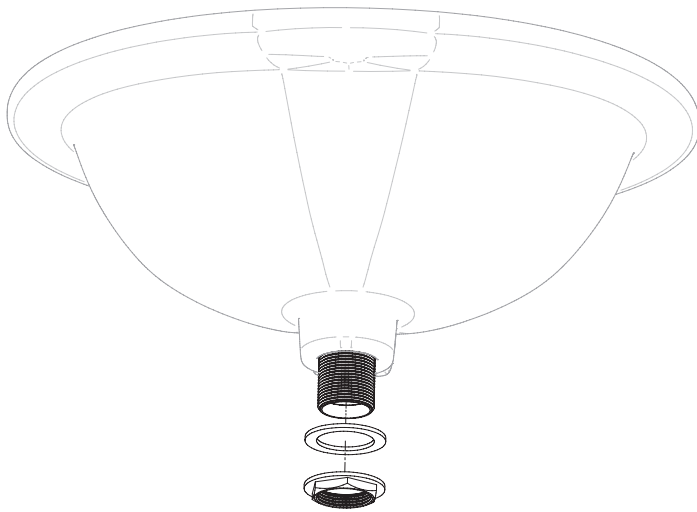
INSTALLATION INSTRUCTION

1. Fit waste from into basin from the top

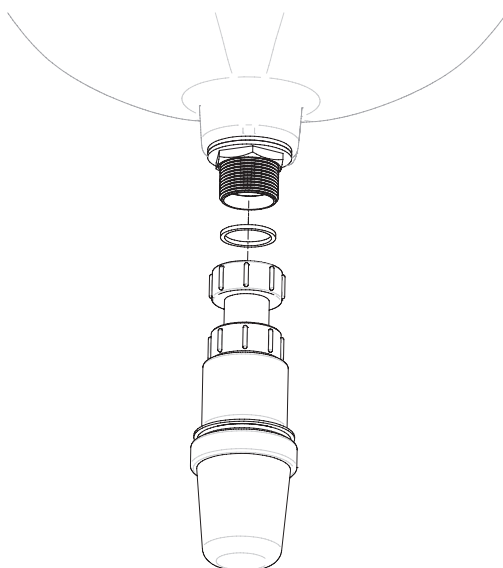


INSTALLATION INSTRUCTION

2. Slide sealing washer over thread below basin, and the attached fixing nut and tighten. Take care not to over-tighten as damage may result to the basin.



3. Fit waste trap to waste grate, following the trap installation guide



MAINTENANCE

As part of the janitorial routine, any debris or hair that has collected on the surface of the waste grate should be cleared away to ensure water drains away freely from the basin.

CLEANING

All grades of stainless steel will stain or discolour if due care and attention is not taken. The surface must be regularly cleaned to ensure a long service life of the waste grate.

Use a soft cloth or sponge with a mild solution of soapy water as part of the regular washroom janitorial routine. Do not use abrasive or cream cleaners as these will damage the surface finish.

If the waste grate is subjected to a highly chlorinated environment eg swimming pools or marine coastal locations, a further treatment, in addition to the regular cleaning as described above, is recommended by the application of a household cleaning product containing silicone.

WARRANTY

The Splash Lab warrant that its products will be free of manufacturing and material defects during normal use and environmental conditions as detailed below:

TSL.680: 2 years parts & labour

If a defect is found in normal use, The Splash Lab will, at their discretion, repair, provide a replacement part or product, or make appropriate adjustments. Damage caused by accident, misuse, or abuse is not covered by this warranty. Improper care and cleaning will void the warranty.

Non-operation of the product due to environmental conditions beyond our control, installation error, incorrect maintenance, water quality, fair wear and tear, incorrect or inappropriate installation, misuse and abuse is not covered by the warranty.

Proof of purchase (original sales receipt) must be provided to The Splash Lab with all warranty claims.

The above warranty is valid for goods supplied within the United Kingdom.

For goods supplied outside of the United Kingdom, The Splash Lab will honour the above stated warranty periods for the parts only.

THE SPLASH LAB DISCLAIM ANY LIABILITY FOR SPECIAL, INCIDENTAL OR CONSEQUENTIAL DAMAGES.