

TSL.R.010

Ribbon Soap
Dispenser

Fully compatible with the The Splash Lab Soap Refill System, the automatic foaming nozzle reliably produces a precise dose of soap every time. The system is easily maintained, with the foaming nozzle simple and quick to replace.



CODES	POWER SUPPLY	FINISH	LIGHT REFLECTANCE VALUE
TSL.R.010.C	Mains	Bright Polished Stainless steel	58
TSL.R.010.CS	Mains	Brushed Stainless steel	51

TECHNICAL DATA

Weight	-1Kg (2lb 3oz)
Recommended soap viscosity	Foam soap - <10cPs. Not suitable for liquid soaps, alcohol gels or hand sanitisers.
Stainless steel grade	AISI 304 Stainless steel
Sensor range Preset	70 mm (2 3/4") (adjustable). Min range 60mm (2 3/8") - Max range 400mm (15 3/4")
Security cut-off	30 seconds
Power supply - mains	Input: 100 - 240V AC; 50 - 60Hz; 1.2A Output: 12V DC; 1A; 12W max Waterproof connector to sensor lead
Warranty	3 years parts and 1 year labour (from date of purchase)
Recommended soap system	The Splash Lab automatic soapfeed system (System60)

INSTALLATION REQUIREMENTS

Counter-top cut-out (dia)	Ø32mm (1 17/64")
Maximum countertop thickness	35mm (1 3/8")
Anti-rotation collar	Included
Reflective surfaces	Not to be installed above highly polished basins
Access requirements	Pumps and transformers must be accessible at all times for servicing Soap reservoir must also be accessible for routine replenishment
Cabling	3 amp fused spur to IP68 rated transformer; low voltage push fit connector to soap dispenser
Power supply	It is recommended that the sensors are installed on their own circuit

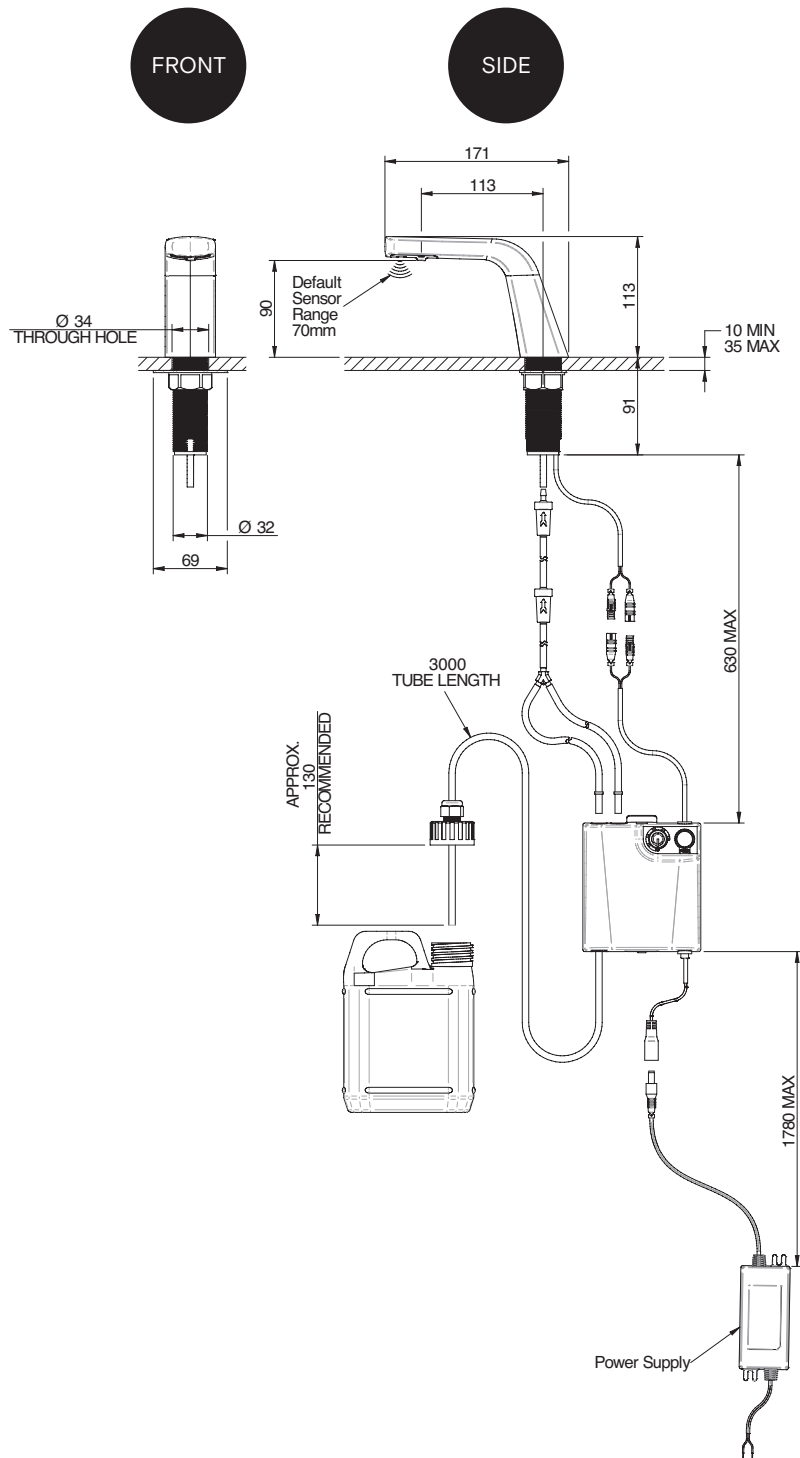
COMPLIANCE

Approvals pending for use in UK, USA, Sweden, Denmark

RELATED PRODUCTS

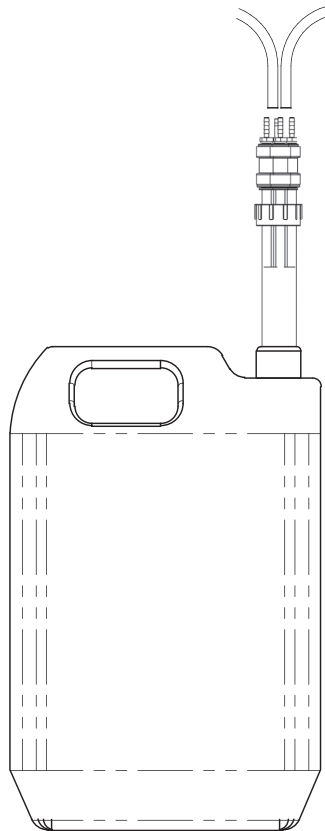
Ribbon tap	TSL.R.020
Ribbon dryer	TSL.R.030

TECHNICAL DRAWING



OPTIONAL ACCESSORIES

Multifeed kit	LB5L	5 litre reservoir
	LSFPP4	4-feed pick-up manifold



Up to 4 dispenser feed pipes can be connected to 1 manifold. The LSFPP4 manifold is simply placed in the neck of the 5litre reservoir (LB5L)