

# Straight Grab Bar – 600mm

TSL.GR45.600

The TSL.GR45.600 is a 600mm straight grab bar, which comes with concealed fixing roses.

Finish	Codes	LRV*
● Black	TSL.GR45.600.BK	3
● Brass	TSL.GR45.600.BR	40
● Satin	TSL.GR45.600.CS	58
● Copper	TSL.GR45.600.CP	19

Light Reflectance Value\*

**+ Satin**



**+ Black**



**+ Brass**



**+ Satin**



**+ Copper**



**Technical Data**

---

Warranty 1 Year from date of purchase

---

Weight 1.78Kg

---

Stainless steel grade 304

---

**Installation requirments**

---

All rails must be fixed to a suitable wall substrate to allow correct use to be made of the rails. The Splash Lab recommend that installers contact a fixings specialist for advice to ensure the correct fixings are used for the location. Fixings not included with rail.

---

**Compliance & certificates**

---

The TSL.GR45.600 grab rail can be used to form part of a DDA compliant washroom, if installed in accordance with the current guidelines in force.

---

## Included

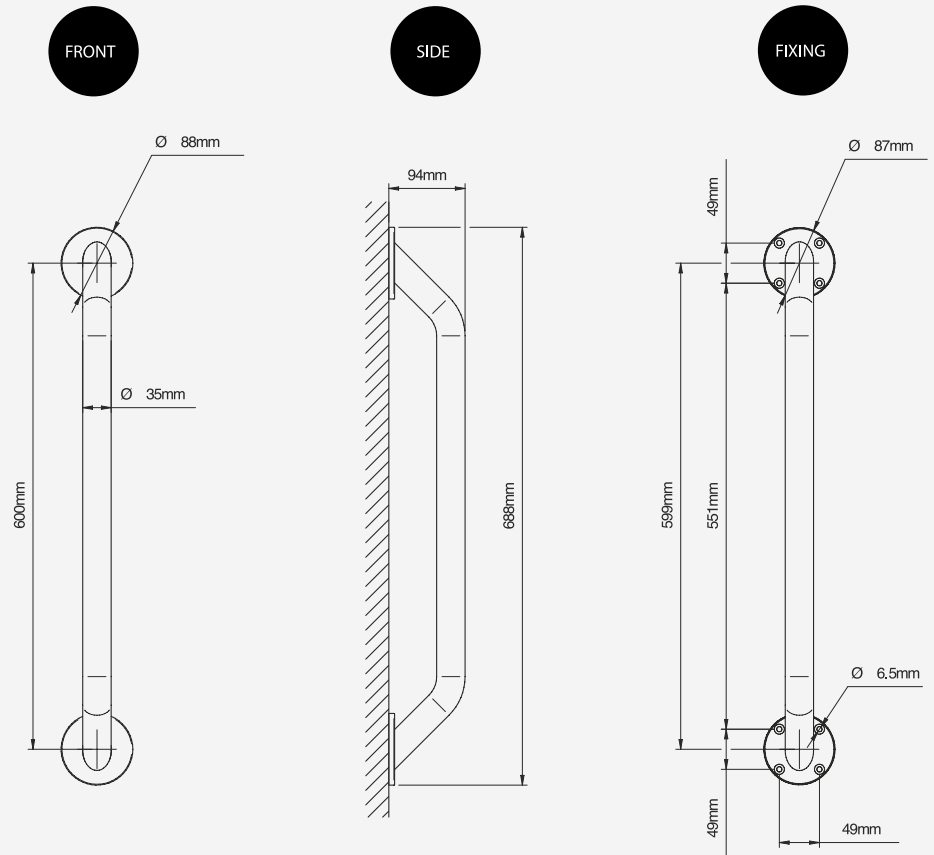
TSL.GR45.600 Grab Bar

Concealed fixing roses

## Warranty

1 Year from date of purchase

## + Technical drawing



## Spare parts

If a situation arises where you require replacement components outside of a maintenance contract, there may be provision to obtain spare parts. Providing the components are under warranty and the parts have become non-functioning during normal use within their assumed usable life, they may be replaced. Should a replacement mains power supply be required it is imperative that an identical type is used. Contact **The Splash Lab** for further information.

## Related products



**Grab bar**  
TSL.GR45.450



**Hinged grab bar**  
TSL.GR45