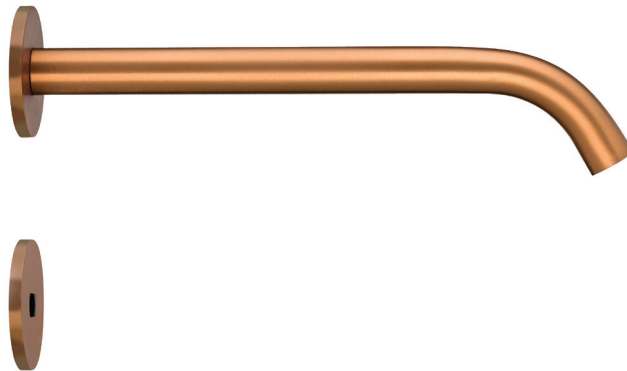


TSL-882	IR Sensor Tap - Mains power	The TSL-882 and TSL-885 IR Sensor Tap features a sleek wall mounted spout with accompanying sensor housing and is available in a range of finishes.
TSL-885	IR Sensor Tap - Battery power	



CODES

MAINS POWER	BATTERY POWER	FINISHES	LIGHT REFLECTANCE VALUE
TSL-882CS	TSL-885CS	Brushed Stainless Steel	58
TSL-882CP	TSL-885CP	Brushed Copper	19
TSL-882BK	TSL-885BK	Brushed Black	3
TSL-882BR	TSL-885BR	Brushed Brass	40
TSL-882BZ	TSL-885BZ	Brushed Bronze	17

TECHNICAL DATA MECHANICAL

Body Material	AISI 304 Stainless Steel
Coating Type	PVD
Aerator	Cascade
Water Pressure (Dynamic)	0.5 to 7.5 Bar [0.05 to 0.75MPa]
Water Temperature (max)	60°C
Flow Rates	0.5gpm [1.9L/min]
Also available:	0.35gpm [1.3L/min] – refer to Spare Parts & Accessories
	1.00gpm [3.8L/min] – refer to Spare Parts & Accessories

TECHNICAL DATA ELECTRICAL

Power supply	TSL-882 110-230 Vac, 50-60Hz, 1.5A TSL-885 6 V CR-P2 Lithium battery
Output (max)	6 Vdc, 1A
Power consumption	< 87% Active mode, 0.3W No load
Solenoid valve type	6V Latching
Water Ingress	IP55
Cable lengths	800mm – Power supply connection 800mm – Solenoid valve connection

TECHNICAL DATA SENSOR FUNCTION

Sensor type	Infrared
Pre-set sensor range	220mm
Sensor range (max)	250mm
Comfort delay	2 sec
Security time-out	30 sec
Operating Temperature	0 to 50°C
Response Time (max)	0.3 – < 1 sec

INSTALLATION GUIDELINES

Wall Cut-out Hole Size	Ø16mm (Spigot) Ø40mm (Sensor Housing)
Depth of Wall Cavity (min)	100mm
Wall Thickness (max)	50mm (incl. finishes)
Plumbing Connection	½" BSP (female) brass fitting is required to connect to the solenoid valve housing
Power supply cable	To be hard wired in to fused connection unit (FCU) or spur
Water supply	1.0 Bar is the recommended minimum pressure for the taps to operate effectively. 7.5 Bar is the maximum pressure for commissioning and is NOT recommended for general use. Gravity-fed systems may require a booster pump to achieve the optimal operating pressure All pipework must be thoroughly cleaned and clear of any debris before connecting the tap.
Washroom layout	Solenoid valve must be accessible for installation, commissioning and ongoing maintenance. Avoid installing the sensor tap directly opposite other sensor taps, soap dispensers, infrared devices or reflective surfaces. Careful consideration should be made when choosing the positioning of lighting and other reflective surfaces which may affect sensor performance.

COMPLIANCE

BREEAM, LEED

WRAS

EMC compliance

Certificate No 1809302

Electromagnetic compatibility directive 2004/108/CE,
and Low Voltage 2006/95/CR

RELATED DOCUMENTS

Installation and maintenance manual

email: technical@thesplashlab.com

Warranty

2 years parts & labour. Contact technical@thesplashlab.com for more details

ACCESSORIES

PART NUMBER

DESCRIPTION

L260051

CACHE-TT AERATOR PCA SPRAY 0.35GPM

L260052

CACHE-TT AERATOR PCA LAMINAR 1.0GPM

L260053

STRAIGHT ADAPTOR (1/2" BSP FEMALE x 1/2" NPT MALE)

L230099

SENSOR WIRED CONTROLLER

L120020

DAISY CHAIN ENCLOSURE

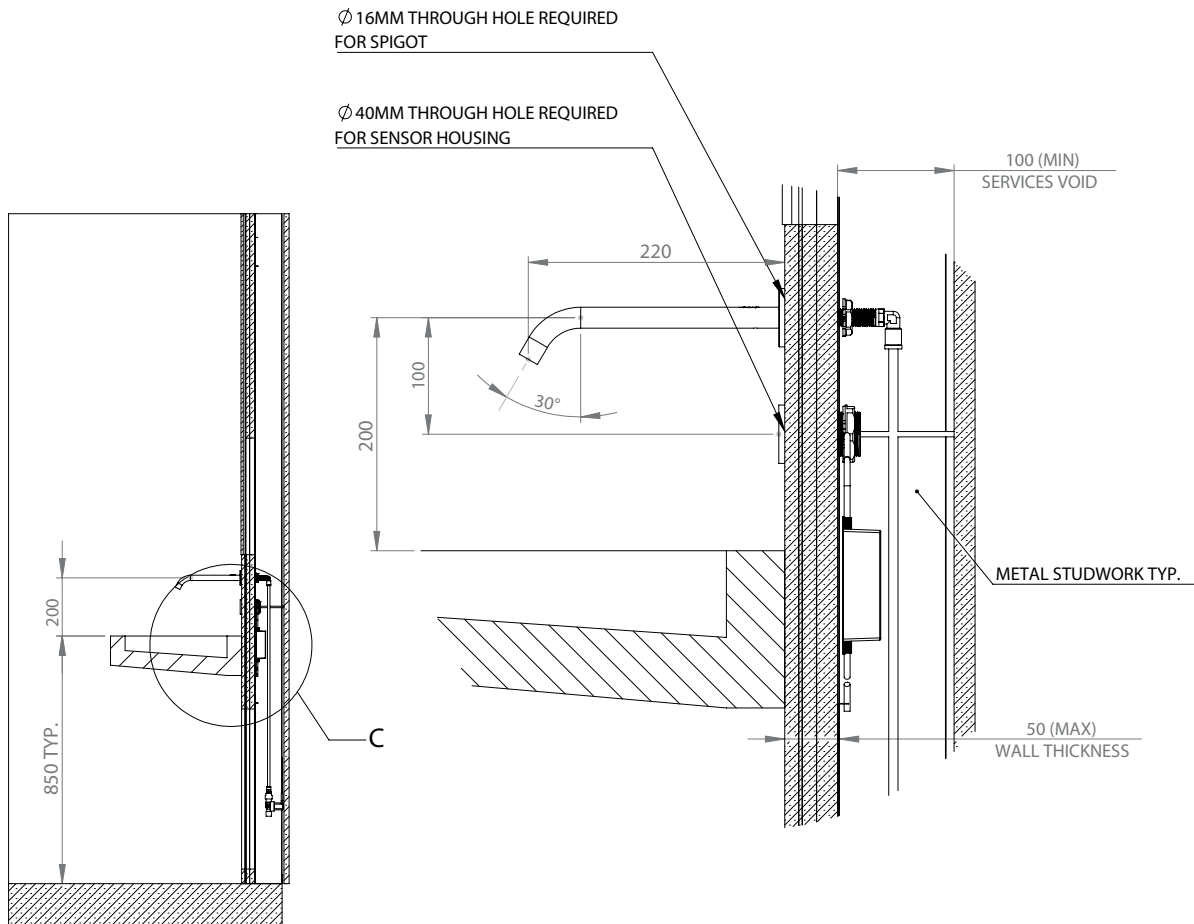
L120021

DAISY CHAIN CONNECTOR CABLE

TECHNICAL DRAWING

SIDE

DETAIL



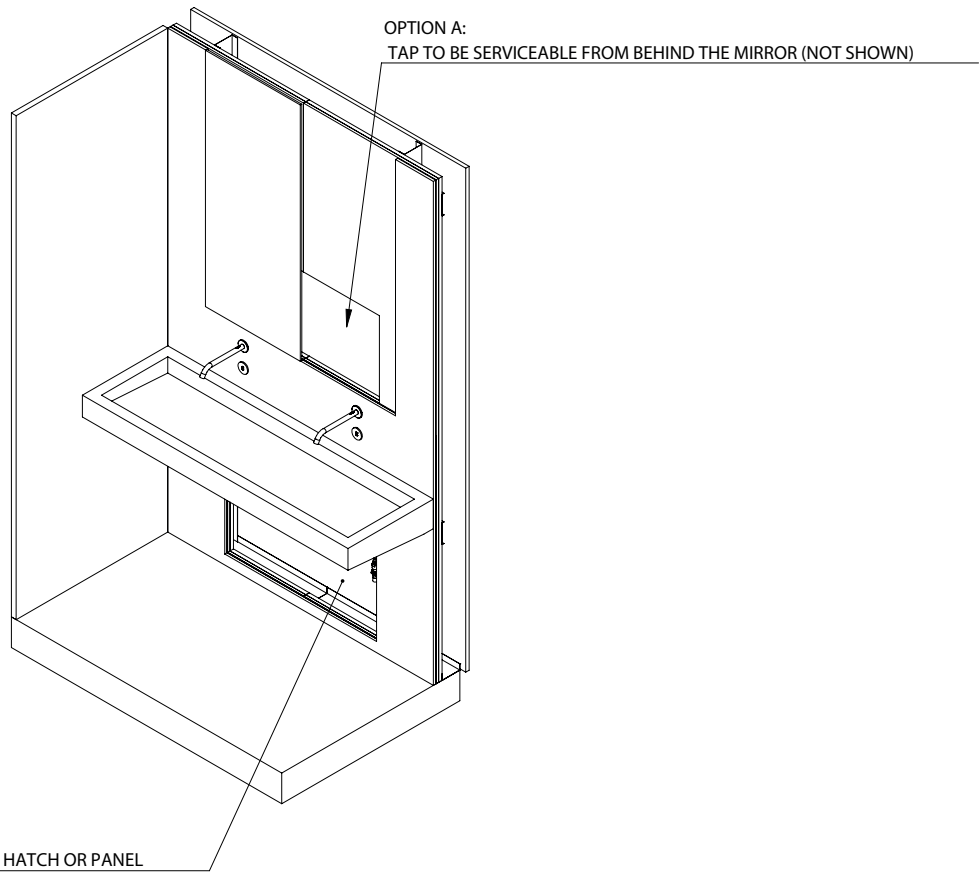
SECTION B-B

DETAIL C
 SCALE 1 : 5

TECHNICAL DRAWING



ACCESSIBILITY REQUIREMENTS



TECHNICAL DRAWING

