

The Nano Plus Sink

TSL.NANO.P

A 30" wide compact wash basin constructed in solid surface with concealed waste and 1 1/4" waste connection. Includes steel supporting wall bracket.

Model	Fixture Holes
TSL.NANO.P.1	1 - water
TSL.NANO.P.2	2 - water, soap
TSL.NANO.P.3	3 - water, soap, air



Technical Data

Material	Solid surface
Support bracket	Powder-coated steel
Finishes	See reference to supplier materials - Hi Macs, Corian, Meganite, etc.

Installation Requirements

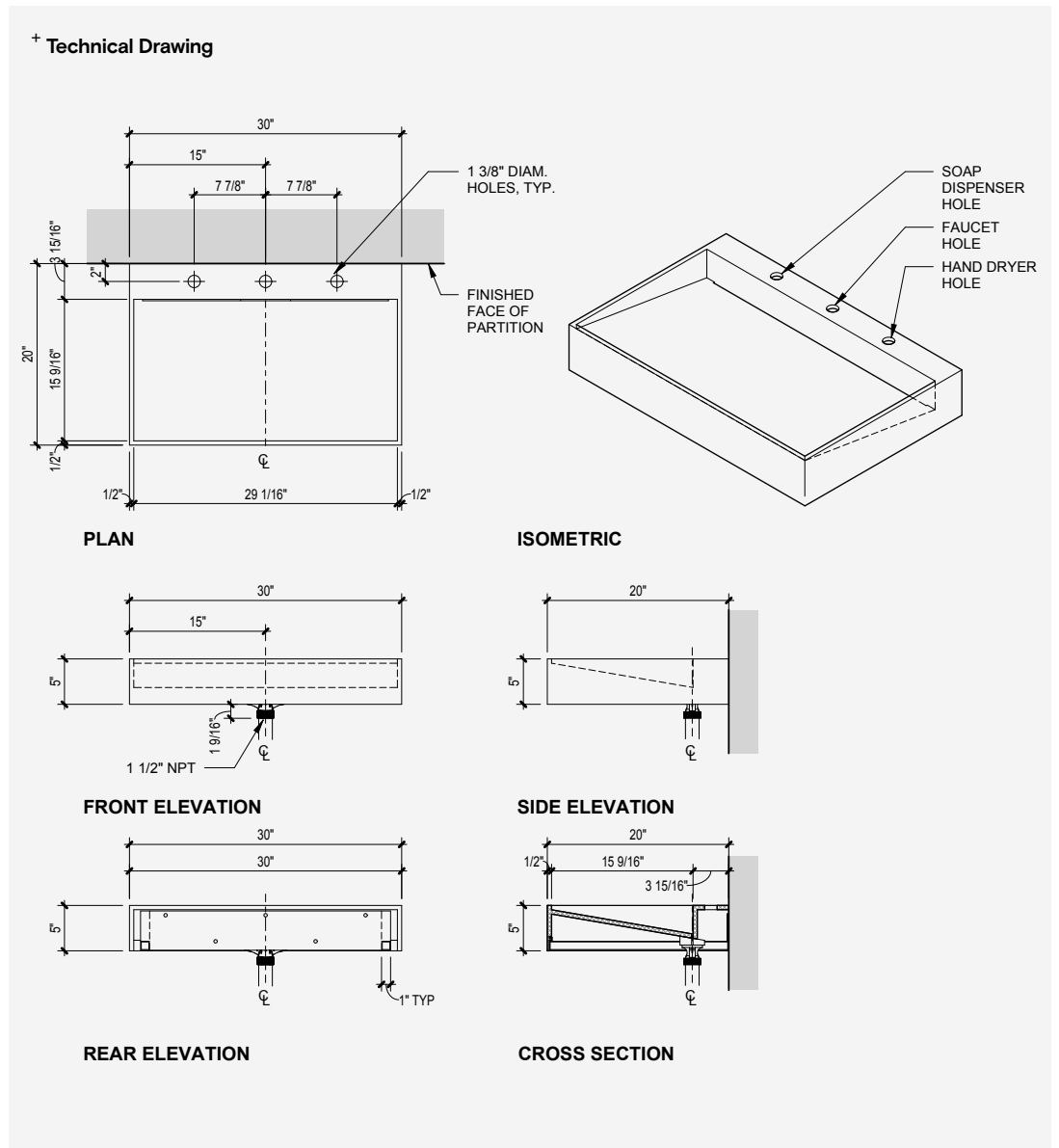
Wall construction	Brackets included. Installer should ascertain that suitable wall substrate is present to allow for the correct support for the Nano Sink.
Fixed height	31.5" to 35.4" from finished floor
Wall fixings	Wall mounting hardware is not included. Installer should use hardware suited to the installation wall substrate.
Plumbing	Connection to 1 1/2" NPT waste outlet required. Installer to provide water for faucets.
Access requirements	When installed with a sensor operated fixture, the solenoid and isolation valves must be accessible for initial installation and commissioning and for ongoing and routine maintenance.

Compliance & Certificates

IRC	2009, 2012, 2015, 2018
IPC	2009, 2012, 2015, 2018, 2021
NPC	2005, 2010, 2015
ADA	Compliant when installed correctly.
WELL	Properly installed, can contribute to Materials and Water standards.
LEED	Solid surface products contribute to LEED v.4 points for Indoor Air Quality.
BREEAM	BREEAM Low VOC solid surface products can contribute to BREEAM rating.

Included

The Nano Sink
TSL.NANO.P



Warranty & Replacement Parts

TSL backs every sink with a lifetime guarantee against material defect.

For warranty terms and conditions please visit www.thesplashlab.com/usa/warranty

For replacement parts, please contact The Splash Lab at info.usa@thesplashlab.com for further information.

Related Products



The Ribbon Soap Dispenser
TSL.R.010



The Ribbon Faucet
TSL.R.020



The Ribbon Hand Dryer
TSL.R.030