

# Double Toilet Roll Holder with Shelf

TSL.47

A double toilet roll holder with integrated shelf to match the Radius Collection accessories.

Finish	Codes
● Black	TSL.47.BK
● Brass	TSL.47.BR
● Satin	TSL.47.CS
● Copper	TSL.47.CP
● Bronze	TSL.47.BZ

+ Satin



+ Black



+ Brass



+ Copper



+ Bronze



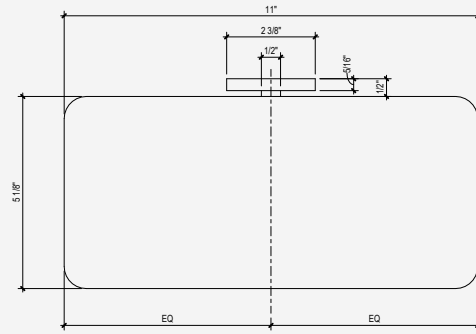
### Included

Double toilet roll holder with shelf

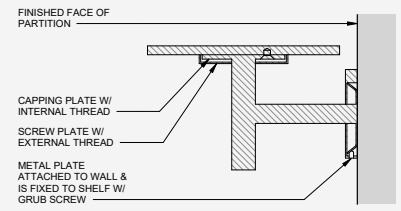
### Not Included

Fixing screws

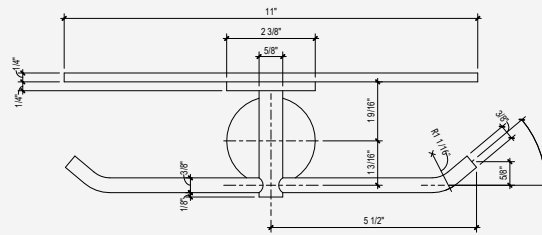
### + Technical Drawing



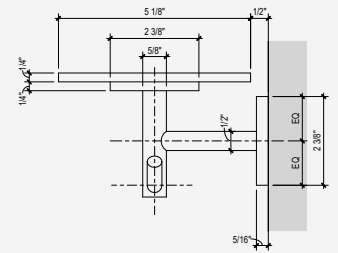
PLAN



SECTION



FRONT ELEVATION



SIDE ELEVATION

### Technical Data

Weight	2.2 lbs
Stainless steel grade	AISI 304

### Installation Requirements

Substrate	Must be mounted to a hard surface with appropriate fixings (not included).
Weight Tolerance	Tested up to 75 lbs TSL is not liable for improper use or installation.

### Warranty

TSL backs every accessory with a lifetime guarantee against material defect in the finish. For warranty terms and conditions please visit [www.thesplashlab.com/usa/warranty](http://www.thesplashlab.com/usa/warranty)

### Replacement Parts

There are no user serviceable parts.