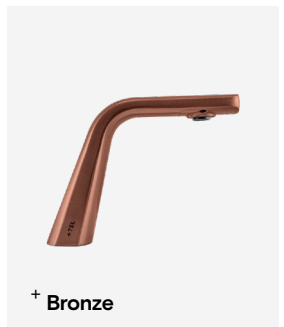
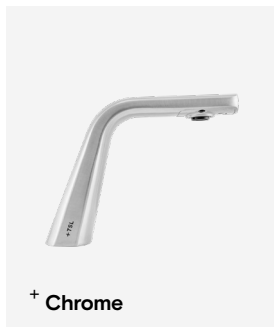
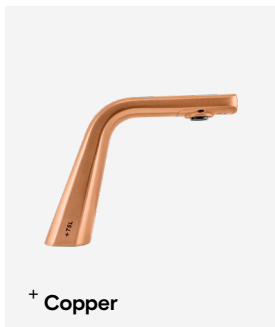
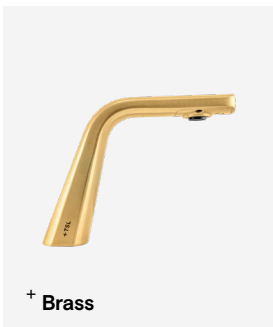
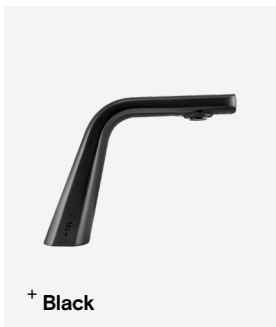


The Ribbon Faucet

TSL.R.020

Deck mounted sensor operated faucet with robust body construction for all types of projects. Available mains or battery powered. To be used in conjunction with the Ribbon dryer and soap dispenser for optimum efficiency.

Finish	Codes
● Black	TSL.R.030.BK
● Brass	TSL.R.030.BR
● Satin	TSL.R.030.CS
● Copper	TSL.R.030.CP
● Chrome	TSL.R.030.C
● Bronze	TSL.R.030.BZ



Technical Data

Minimum operating pressure	7 - 87 psi dynamic pressure
Flow rate	0.35 GPM or 0.5 GPM (Other flow rates available upon request)
Weight	2 lb 3 oz
Material	AISI 304 stainless steel
Sensor range	Preset 5" (adjustable). Min range 3" +/-20% - Max range 5.9" +/-20%
Comfort delay	2 seconds
Security cut-off time	60 seconds
Power supply - mains	Input: 100 - 240V; 50 - 60Hz Output: 6C DC; 0.5A; 3W max.

Installation Requirements

Counter-top cut-out (dia)	1 3/8" diameter
Maximum countertop thickness	1 3/8"
Anti-rotation collar	Included
Reflective surfaces	Not to be installed above highly polished basins or waste outlets
Access requirements	Solenoids, isolation valves and transformers must be accessible at all times for servicing
Cabling	3 amp fused spur to IP68 rated transformer; low voltage push fit connector to faucet
Power supply	For the mains power option, it is recommended that the sensors are installed on their own circuit to avoid interference from other power demands.

Compliance & Certificates

ADA compliant
ASME A112.18.1 / CSA 8125.1-2018
NSF/ANSI 61-2017
NSF/ANSI 372-2016
International Plumbing Code (IPC) 2021, 2018, 2015, 2012 and 2009
International Residential Code (IRC) 2021, 2018, 2015, 2012 and 2009
Uniform Plumbing Code (UPC) 2021, 2018, 2015, 2012 and 2009
National Plumbing Code of Canada (NPC) 2020, 2015, 2010 and 2002
LEED.v4 Compliant for assessment for Water Saving and Efficiency BREEAM 5 credits

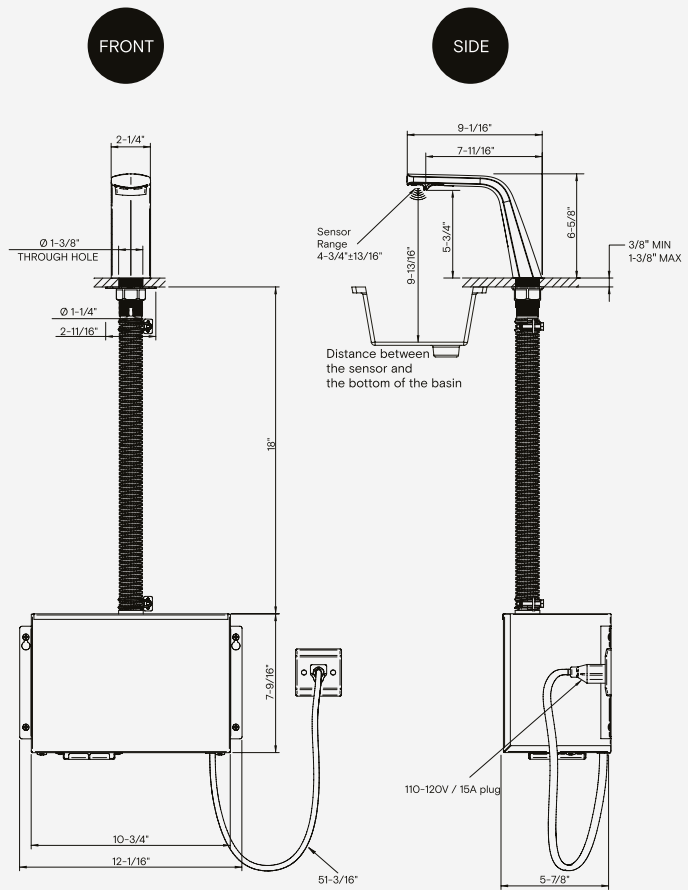
Included

- _____ The Ribbon Faucet
- _____ Ribbon sensor faucet head
- _____ Mains power supply
- _____ Solenoid valve
- _____ Anti-rotation plate #1
- _____ Counter top gasket
- _____ Anti-rotation plate #2
- _____ Fixing nut
- _____ Flow restrictor
- _____ Flex hose - 300mm

Not included

- _____ Sink
- _____ Premixed water (must be supplied prior to installation)

+ Technical Drawing



Warranty & Replacement Parts

TSL backs every fixture with a lifetime guarantee against material defect.

For warranty terms and conditions please visit www.thesplashlab.com/usa/warranty

For replacement parts, please contact The Splash Lab at info.usa@thesplashlab.com for further information.

Part	Code
Sensor Assembly	TSLP.230274
Battery Pack	TSLP.230281

Related Products



The Ribbon Soap Dispenser
TSL.R.010



The Ribbon Hand Dryer
TSL.R.030



The Ribbon Sink
TSL.NANO.R