

Wall-Mounted Toilet Seat Cover Dispenser

TSL.855

A wall-mounted toilet seat cover dispenser made from AISI 304 type stainless steel in a range of finishes. The dispenser loads from the bottom and holds standard 15" x 10" commercial seat covers packages.

Finish	Codes
● Black	TSL.855.BK
● Brass	TSL.855.BR
● Satin	TSL.855.CS
● Copper	TSL.855.CP
● Bronze	TSL.855.BZ

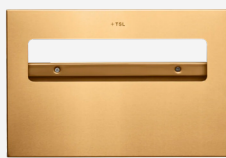
+ Satin



+ Black



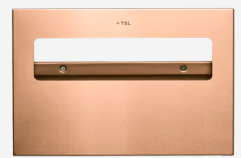
+ Brass



+ Bronze



+ Copper



Included

Waste receptacle

Fixing screws x2

Drywall anchors x2

Not Included

Toilet seat covers

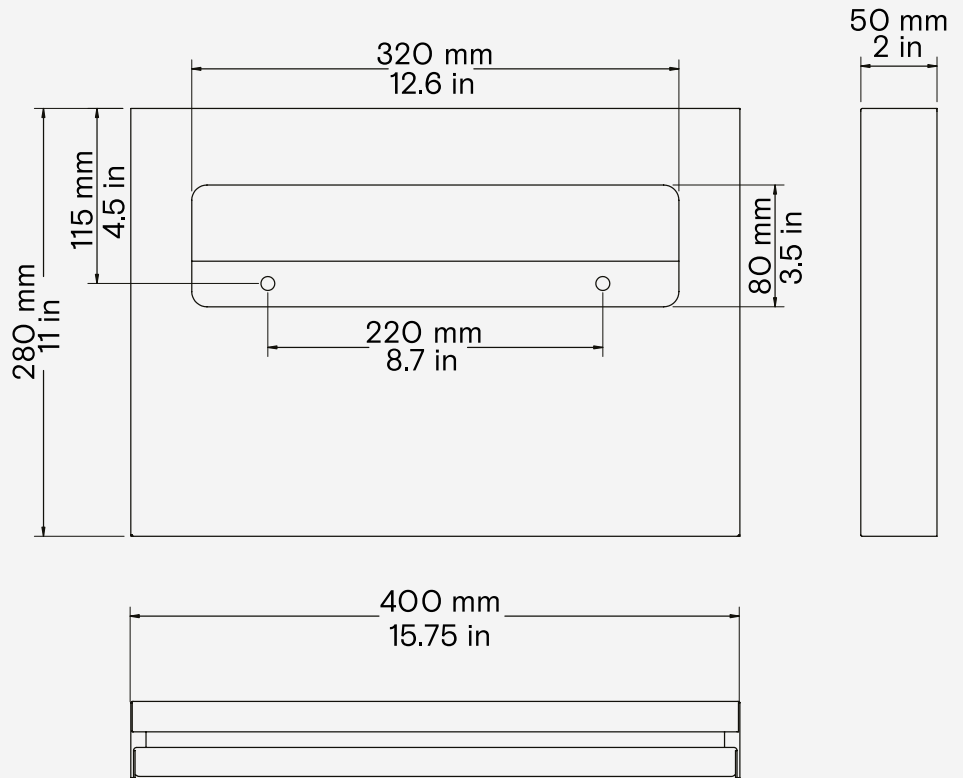
Compliance & Certificates

CE

UL

RoHS

+ Technical drawing



Technical Data

Weight 2.5 lb

Stainless steel grade AISI 304

Installation Requirements

Substrate Must be attached to a stud, backing plate or blocking.

Warranty

TSL backs every accessory with a lifetime guarantee against material defect in the finish.

For warranty terms and conditions please visit www.thesplashlab.com/usa/warranty

Replacement Parts

Please contact The Splash Lab at info.usa@thesplashlab.com for further information.