

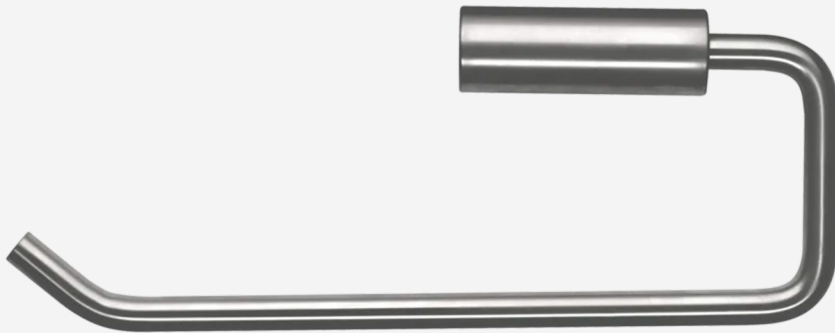
Double Toilet Roll Holder

TSL.46

The TSL.46 is a single toilet roll holder with a concealed fixing, constructed from stainless steel.

Finish	Codes
● Black	TSL.46.BK
● Brass	TSL.46.BR
● Satin	TSL.46.CS
● Copper	TSL.46.CP
● Bronze	TSL.46.BZ

+ Satin



+ Black



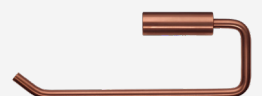
+ Brass



+ Copper



+ Bronze



Included

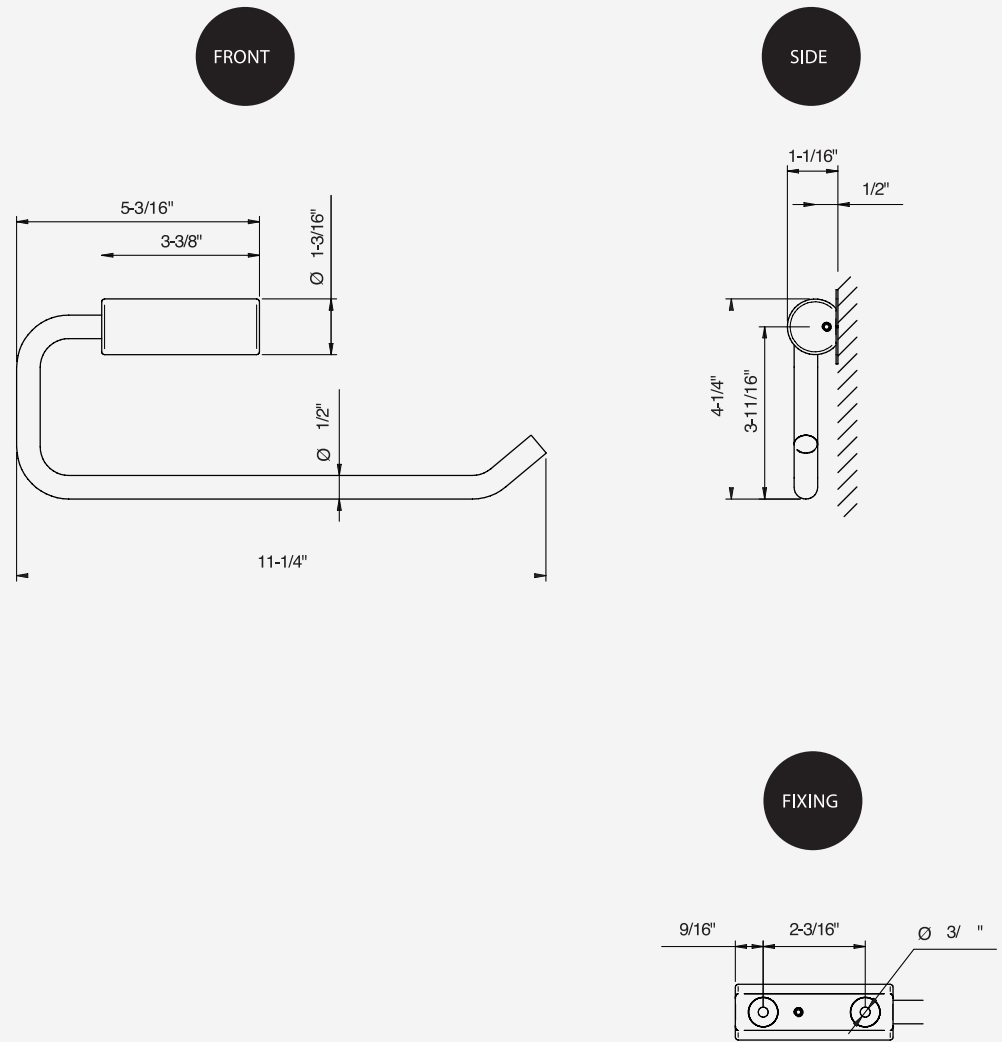
Double toilet roll holder assembly

Wall mounting bushes

Fixing template

Allen key

+ Technical Drawing



Technical Data

Weight	1 lb 14 oz
Stainless steel grade	AISI 304
Capacity	2 rolls (Max size - 5 1/8" dia x 4 5/16" width x 13/8" dia core)

Installation Requirements

Substrate	Must be attached to a stud, backing plate or blocking.
-----------	--------------------------------------------------------

Warranty

TSL backs every accessory with a lifetime guarantee against material defect in the finish.

For warranty terms and conditions please visit www.thesplashlab.com/usa/warranty

Replacement Parts

Please contact The Splash Lab at info.usa@thesplashlab.com or +1 310 410 5008 for further information.