

TOILET SEAT COVER DISPENSER

TSL.855

A wall-mounted toilet seat cover dispenser made from AISI 304 type stainless steel in a brushed satin finish. The dispenser loads from the bottom and holds standard 15" x 10" commercial seat covers packages.

Finish	Codes	LRV*
● Brushed Black	TSL.855.BK	51
● Brushed Brass	TSL.855.BR	58
● Brushed Stainless	TSL.855.CS	51
● Brushed Copper	TSL.855.CP	58

Light Reflectance Value*

+ Brushed Stainless



+ Black



+ Brass



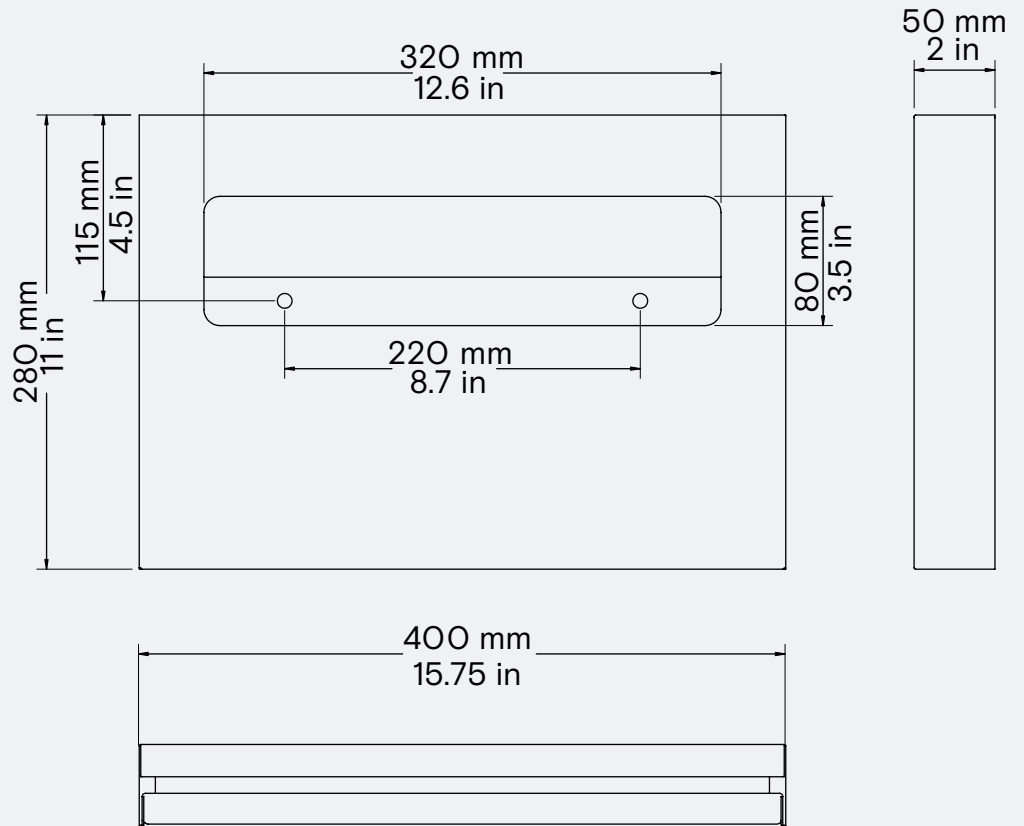
+ Copper

Included

Waste receptacle

Fixing screws x2

Drywall anchors x2**Not included**

Toilet seat covers**+ Technical drawing****Technical Data**

Weight 2.5 lb

Stainless steel grade 304AISI**Installation requirements**

Substrate Must be fixed to a hard surface. Drywall anchors included**Related documents**

Installation and maintenance manual

Warranty document

To obtain these documents please email

info.usa@thesplashlab.com

Spare parts

There are no user serviceable parts.**Warrenty**

2 years from date of purchase