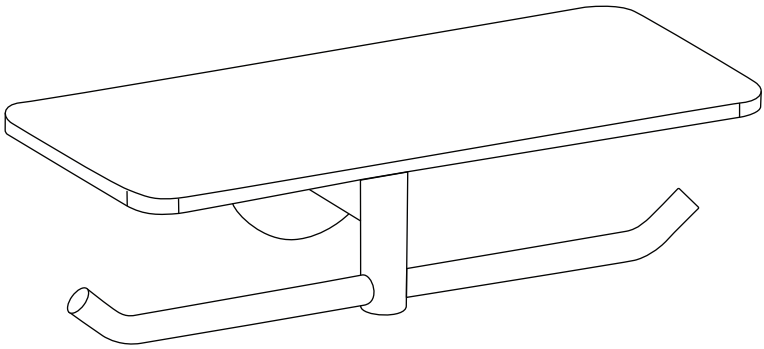


TSL.47

toilet roll holder with shelf



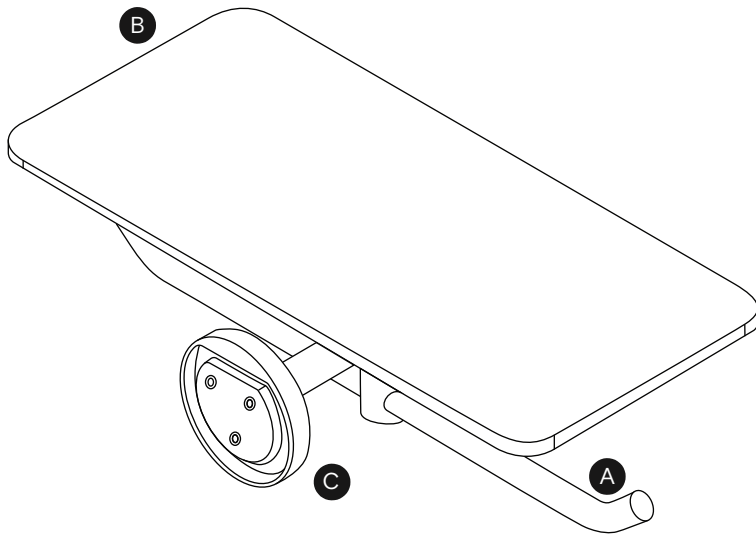
installation + maintenance

+ THE
SPLASH
LAB

contents

3	Box contents
4	Technical data
5	Before you install
6	How to install
7	Cleaning
7	Maintenance
7	Refilling
8	Diagram
9	Warranty
10	Contact details

box contents



- A Wall mount body*
- B Shelf
- C Fixing mount

*unit ships assembled. Hardware not included

technical data

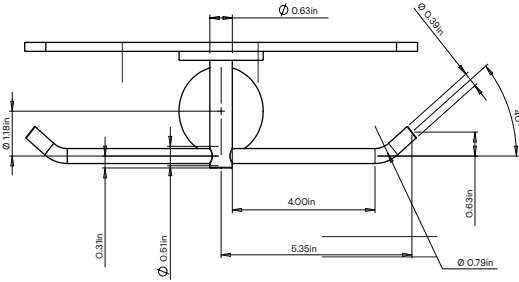
Finishes	CS (Brushed satin stainless steel)
Weight	2lb 6oz
Stainless steel grade	304AISI Stainless steel
Capacity	2 rolls (max size - 5 1/8" diameter x 4 5/16" width x 1 3/8" diameter core)
Warranty	1 year limited warranty

before you install

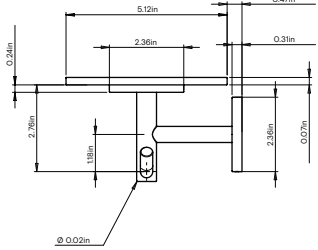
Location

The roll holder is to be fixed to a firm wall surface, with fixings appropriate to the wall substrate.

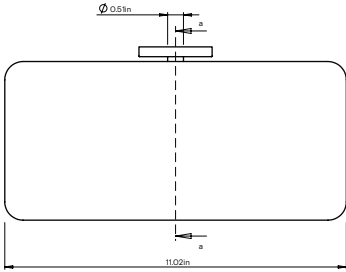
FRONT



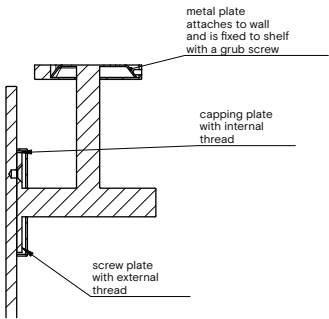
SIDE



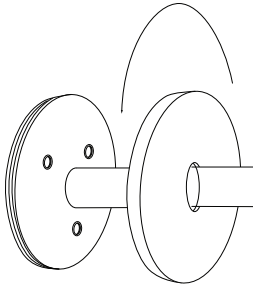
TOP



SECTION

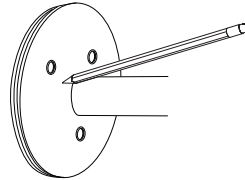


how to install



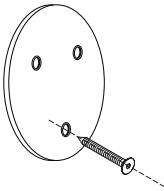
1

Unscrew the rosette covering the fixing mount and position the shelf at the desired location on the wall.



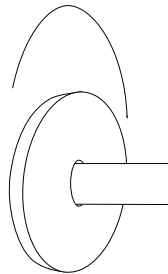
2

Mark the fixing centers for the three holes in the mount.



3

Attach the mount to the wall using hardware appropriate to the substrate.



4

Thread the rosette over the fixing mount and screw on until firmly attached.

cleaning

All grades of stainless steel will stain or discolour if due care and attention is not taken. The surface must be regularly cleaned to ensure a long service life of the dispenser.

Use a soft cloth or sponge with a mild solution of soapy water as part of the regular washroom janitorial routine. Do not use abrasive or cream cleaners as these will damage the surface finish.

If the dispenser is subjected to a highly chlorinated environment eg swimming pools or marine coastal locations, a further treatment, in addition to the regular cleaning as described above, is recommended by the application of a household cleaning product containing silicone.

If further information is required, contact The Splash Lab technical team for more detailed stainless steel care guidelines.

maintenance

The dispenser should be inspected periodically to check that no damage has occurred and that the screws securing the roll holder to the mounting points are tight.

refilling

Replacement toilet tissue rolls are to be slid onto the holder and allowed to rest against the stop at the end of the bar. The dispenser accepts standard size toilet rolls.

warranty

We believe the future is personal. With a global mindset, we challenge conventional restroom norms via product innovation to create considered washroom solutions for corporate and educational spaces. We use rich raw materials, cutting-edge automation and considered washroom design to powerfully and positively influence the lives of people. We are The Splash Lab.

Demonstrating our commitment to quality and our belief in the strength of our designs, we can offer the following warranties.

The Splash Lab will warrant that its products will be free of manufacturing and material defects during normal use and environmental conditions as detailed below:

Toilet Roll Holder with Shelf 1 year limited warranty

If a defect is found in normal use, The Splash Lab will, at their discretion, repair, provide a replacement part or product, or make appropriate adjustments. Damage caused by accident, misuse, or abuse is not covered by this warranty. Improper care and cleaning will void the warranty.

Non-operation of the product due to environmental conditions beyond our control, installation error, incorrect maintenance, water quality, fair wear and tear, incorrect or inappropriate installation, misuse and abuse is not covered by the warranty.

Proof of purchase (original sales receipt) must be provided to The Splash Lab with all warranty claims.

The above warranty is valid for goods supplied within North America.

For goods supplied outside of North America, The Splash Lab will honour the above stated warranty periods for the parts only.

THE SPLASH LAB DISCLAIMS ANY LIABILITY FOR SPECIAL, INCIDENTAL OR CONSEQUENTIAL DAMAGES.

contact



General information

info@thesplashlab.com

+1 310 410 5008

Technical support

info.usa@thesplashlab.com

For further contact information visit:

www.thesplashlab.com/usa

TSL.47 • (US) • REV 2-20/11/19

