

# Straight Spout Tap / Small

TSL.980

The TSL.980 is a stainless steel deck mounted sensor tap, available in a variety of coloured finished, with a sleek and minimalist design.

Finish	Codes	LRV*
● Satin	TSL.980.CS	58
● Black	TSL.980.BK	3
● Brass	TSL.980.BR	40
● Copper	TSL.980.CP	19
● Chrome	TSL.980.C	75

Light Reflectance Value\*

+ Satin



+ Black



+ Brass



+ Chrome



+ Copper



## Technical Data

Weight	3 lbs
Material	AISI 304 Stainless Steel
Min/Max pressure	4.25 - 108psi
Flow Rate	0.5 gpm standard. Options for 0.35 and 1 GPM available
Aerator	Cascade . ow
Coating Type	PVD (colors only)
Max hot water temperature	140°F
Temperature control	Internal mixer cartridge; not thermostatic
Power Supply (Battery)	Battery 6 V CR-P2 Lithium battery 6 Vdc, - battery pack not included
Power Supply (Mains)	110-230 Vac, 50-60Hz, 1.5A
Output (Max)	1A
Power Consumption	< 87% Active mode, 0.3W No load
Solenoid Valve	6V Latching
Water Ingress (PSU)	IP55
Cable Lengths	31 ½" - Power supply connection 31 ½" - Solenoid valve connection
Sensor Type	Infra red
Pre-set sensor range	8 11/16"
Maximum sensor range	9 11/16"
Comfort Delay	2 seconds
Security Time-out	30 seconds
Operating Temperature	32 to 122°F
Response Time (max)	< 300ms

## Installation requirements

Countertop Cut-out Size	ø 1-3/8"
Maximum Countertop Thickness	2"
Plumbing Connection	1/2" BSP female connection required to solenoid valve

Power Supply

3amp fused spur to be connected to IP68 transformer supplied; low voltage push fit connector to tap. For more reliable operation, it is not recommended that sensor taps are connected to an occupancy circuit. All connections must be in accord with the current local regulations in force.

Access Requirements

Solenoid/isolation valves must be accessible for initial installation & commissioning and for ongoing/routine maintenance.

Washroom Layout

Avoid installing the sensor tap directly opposite other sensor taps, soap dispensers, infrared devices or reflective surfaces.  
Careful consideration should be made when choosing the positioning of lighting and other reflective surfaces which may affect sensor performance.

Water Supply

14psi is the recommended minimum pressure for the faucets to operate effectively. 108psi is the maximum pressure for commissioning and is NOT recommended for general use. Gravity-fed systems may require a booster pump to achieve the optimal operating pressure  
All pipework must be thoroughly cleaned and clear of any debris before connecting the faucet.

**Compliance & certificates**

---

ADA compliant

---

ASME A112.18.1/CA B125.1-2018

---

NSF/ANSI 61-2017

---

NSF/ANSI 372-2016

---

NSF/ANSI/CAN 61-2022

---

International Plumbing Code (IPC) 2021, 2018, 2015, 2012 and 2009

---

International Residential Code (IRC) 2021, 2018, 2015, 2012 and 2009

---

Uniform Plumbing Code (UPC) 2021, 2018, 2015, 2012 and 2009

---

National Plumbing Code of Canada (NPC) 2020, 2015, 2010 and 2002

---

LEED.v4- Compliant for assessment for Water Saving and Efficiency

---

Continued on next page

## Key Components/Spare Parts

Solenoid Connector Cable  
TSLP.120032

Sensor Water & Air  
TSLP.260014

Mains Power Supply 6V  
TSLP.270066

Solenoid Valve  
TSLP.120030

Aerator Key  
TSLP.260050

Aerator Cascade 3.8L/min Airted  
TSLP.260062

Aerator Cascade 1.89L/min Spray  
TSLP.260063

Basket Filter for Solenoid Valve  
TSLP.08530015

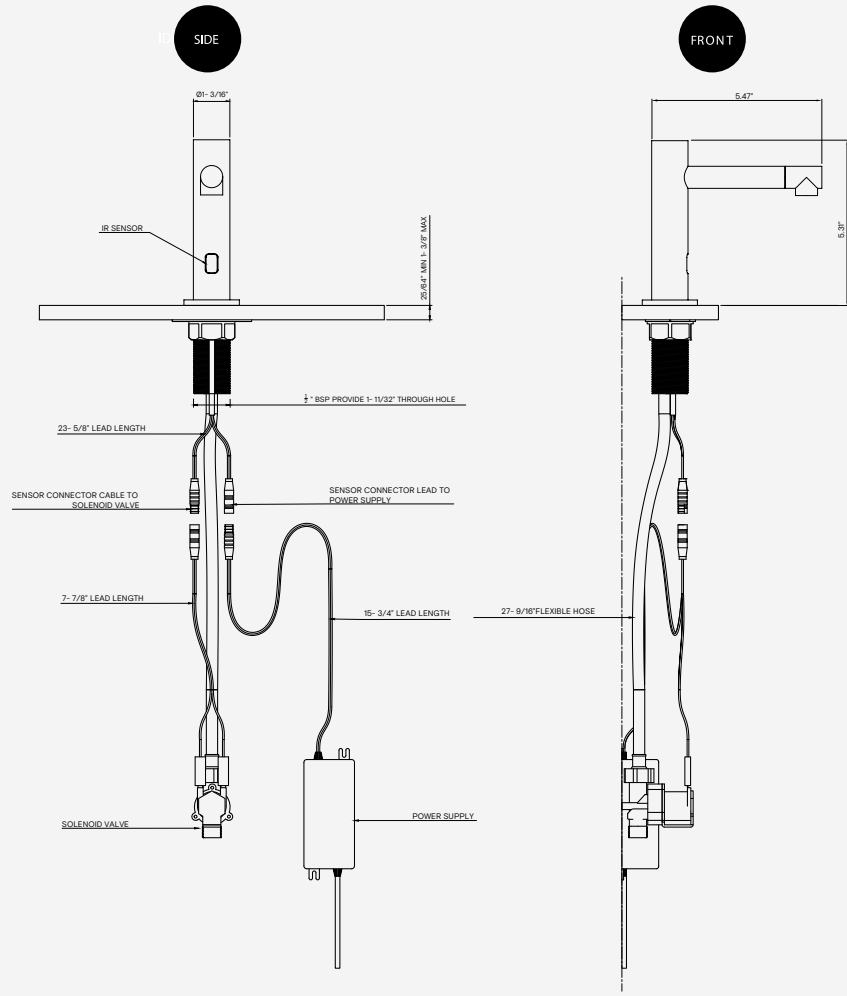
## Optional Extras

Lithium Battery 6V  
TSLP.270030

Battery Holder  
TSLP.270029

Height Extension Kit / 5.12"  
TSLP.EX130

## + Technical drawing



## Warranty & Spare parts

For warranty terms and conditions please visit [www.thesplashlab.com/usa](http://www.thesplashlab.com/usa)

If additional spare parts are required and are not listed above, please contact us at [info.usa@thesplashlab.com](mailto:info.usa@thesplashlab.com)

Part	Code
Solenoid Valve Sensor Wire	L120032
IR Sensor CI128 - Faucet	L260014
Solenoid Valve 1/2" BSP	L120030
Remote Sensor Controller	L230099

## Related products



**Sensor Deck Mounted Soap Dispenser**  
TSL.420



**Deck Mounted Soap Dispenser**  
TSL.410



**Straight Spout Tap / Large**  
TSL.940



**Monolith A Series**  
TSL.MON.A