

TSL.SOLO2

Rectangular Basin

installation + maintenance

+ THE
SPLASH
LAB

contents

3	Safety and Warnings
4	Box Contents
5	Technical Data
6	Before You Install
7	How to Install
9	Cleaning
10	Warranty
11	Contact Details

solo basin

Read and save these instructions

WARNING

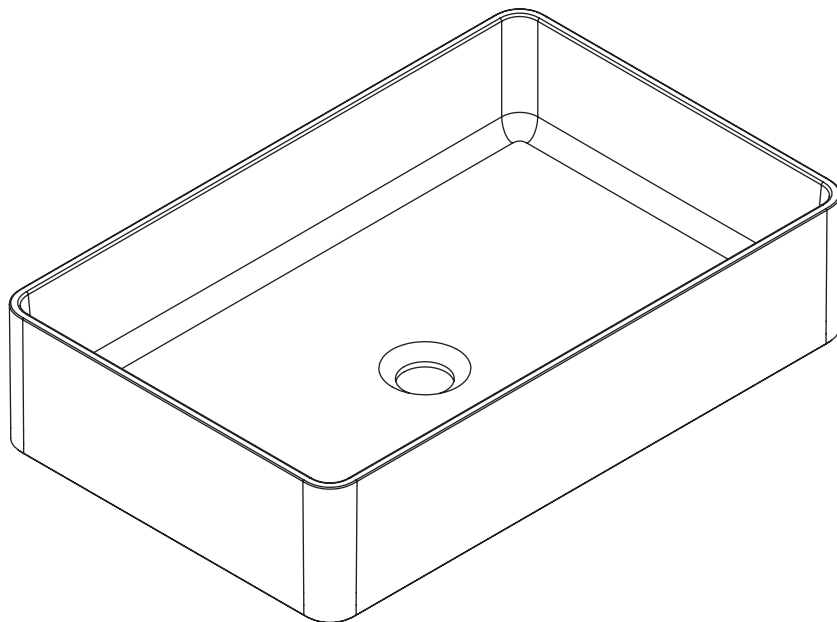
- + Use this unit only in the manner intended by the manufacturer. If you have questions, contact the manufacturer (see back page for more details).
- + Ensure plumbing is installed correctly before activating water supply.
- + All plumbing is to be installed in accordance with applicable codes and regulations.

For more information contact:

Tel: 310 410 5008

Email: info.usa@thesplashlab.com

box contents



1 Solo Basin

technical data

Overview

The Solo basin range is comprised of two luxurious basins crafted as single seamless piece of solid surface. Their free-flowing form is uninterrupted by hardware which instead is mounted on a vanity top or wall. This contemporary basin range is destined to be a design classic.

Codes

TSL.SOLO2

TSL.SOLO22

Finishes

Alpine White

Alpine White with countertop mount

Technical Data

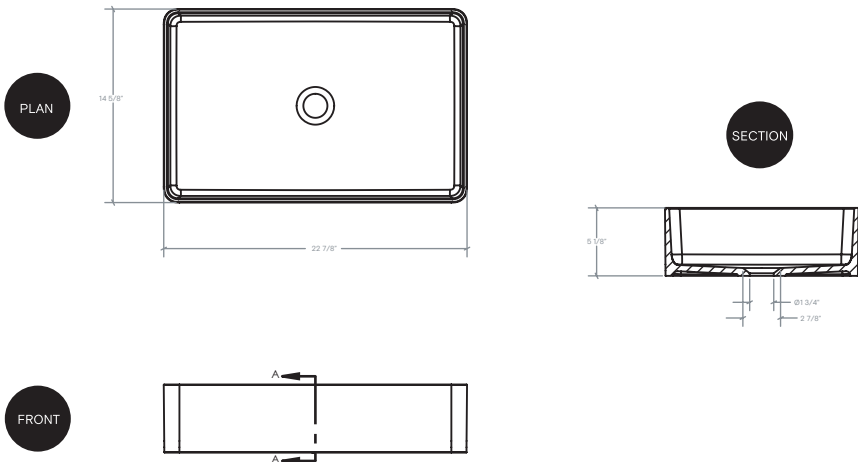
Body Material
Weight

Solid surface
20lbs

Spare Parts

There are no user serviceable parts.

Dimensions



before you install

Caution



+ All parts must be installed correctly before powering up the system.

Access Requirements

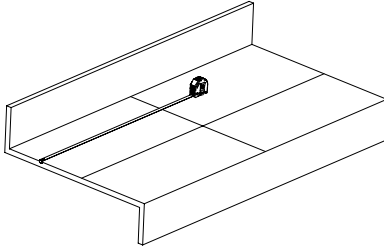
It is critical all components which require fixing behind the wall are easily accessible at all times during installation and routine maintenance.

Wall Cavity: A minimum cavity depth of 4 inches is recommended to ensure enough clearance for installing drainage components and connecting to mains drainage.

Front access: A hatch or panel(s) must be constructed either below the wash basin or behind the mirror to ensure the trap is accessible for maintenance and installation.

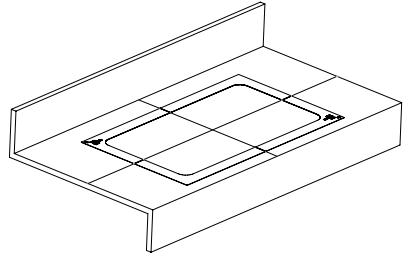
how to install

Basin Installation



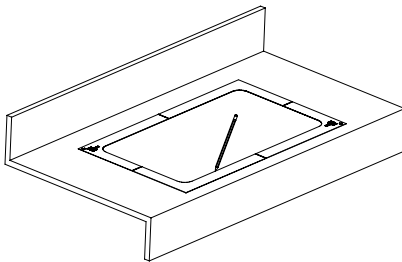
1

Mark the countertop exactly where the basin needs to be positioned. Mark in pencil so that lines can be removed after fitting.



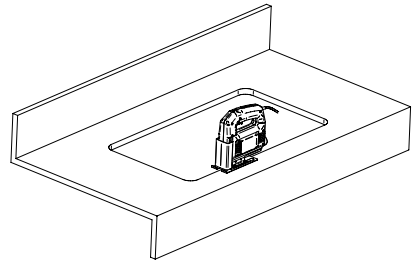
2

Align the template provided on to the surface of the vanity unit. Place basin will be required.



3

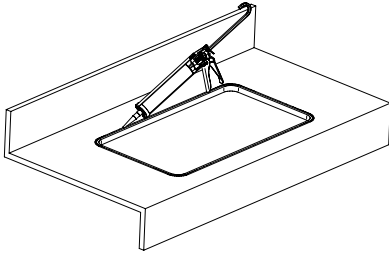
Draw around the template following the inside circle for the cutout to install the basin within the countertop.



4

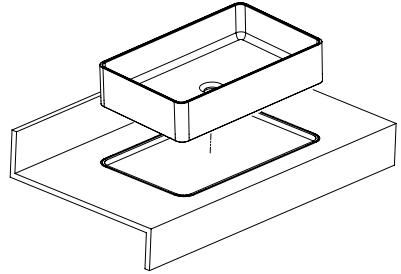
Remove the template to reveal the circular cut line, and proceed with cutting out the aperture ready to fit the basin.

Basin Installation



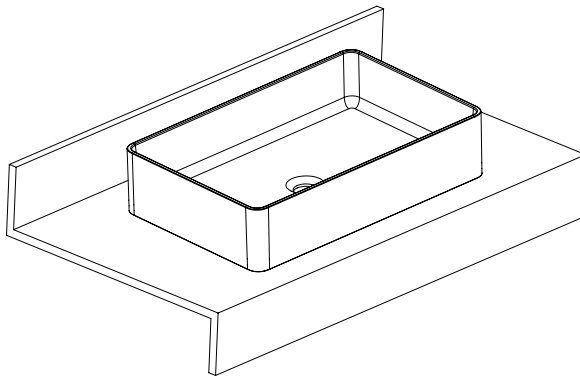
5

Apply silicon beading around the edge of the cutout on the countertop, ready for the basin to be fitted.



6

Lower the basin carefully into the cutout in the countertop, until the lip at the base of the basin sits comfortably within the cutout on the countertop and is level.



7

Once the basin has been fitted, ensure that it is tight and cannot be easily moved. This will ensure safety to all users.

cleaning

The Splash Lab Solo Basins are finished in a matte/satin finish. The surface can be cleaned with a mild solution of soapy water, ammonia-based cleaners or most commercially available solid-surface cleaners. These will remove most dirt and other residue from the surface.

Cleaning Techniques

- + Washing with soap and water is usually sufficient to remove dirt or stains
- + Ammonia based liquid cleaner (not window cleaner) can also be used. Always rinse surface thoroughly and wipe dry.
- + Drying is an important step, preventing a build-up of soap film or cleaning residue, which can create the appearance of light scratches over time.
- + Stubborn soap film or cleaning residue build-up on solid surfaces are easily removed with abrasive cleaners and a white abrasive pad or sponge.
- + For darker colors, a polish may be used to enhance the shine. For areas where there is the possibility of contact with food, a polish formulated for use in food-contact areas must be used. Where food contact is not likely to occur, a simple furniture polish can be used. Always follow the manufacturer's instructions for using the polish and for safety concerns.

Cleaning Agents

The Splash Lab solid surface is unaffected by common household and commercial cleaners such as:

- + Powdered abrasive cleaners
- + Ammonia
- + String detergents
- + Oxalic acid solutions
- + Dilute hydrochloric acid solutions
- + Dilute trisodium phosphate solutions

Acid drain cleaners may cause damage

warranty

We believe the future is personal. With a global mindset, we challenge conventional restroom norms via product innovation to create considered washroom solutions for corporate, public and hospitality spaces. We use rich raw materials, cutting-edge automation and considered washroom design to powerfully and positively influence the lives of people.

Demonstrating our commitment to quality and our belief in the strength of our designs we offer the following warranties.

The Splash Lab warrants that its products will be free of manufacturing and material defects during normal use and environmental conditions as detailed below:

TSL.SOLO2: 10 Years for manufactured product; 10 years for material used

If a defect is found in normal use, The Splash Lab will, at their discretion, repair, provide a replacement part or product, or make appropriate adjustments. Damage caused by accident, misuse, or abuse is not covered by this warranty. Improper care and cleaning will void the warranty.

Non-operation of the product due to environmental conditions beyond our control, installation error, incorrect maintenance, water quality, fair wear and tear, incorrect or inappropriate installation, misuse and abuse is not covered by the warranty.

Proof of purchase (original sales receipt) must be provided to The Splash Lab with all warranty claims.

The above warranty is valid for goods supplied within the United States.

For goods supplied outside of the United States, The Splash Lab will honor the above stated warranty periods for the parts only.

THE SPLASH LAB DISCLAIM ANY LIABILITY FOR SPECIAL, INCIDENTAL OR CONSEQUENTIAL DAMAGES.

contact



General information

310 410 5008

Warehouse + Offices:
20809 Higgins Court, Torrance CA 90501

Technical support

info.usa@thesplashlab.com

For further contact information visit:

www.thesplashlab.com/usa



+