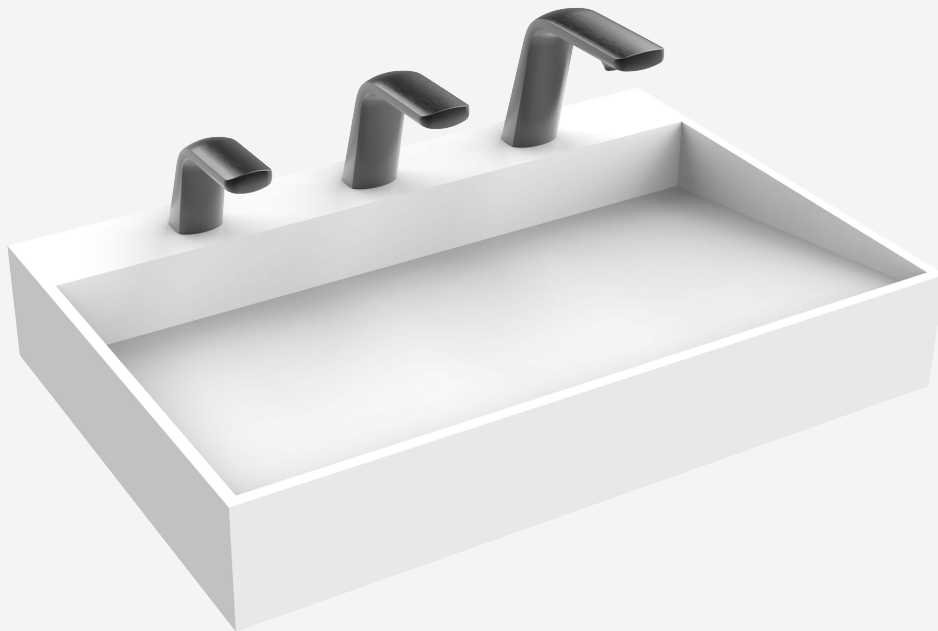


The Ribbon Basin

TSL.NANO.R

A 30" wide compact wash basin constructed in solid surface with concealed waste and 1 1/4" waste connection. Includes steel supporting wall bracket.

+ Ribbon Basin



Technical Data

| | |
|------------------|--|
| Warranty | 10 years from date of purchase (terms and conditions apply) |
| Material | Solid surface |
| Support Brackets | Powder-coated steel - Refer to Installation manual for spacing and setting out |
| Finishes | See reference to supplier materials - Hi Macs, Corian, and others |

Installation requirements

| | |
|---------------------|--|
| Wall construction | Brackets included. Installer should ascertain that suitable wall substrate is present to allow for the correct support for the Ribbon Basin. |
| Fixed height | 31.5" to 35.4" from finished floor |
| Wall Fixings | Must be fixed to a suitable wall substrate to allow for the correct use of the sink. The Splash Lab recommend that installers contact a fixings specialist for advice to ensure the correct fixings are used for the location. Wall fixings are not included with the Monolith |
| Plumbing | Connection to 1 ¼" waste outlet required. (one connection per user) Installer to provide water for taps. See separate datasheet for The Splash Lab sensor taps. |
| Access requirements | Solenoid and isolation valves must be accessible for initial installation & commissioning and for ongoing and routine maintenance. |
| Material | Solid surface |

Key Components/Spare Parts

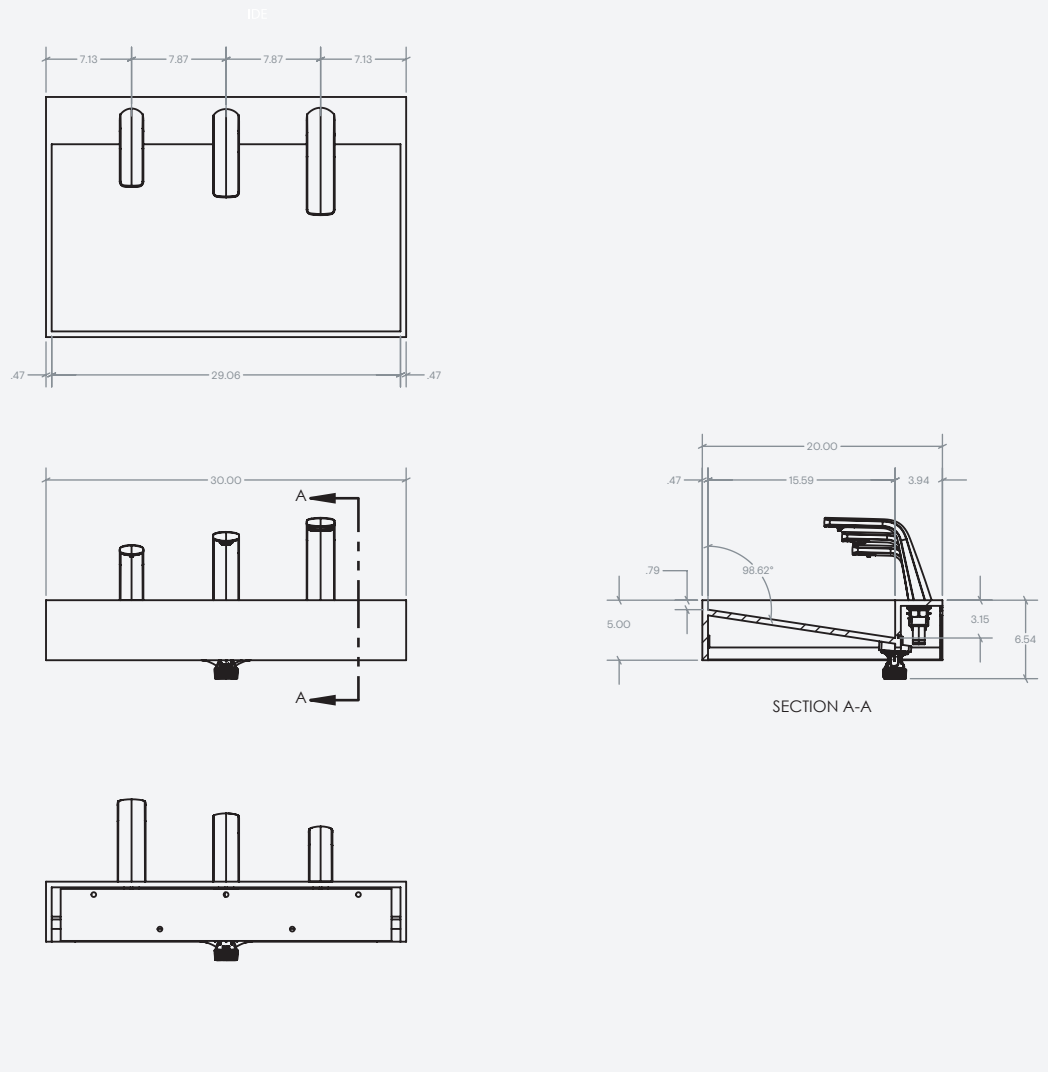
The Ribbon Basin
TSL.R040

The Ribbon Soap Dispenser
TSL.R010

The Ribbon Sensor Tap
TSL.R020

The Ribbon Hand Dryer
TSL.R030

+ Technical drawing



Warranty & Spare parts

For warranty terms and conditions please visit www.thesplashlab.com

If additional spare parts are required and are not listed above, please contact us at info.usa@thesplashlab.com

Related products



The Ribbon Soap Dispenser
TSL.R010



The Ribbon Sensor Tap
TSL.R020



The Ribbon Hand Dryer
TSL.R030