

Radius Sensor Faucet / Small

TSL.884

The TSL.884 Radius Sensor Faucet features a sleek wall mounted spout with accompanying sensor housing and is available in a range of finishes. The shorter spout length is ideally suited to smaller sinks and spaces.

Finish	Codes	LRV*
● Black	TSL.884.BK	3
● Brass	TSL.884.BR	40
● Satin	TSL.884.CS	58
● Bronze	TSL.884.BZ	17
● Copper	TSL.884.CP	19
● Chrome	TSL.884.C	75

Light Reflectance Value*

+ Satin



+ Black



+ Brass



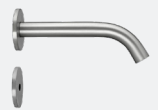
+ Bronze



+ Copper



+ Chrome



Technical Data

Body Material	AISI 304 Stainless Steel PVD
Coating Type	PVD
Aerator	Cascade
Water Pressure (Dynamic)	4.25 - 108psi
Water Temperature (max)	140 °F
Flow Rates	0.5gpm
Also available	0.35gpm - refer to Spare Parts & Accessories 1.00gpm - refer to Spare Parts & Accessories
Power supply	Mains 110-230 Vac, 50-60Hz, 1.5A Battery 6 V CR-P2 Lithium battery 6 Vdc,
Output (max)	1A
Power consumption	< 87% Active mode, 0.3W No load
Solenoid valve type	6V Latching
Water Ingress	IP55
Cable lengths	31 ½ - Power supply connection 31 ½ - Solenoid valve connection
Sensor type	Infrared
Pre-set sensor range	8 11/16"
Sensor range (max)	9 11/16"
Comfort delay	2 sec
Security time-out	30 sec
Operating Temperature	32 - 122 °F
Time (max) IP rating	0.3 - < 1 sec

Installation requirements

Wall Cut-out Hole Size	Ø 5/8"
Depth of Wall Cavity (min)	3 5/16"
Wall Thickness (max)	2" (incl. finishes)
Plumbing Connection	½" BSP (female) brass fitting is required to connect to the solenoid valve housing ½" BSP to 1" NPT adapter included
Water Supply	14psi is the recommended minimum pressure for the faucets to operate effectively. 108psi is the maximum pressure for commissioning and is NOT recommended for general use. Gravity-fed systems may require a booster pump to achieve the optimal operating pressure All pipework must be thoroughly cleaned and clear of any debris before connecting the faucet
Washroom Layout	Solenoid valve must be accessible for installation, commissioning and ongoing maintenance.

Compliance & certificates

ADA compliant

ASME A112.18.1/CAN B125.1-2018,

NSF/ANSI 61-2017

NSF/ANSI 372-2016,

NSF/ANSI/CAN 61-2022

International Plumbing Code (IPC)	2021, 2018, 2015, 2012 and 2009
-----------------------------------	---------------------------------

International Residential Code (IRC)	2021, 2018, 2015, 2012 and 2009
--------------------------------------	---------------------------------

Uniform Plumbing Code (UPC)	2021, 2018, 2015, 2012 and 2009
-----------------------------	---------------------------------

Uniform Plumbing Code (UPC)	2021, 2018, 2015, 2012 and 2009
-----------------------------	---------------------------------

LEED.v4- Compliant for assessment for Water Saving and Efficiency

Included

Radius Sensor Faucet

Body

Aerator key

Collar

Gasket (Collar)

Anti-rotation washer (Spigot)

Locking nut (Spigot)

Elbow fitting

Inlet tubing

Solenoid valve cable

Solenoid valve cable

Sensor Housing

Gasket (Sensor Housing)

Anti-rotation washer

(Sensor Housing)

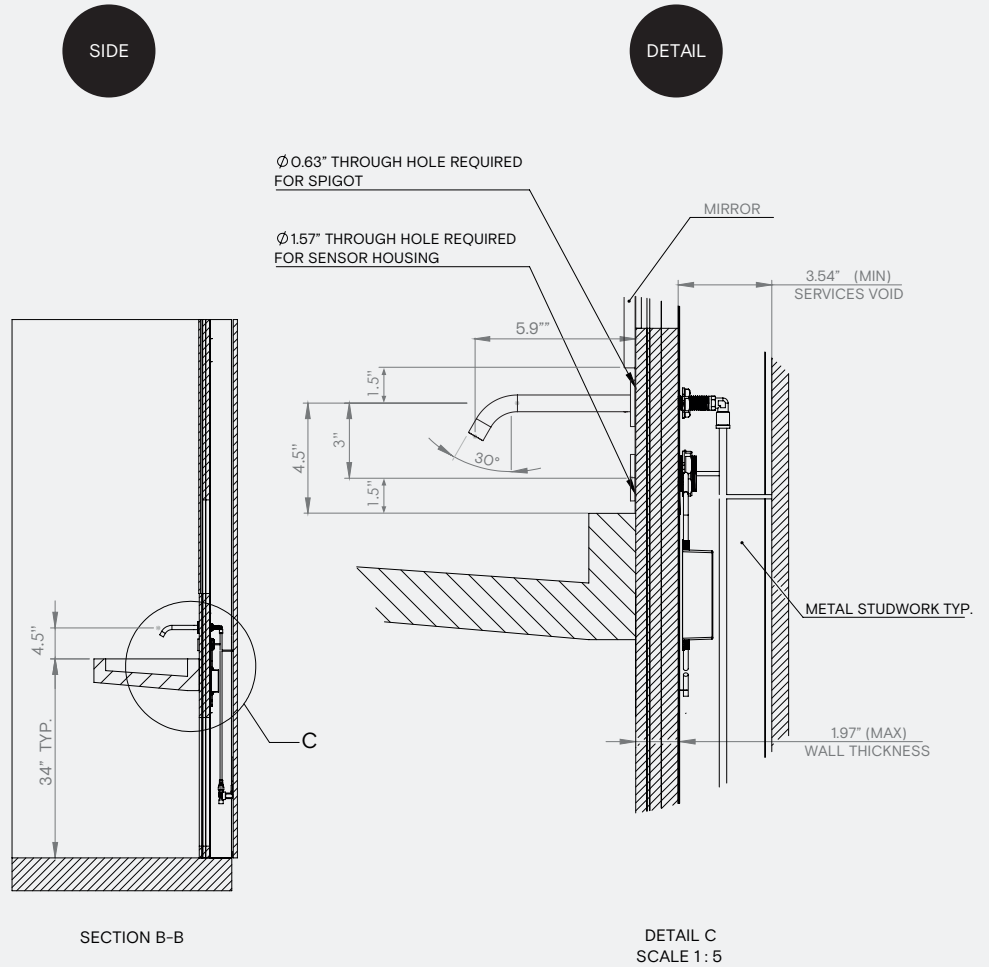
Power Supply

IR Sensor

Warranty

1 year limited warranty

+ Technical drawing



Spare parts

For warranty terms and conditions please visit www.thesplashlab.com

If additional spare parts are required and are not listed above, please contact us at info.usa@thesplashlab.com

Part	Codes
Solenoid valve assembly	L120030
IR Sensor CI128	L260014

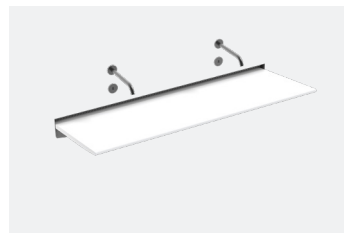
Related products



Radius Pump Soap Dispenser
TSL.470



The Nano Basin / Small
TSL.NANO1



The Aerofoil Basin
TSL.AERO



Radius Sensor Faucet / Large
TSL.882