

# Under-Couner Waste Bin

TSL.LR16

A standard size wall-mounted waste bin that works seamlessly with The Monolith Basin System and pipeskirts for a sleek apron front.

Finish	Codes
● Matte Black	TSL.PS2.BK
● Gloss White	TSL.PS2.WH
● Stainless Steel	TSL.PS2.CS

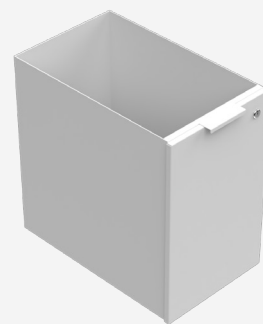
+ Stainless Steel



+ Matte black



+ Gloss white





### Included

Waste bin

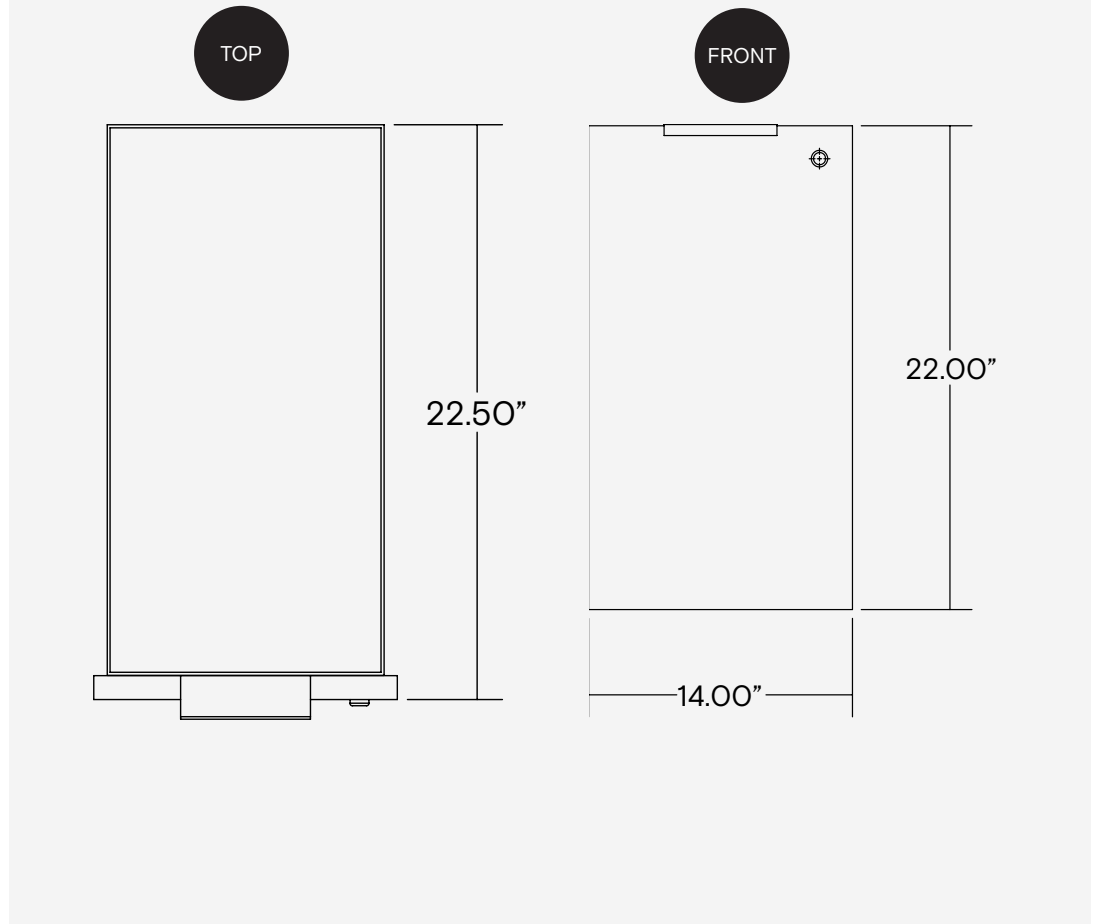
Key

### Not included

Mounting hardware

Trash can

### + Technical drawing



### Warrenty

1 year limited warranty

Unlimited digital support

### Spare parts

If a situation arises where replacement components are required outside of a maintenance contract, there may be provision to obtain spare parts. Providing the components are under warranty and the parts have become non-functioning during normal use within their assumed usable life, they may be replaced. Should a replacement mains power supply be required it is imperative that an identical type is used. Contact **The Splash Lab** for further information.

### Part

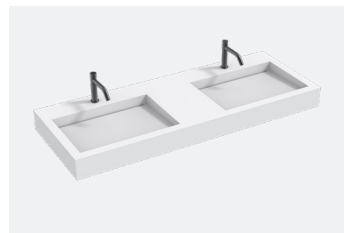
### Codes

There are no user serviceable parts.

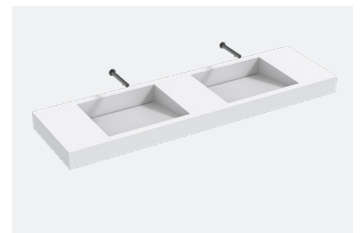
### Related products



**Monolith Pipeskirts**  
TSL.PS



**The Monolith B Series**  
TSL.MON.B



**The Monolith D Series**  
TSL.MON.D