

Monolith C Series

TSL.MON.C.30

The Type C series is an ADA-compliant, solid surface sink designed for use with wall-mounted fixtures. This basin style is also available in two, three, or four-user lengths. Optional pipeskirts are available in three finishes.

+ TSL.MON.C.30



+ TSL.MON.C.30.PS2.BK



+ TSL.MON.C.30.PS2.WH



+ TSL.MON.C.30.PS2.SS



Variant Code	Size	Users	Optional Pipeskirts	Finish
TSL.MON.C.30	30"L x 24"D	One		
TSL.MON.C.30.PS2.SS	30"L x 24"D	One	Straight pipeskirt	Stainless steel
TSL.MON.C.30.PS2.BK	30"L x 24"D	One	Straight pipeskirt	Black powder coat
TSL.MON.C.30.PS2.WH	30"L x 24"D	One	Straight pipeskirt	White powder coat

Technical Data

Sink	100% solid surface (acrylic/resin)
Brackets	Stainless steel
Pipeskirts	Stainless steel (brushed or powder-coated)
Fabrication	Fabricated in Los Angeles and British Columbia by CNC machine with hand-finishing.
Wall construction	Brackets included. Installer should ascertain that wall construction is sufficiently designed to support the Monolith.
Fixed height	See Drawing
Wall Fixings	Must be fixed to a suitable wall substrate to allow for the correct use of the Monolith. The Splash Lab recommend that installers contact a fixings specialist for advice to ensure the correct fixings are used for the location. Wall fixings are not included with the Monolith
Plumbing	Connection to 1 ½" NPT waste outlet required. (one connection per user) Installer to provide water for taps. See separate data sheet for The Splash Lab sensor taps.
Access requirements	Solenoid and isolation valves must be accessible for initial installation & commissioning and for ongoing and routine maintenance

Installation Requirements

ADA	Follow ADA basin height requirements to ensure compliance.
Side skirts	Optional caps for pipeskirts where sink is installed with exposed sides.

Compliance & Certificates

IPC	2009, 2012, 2015,2018, 2021 IRC 2009, 2012, 2015,2018
UPC	2009, 2102, 2015, 2018, 2021 NPC 2005, 2010. 2015
CSA B45.5 / IAPMO Z124-2107 ADA	
LEED	

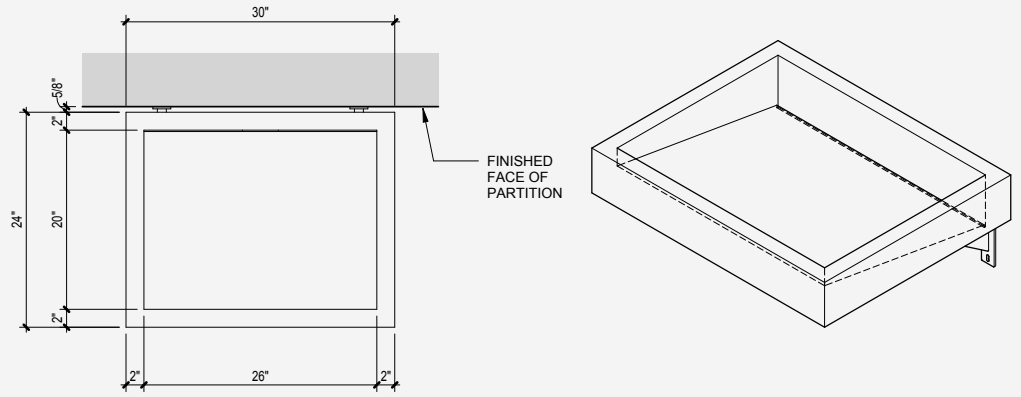
Included

- _____ Monolith basin
- _____ Angled mounting bracket
- _____ Drainage funnel
- _____ Drainage funnel gasket
- _____ Drainage funnel screws (M6 x 12 screw and washer)
- _____ Mounting bolts 1/4-20 UNC x 3/4"
- _____ Lock nuts 1/4-20 UNC
- _____ Washers

Not Included

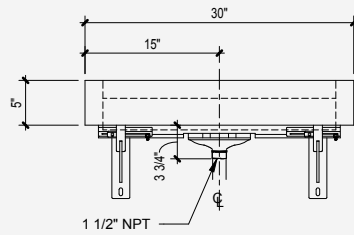
- _____ Deck-mounted fixtures
- _____ Drainage connection pipe

+ Technical Drawing

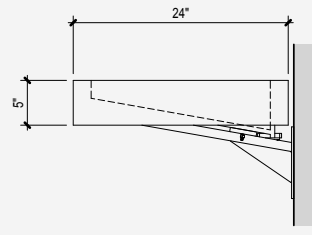


PLAN

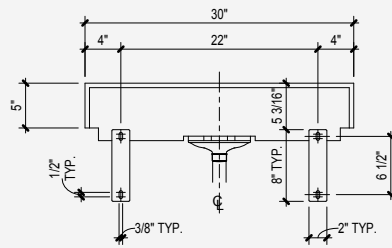
ISOMETRIC



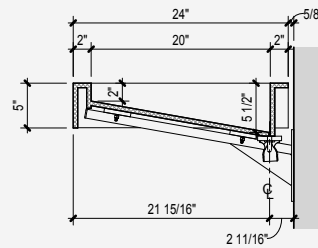
FRONT ELEVATION



SIDE ELEVATION



REAR ELEVATION



CROSS SECTION

Warranty & Replacement Parts

TSL backs every sink with a lifetime guarantee against material defect.

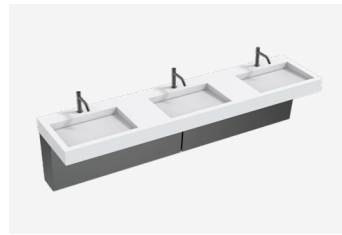
For warranty terms and conditions please visit www.thesplashlab.com/usa/warranty

For replacement parts, please contact The Splash Lab at info.usa@thesplashlab.com for further information.

Related Products



The Monolith A Series
TSL.MON.A



The Monolith B Series
TSL.MON.B



The Monolith D Series
TSL.MON.D