

MONOLITH

Basin System
C Series

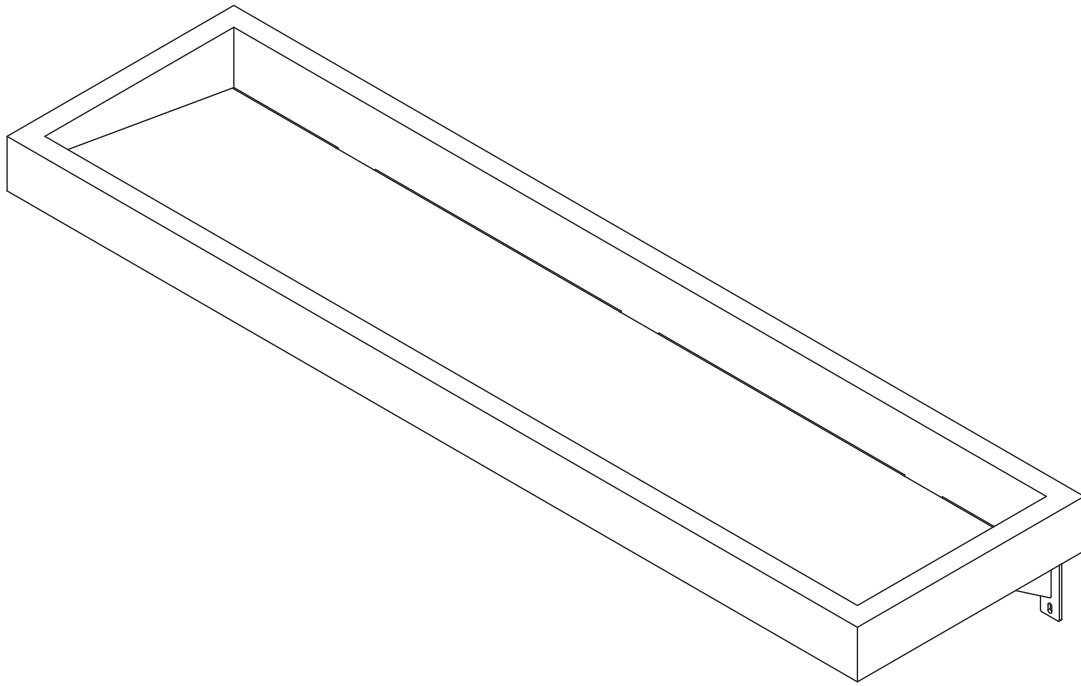
installation + maintenance

+
THE
SPLASH
LAB

contents

3	Monolith C Series
4	Components List
5	Technical Data
6	Before you Install
10	Installation
14	ADA Compliance
15	Operation
15	Maintenance
16	Cleaning
16	Repairs
17	Damage Prevention
17	Faucets
17	Soap Dispensers
18	Warranty

monolith c series



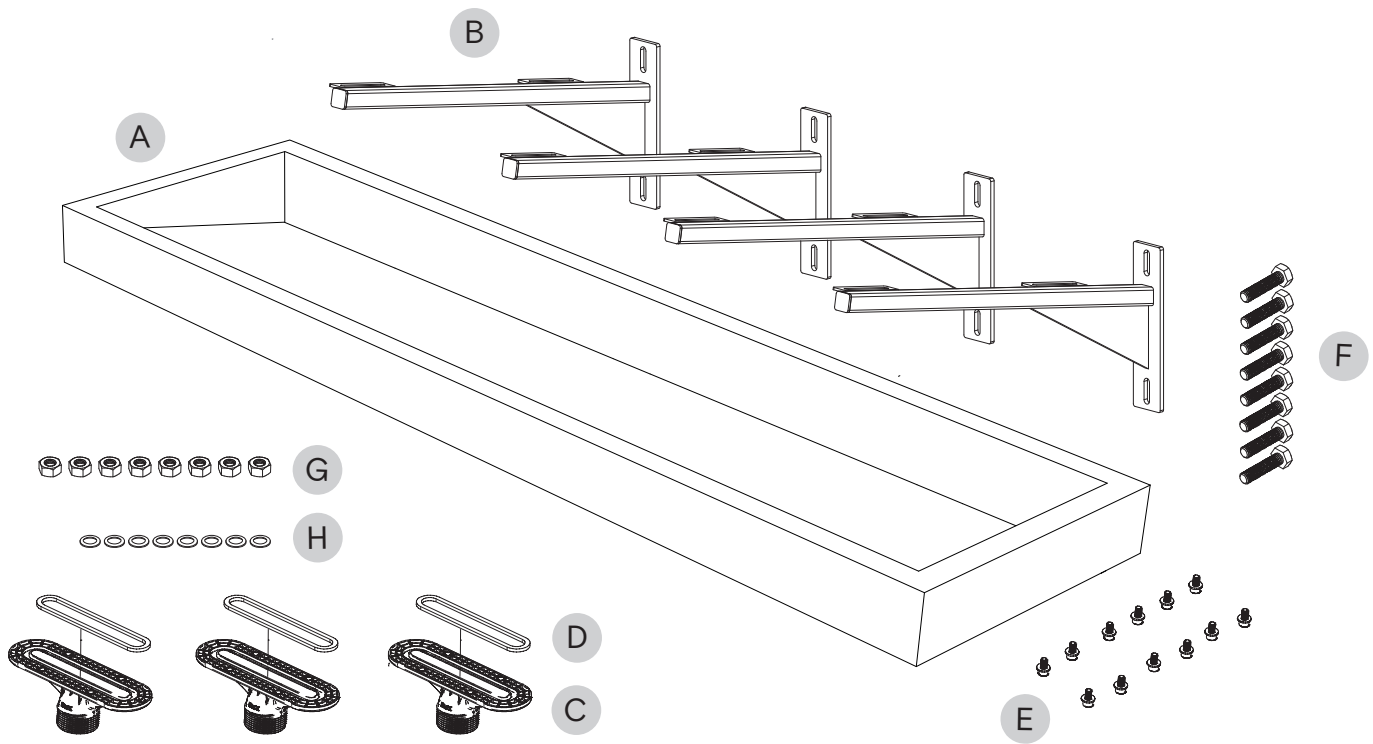
Monolith C Series

The Splash Lab Monolith System C Series is a trough sink specific to wall-mounted fixtures for one to four users. The basin is constructed from solid surface material, mounted on steel brackets and is well suited to commercial and public restrooms.

monolith c series

components list

3-User 90" basin*



		90"
A	Trough	1
B	Angled mounting bracket	4
C	Drainage funnel	3
D	Drainage funnel gasket	3
E	Drainage funnel screws (M6 x 12 screw and washer)	12
F	Mounting bolts 1/4-20 UNC x 3/4"	8
G	Lock nuts 1/4-20 UNC	8
H	Washers	8

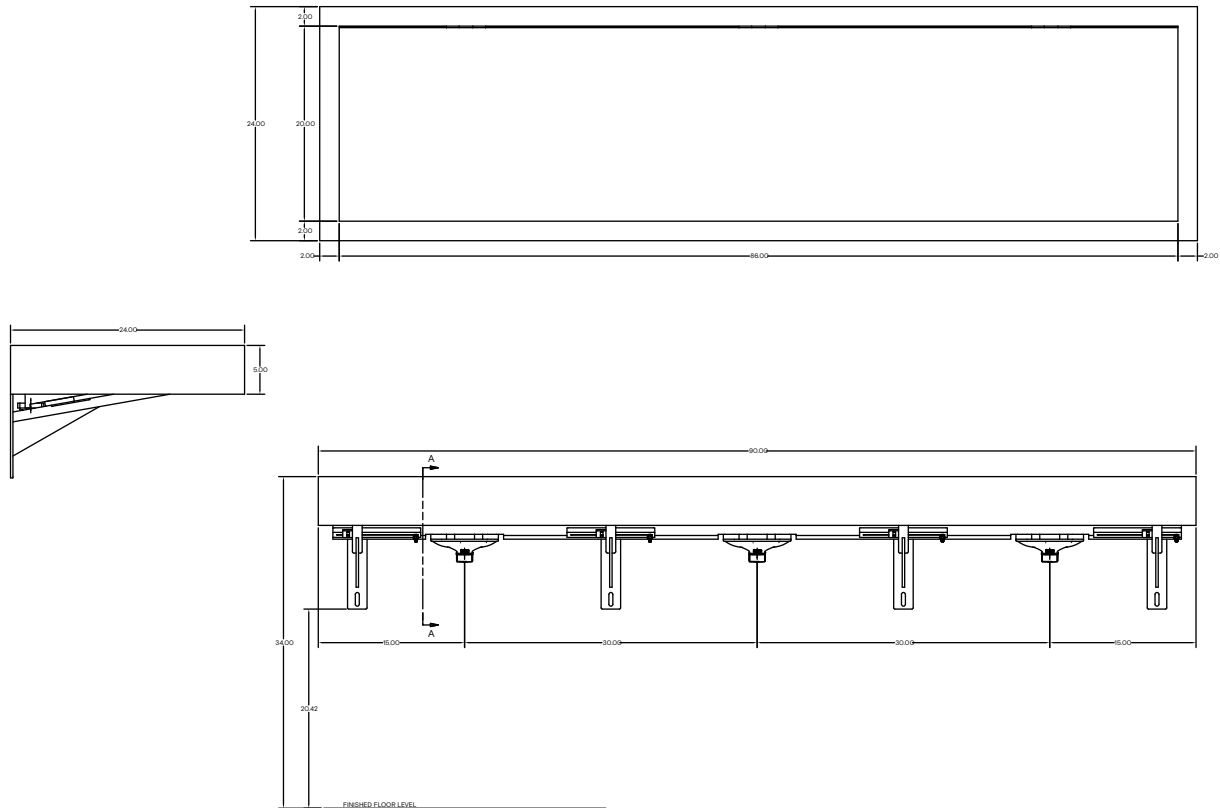
Before assembly, please check that all listed components are present and advise The Splash Lab of any missing parts. Wall mounting hardware is not included for fastening the brackets to the wall as every location differs. The Splash Lab recommend that you consult the Structural Engineer or General Contractor for advice on the most appropriate mounting method for your project.

*The 90" 3-user TSL.MON.C.90 is pictured for all examples in this guide. For the most accurate bracket spacing guide, please refer to the shop drawings for your project.

monolith c series

technical data

3-User 90" Monolith



	90"
Material	Solid surface
Weight	140 lbs
Overall dimensions	90 x 24 x 5"*
Waste connections	3

*The 90" 3-user TSL.MON.C.90 is used for all examples in this guide; please consult the shop drawings for your project before installing. For model-specific dimensions, please refer to the datasheet for your model TSL.MON.C or download one at thesplashlabusa.com.

monolith c series

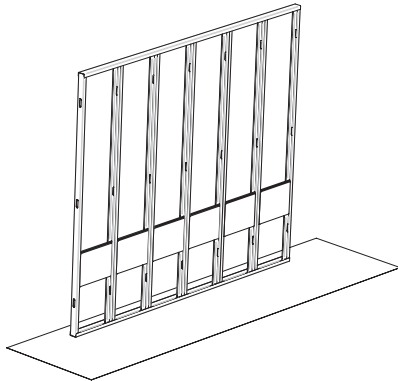
before you install / steel stud wall

The wall structure that the Monolith is to be fixed to should be sufficiently strong to support the weight of the Monolith. Refer to table on page 5 for weight of the Monolith.

It is recommended that a minimum of a 4" void is allowed behind the fixing wall for ease of access to the plumbing connections. It is also recommended that access panels are created as part of the wall construction to allow for initial installation and maintenance of the fittings. Depending on the individual installation, the access panel could be either above or below the Monolith.

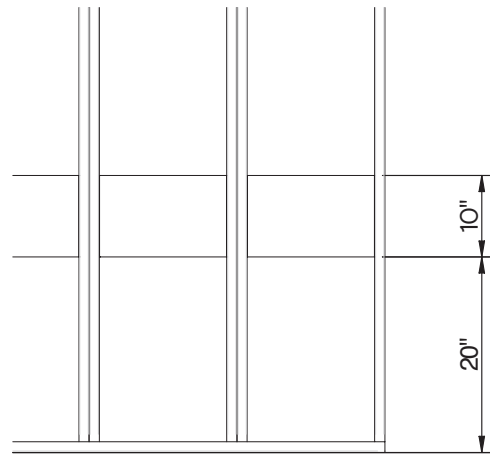
1

The wall section where the Monolith is to be mounted should be constructed using back-to-back studs to provide the additional support that is needed. These studs should be fixed to each other in accordance with the recommendations of the manufacturer of the wall system. 2 thicknesses of 3/4" plywood blocking must be fixed to the wall frame where the Monolith will be mounted.



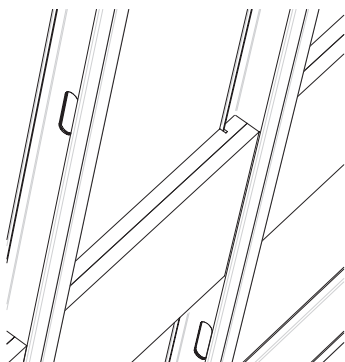
2

The plywood should be fixed at the heights as shown below. This will provide sufficient support and will allow the Monolith to be installed to comply with the current ADA / ANSI regulations.



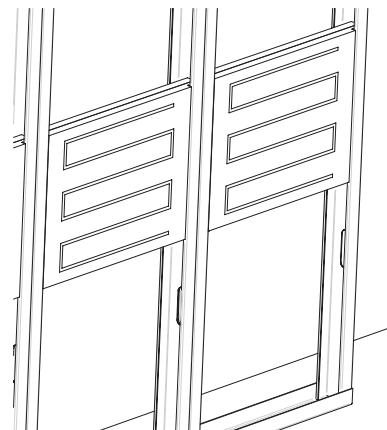
3

Cut a saw-kerf width slot in the face of one of the sections of plywood to accept the flange on steel studwork, as shown. Fix the plywood to the steel stud using appropriate wall-construction hardware. The second layer of plywood is now to be fitted to the back of the 1st piece using flat-head woodscrews at 6" centers.



4

Apply a bead of wall panel adhesive at 2" centers to the plywood as shown and then the wall finish (drywall, plywood etc) can now be fitted in the normal manner.



monolith c series

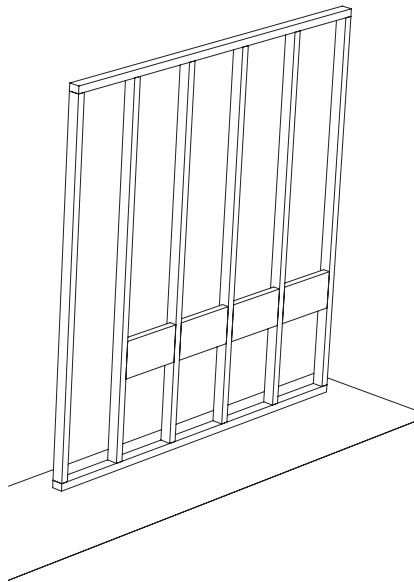
before you install / timber stud wall

It is recommended that a timber stud framework is constructed to support the Monolith using construction-grade 2" x 4" studs. This will leave enough void within the wall for the required services for the plumbing installation.

For maximum strength, it is better if the studs can be fitted at centers corresponding to the mounting points for the Monolith brackets. If this is not possible, then the wall must be strengthened as below.

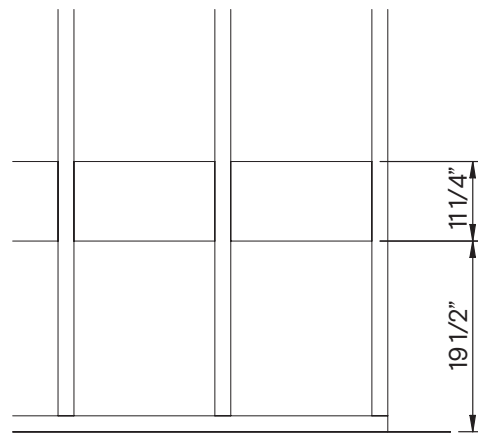
1

The wall section where the Monolith is to be fixed should be reinforced using 2" x 12" timber blocking to provide the additional support that is needed.



2

The timber blocking should be mounted at heights as shown below. This will provide sufficient support and will allow the Monolith to be installed to comply with the current ADA / ANSI regulations.



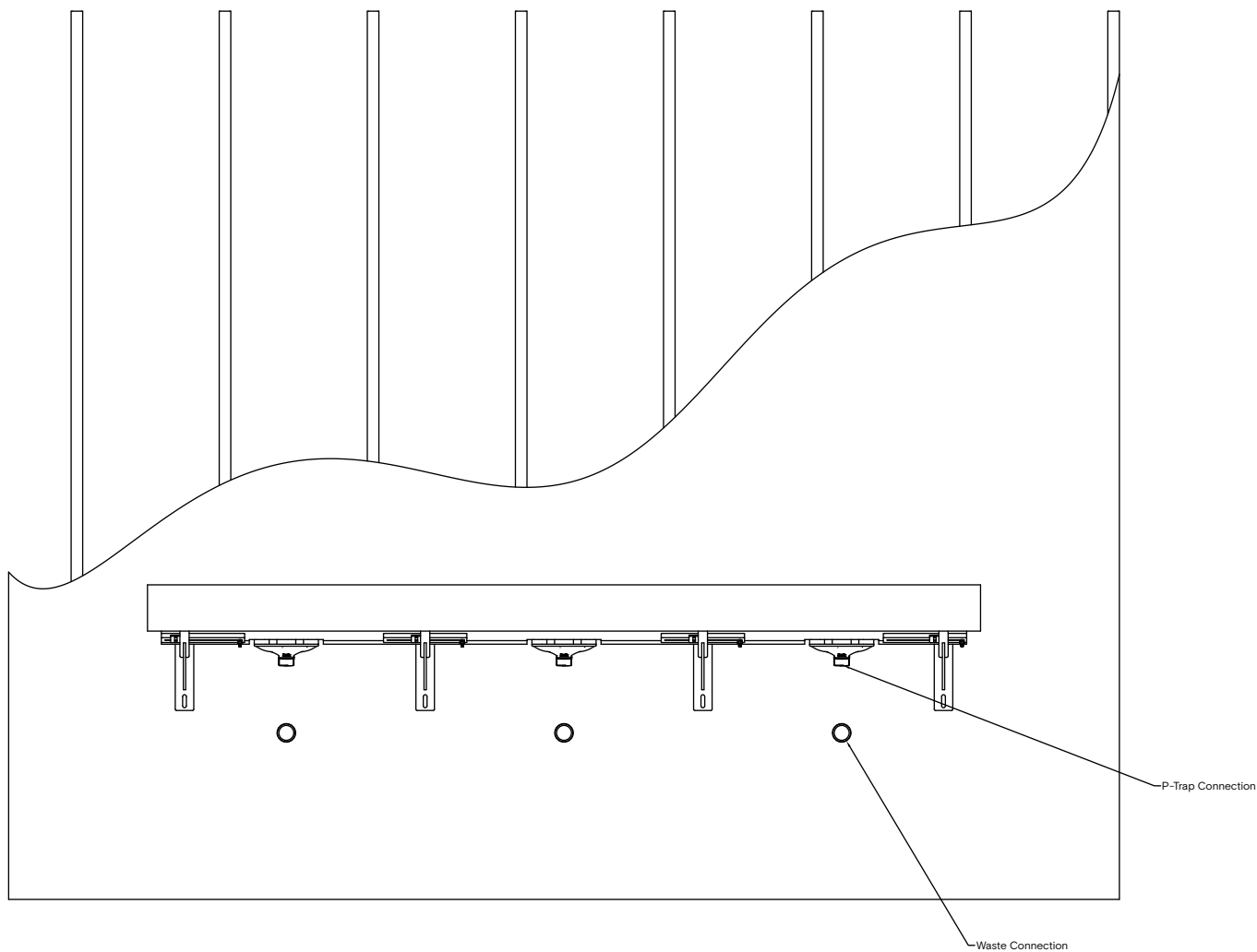
3

The wall-finish (drywall, plywood etc) can now be fitted in the normal manner.

monolith c series

before you install

3-User 90" Monolith

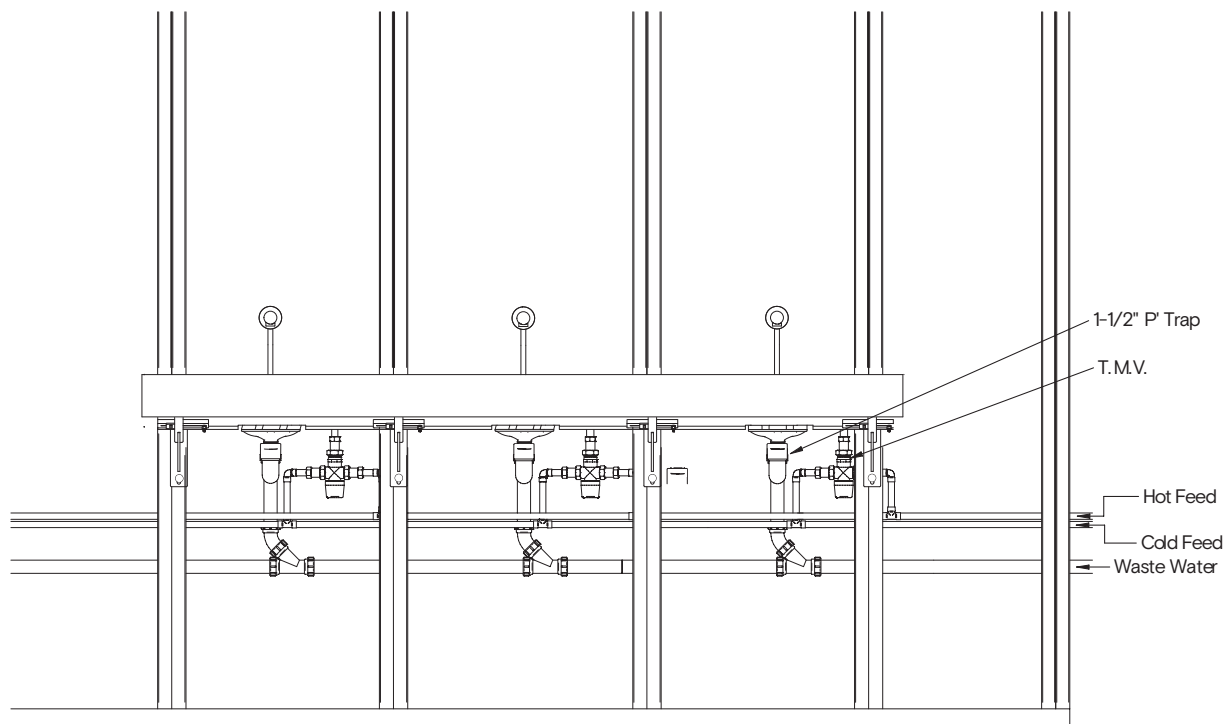


1. Ensure a water supply is provided to suit the taps in use with Monolith.
2. A waste water connection and appropriate trap is required to connect to the 1 ½" NPT thread on the waste funnel. The trap should conform to the current local plumbing codes.
3. Water supply pipes for wall-mounted faucets should be within the wall void to best allow for connection.

monolith c series

before you install

3-User 90" Monolith



Required materials not included

Hardware

Fasteners	3/8" x 2" Lag screws	2 per bracket
-----------	----------------------	---------------

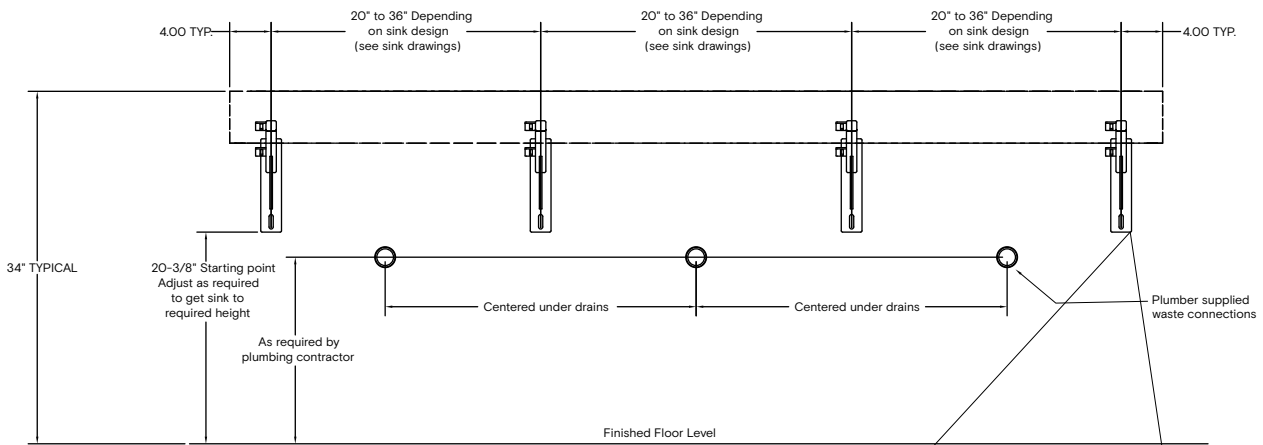
Plumbing

1 1/2" NPT P-trap	1 per user
1 1/2" drain piping to suit installation	

monolith c series installation

Length of trough (inches)	No of brackets	Suggested bracket fixing centers	Fixing height – Point A
90	4	22	32 1/8

3-User 90” Monolith

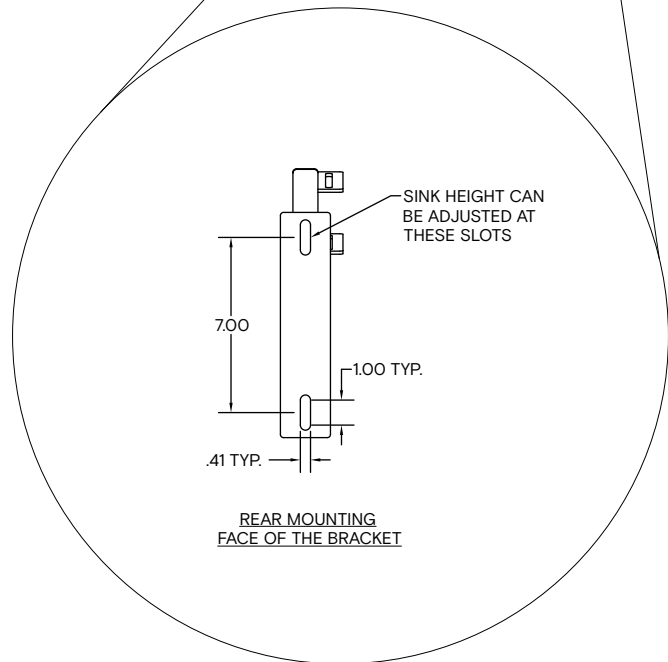


*Note: With sink upside down lay brackets on underside of sink to get installation height measurements

The bracket centers given in the table are a suggested guideline, and can be moved within a tolerance of +/- 2" to suit the wall conditions and the position of the waste outlet.

The outer end brackets should be fitted 4" in from each end; the next bracket in is to be fitted at 24" from end of the Monolith. All other brackets are to be at 24" centers between the 2nd bracket in from each end.

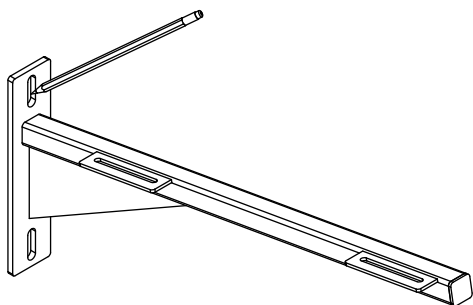
Other sizes of Monolith are fitted in the same manner. The 90" 3-user TSL.MON.C.90 is pictured for all examples in this guide. For the most accurate bracket spacing guide, please refer to the shop drawings for your project.



monolith c series installation

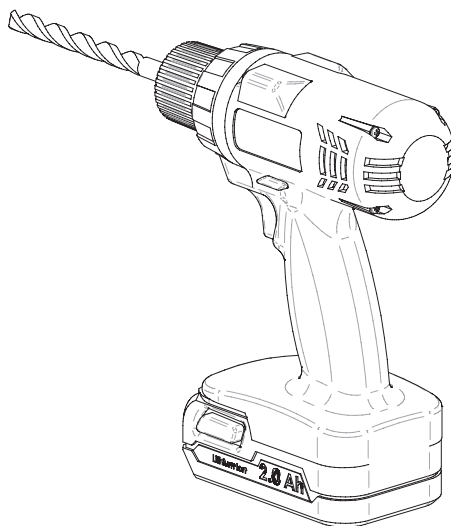
1

Mark the bracket mounting points on the wall.



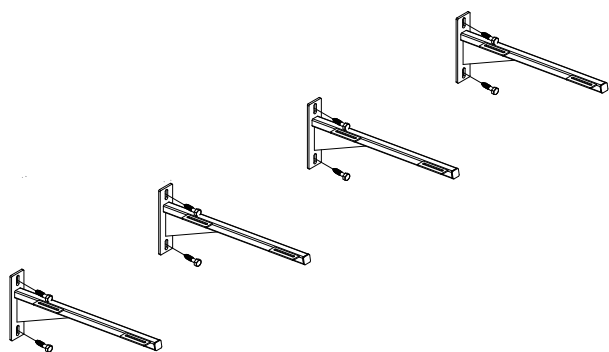
2

Drill the wall to accept the 3/8" x 2" lag screws.



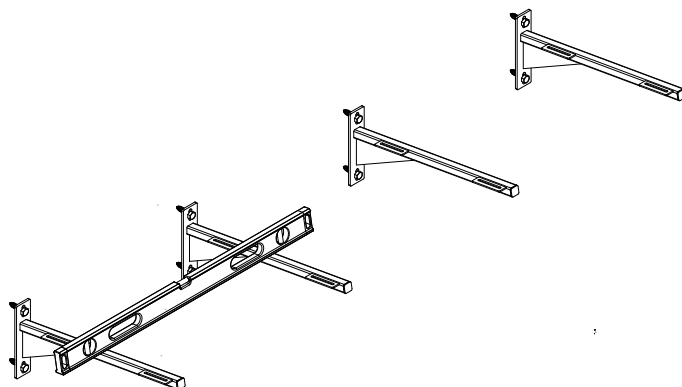
3

Attach the brackets through the mounting slots with the lag screws using the height adjustment to ensure that all the brackets are all level and fitted at the same height. It is critical that the brackets are level with one another to ensure that water drains properly out of the basin.



4

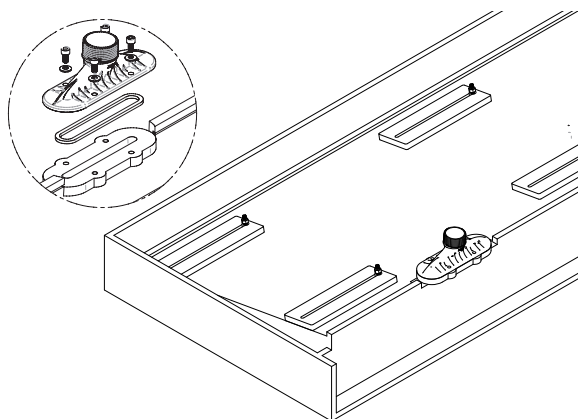
Ensure all brackets are level with each other lengthwise, at the correct height, and mounted securely so that there will be no gap between the Monolith and the wall surface.



monolith c series installation

5

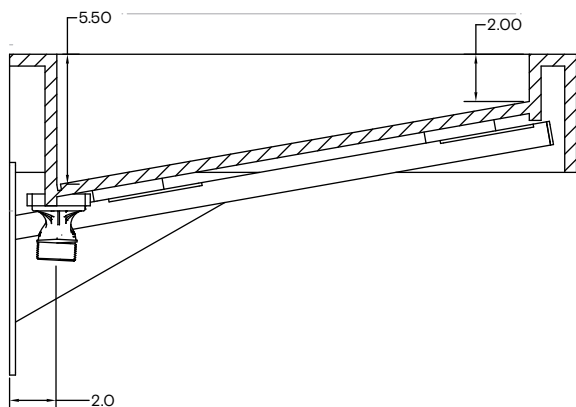
With the Monolith placed face-down, fit all waste funnels and gaskets to the funnel adapter plates on the underside of the basin. Install one bolt into each T-slot pad.



Ensure that the sealing gasket is correctly fitted into the recess on the funnel and tighten the four bolts.

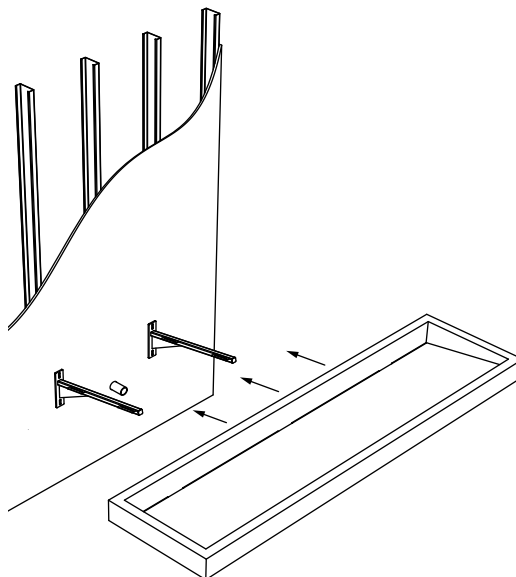
7

When the Monolith T-slot pads are resting on the brackets, slide the Monolith towards the wall until the rear edge is flush with the wall. Any side to side adjustments should be done at this point as well.



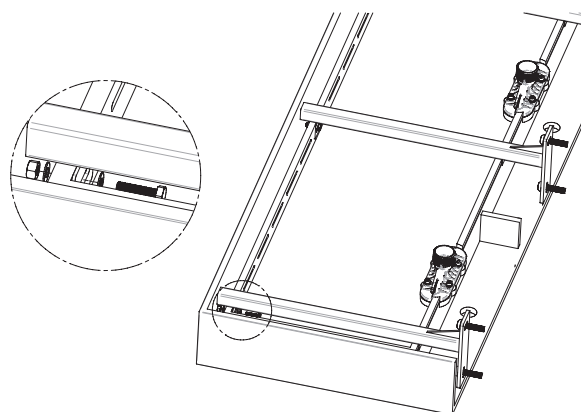
6

Lift the Monolith onto the brackets and make sure the T-slot bolts pass through the slots on the mounting brackets.



8

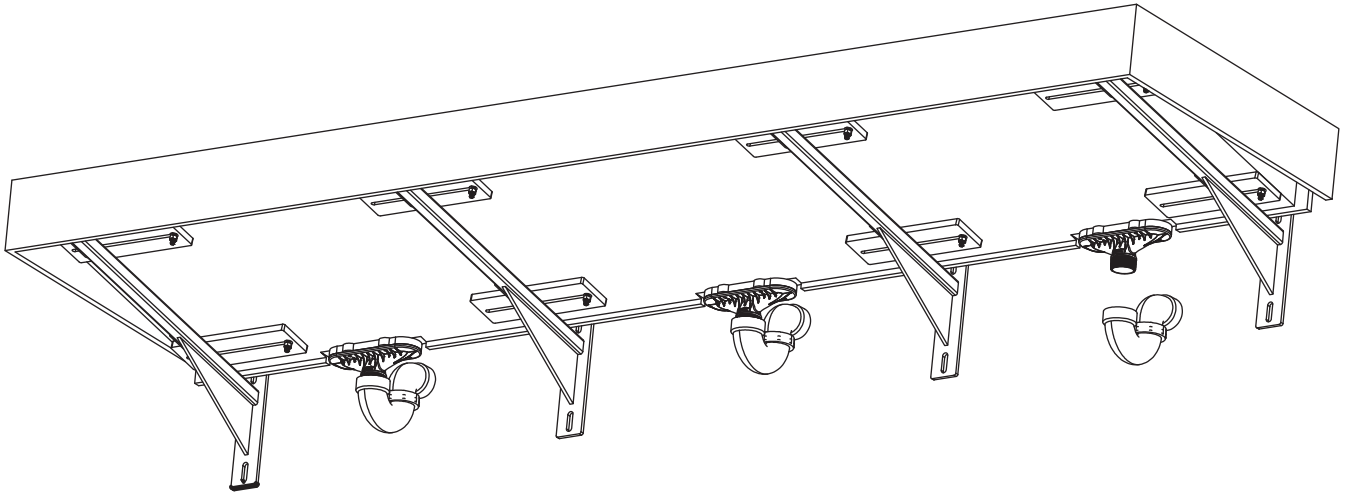
Once the Monolith is correctly in place, tighten the nuts and bolts in the T-slot pads.



monolith c series installation

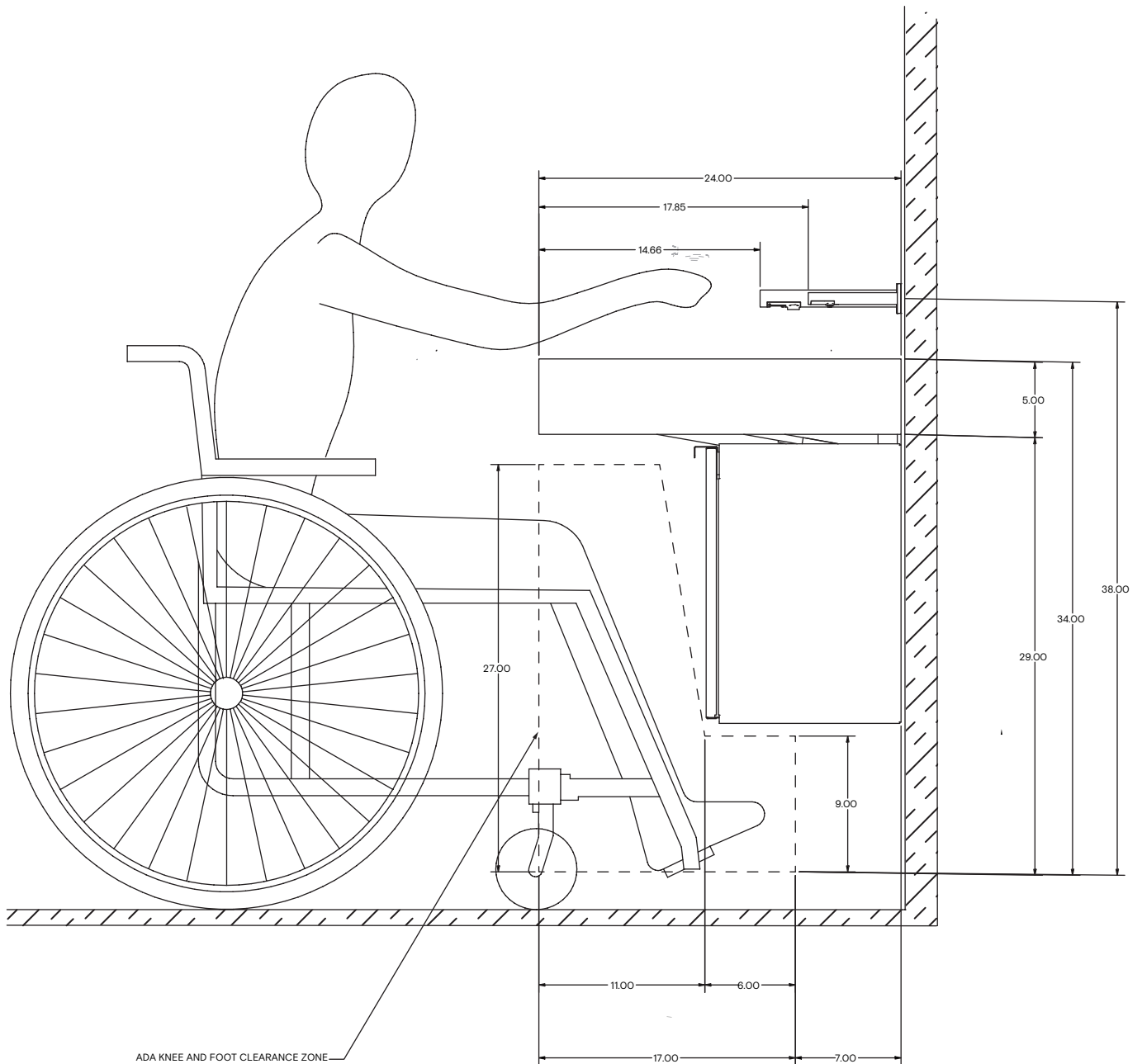
9

Fit waste trap to drain funnel



monolith c series

ADA compliance



operation

The user is to activate the faucet, either an automatic sensor faucet or a manual faucet, allow the water to flow and wash their hands in the normal manner.

maintenance

The Monolith should be periodically inspected for any damage. Also, the Monolith should be tested to ensure that the water drains out of the basin, and that the drainage waterways are not blocked with any debris.

cleaning

The Splash Lab Monolith basins are matte/satin finish, unless otherwise specified at manufacture. The surface can be cleaned with a mild solution of soapy water, ammonia-based cleaners or most commercially available solid-surface cleaners. These will remove most dirt and other residue from the surface.

Cleaning Techniques

- + Washing with soap and water is usually sufficient to remove surface dirt or stains.
- + Ammonia based liquid cleaner (not window cleaner) can also be used. Always rinse surface thoroughly and wipe dry.
- + Drying is an important step, preventing a build-up of soap film or cleaning residue, which can create the appearance of light scratches over time.
- + Stubborn soap film or cleaning residue build-up on solid surfaces are easily removed with abrasive cleaners and a white abrasive pad or sponge.
- + For darker colors, a polish may be used to enhance the shine. For areas where there is the possibility of contact with food, a polish formulated for use in food-contact areas must be used. Where food contact is not likely to occur, a simple furniture polish can be used. Always follow the manufacturer's instructions for using the polish and for safety concerns.

Cleaning Agents

The Splash Lab solid surface is unaffected by common household and commercial cleaners such as:

- + Powdered abrasive cleaners
- + Ammonia
- + String detergents
- + Oxalic acid solutions
- + Dilute hydrochloric acid solutions
- + Dilute trisodium phosphate solutions

Acid drain cleaners may cause damage

repairs

Severe scratches can be removed using 180G abrasive paper in a circular motion on the affected area. Most other damage or chips to The Splash Lab Solid Surface material can be repaired with no visible evidence.

Please contact The Splash Lab technical department for damage evaluation and repairs.

damage prevention

Some chemicals are not compatible with The Splash Lab solid surface. Contact should be avoided with the following chemicals:

- + Strong chlorinated solvents
- + Chloroform
- + Ketones
- + Methylene chloride (paint removers)
- + Very strong acids such as concentrated sulphuric and hydrochloric acids
- + Acid drain cleaners should not be used.

Surfaces exposed to these agents should be promptly flushed with water. Contact for even a short period of time can cause surface damage, spots, or staining. Follow the recommended repair procedures described above as needed to repair and/or restore the surface to its original condition. Severe damage caused by incompatible chemical contact will require professional repair. Again, contact The Splash Lab technical department for assistance.

faucets

See individual installation + maintenance guide for sensor faucets (where applicable)

soap dispensers

See individual installation + maintenance guide for soap dispensers (where applicable)

warranty

We believe the future is personal. With a global mindset, we challenge conventional restroom norms via product innovation to create considered washroom solutions for corporate and educational spaces. We use rich raw materials, cutting-edge automation and considered washroom design to powerfully and positively influence the lives of people. We are The Splash Lab.

Demonstrating our commitment to quality and our belief in the strength of our designs, we can offer the following warranties.

The Splash Lab will warrant that its products will be free of manufacturing and material defects during normal use and environmental conditions as detailed below:

Monolith hand wash units 1 year for manufactured product; 10 years for material used

If a defect is found in normal use, The Splash Lab will, at their discretion, repair, provide a replacement part or product, or make appropriate adjustments. Damage caused by accident, misuse, or abuse is not covered by this warranty. Improper care and cleaning will void the warranty.

Non-operation of the product due to environmental conditions beyond our control, installation error, incorrect maintenance, water quality, fair wear and tear, incorrect or inappropriate installation, misuse and abuse is not covered by the warranty.

Proof of purchase (original sales receipt) must be provided to The Splash Lab with all warranty claims. The above warranty is valid for goods supplied within North America.

For goods supplied outside of North America, The Splash Lab will honour the above stated warranty periods for the parts only.

THE SPLASH LAB DISCLAIM ANY LIABILITY FOR SPECIAL, INCIDENTAL OR CONSEQUENTIAL DAMAGES.

contact



General information

310 410 5008

Showroom:

8745 Washington Boulevard, Studio D, Culver City CA 90232

Warehouse + Offices:

20809 Higgins Court, Torrance CA 90501

Technical support

info@thesplashlabusa.com

For further contact information visit:

www.thesplashlabusa.com

