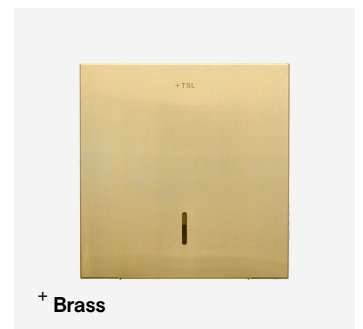
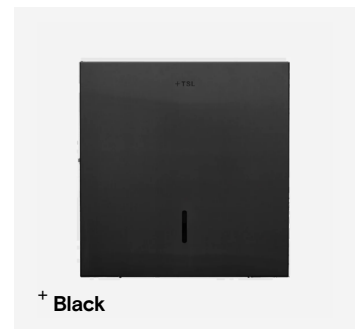


Wall-Mounted Toilet Paper Holder

TSL.842

A wall-mounted toilet paper holder made from AISI 304 type stainless steel in a brushed satin finish. Housing hinges open at flush lock for easy refilling.

Finish	Codes
● Black	TSL.842.BK
● Brass	TSL.842.BR
● Satin	TSL.842.CS
● Copper	TSL.842.CP



Included

Toilet paper holder

Fixing screws x4

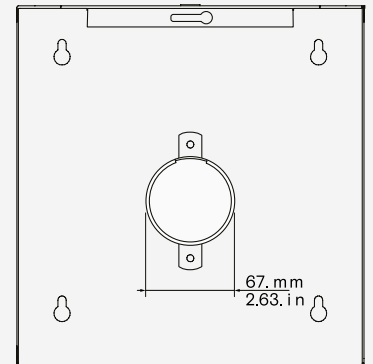
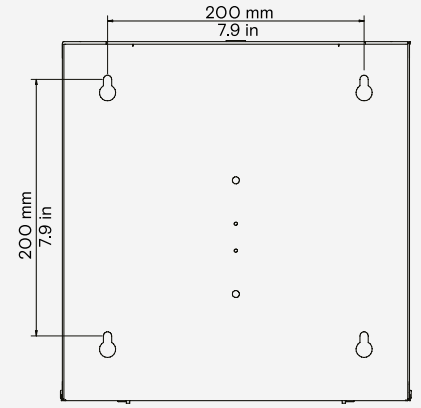
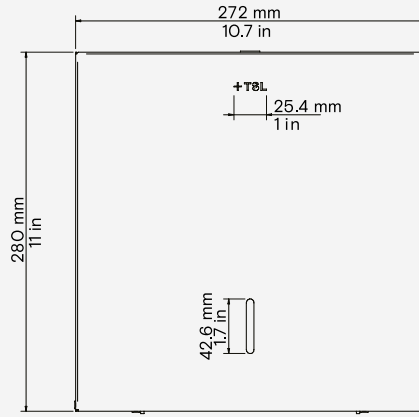
Drywall anchors x4

Key**Not Included**

Toilet paper**Compliance & Certificates**

CE

UL

RoHS**+ Technical Drawing****Technical Data**

Weight	4.2 lb
Stainless steel grade	AISI 304

Installation Requirements

Substrate	Must be attached to a stud, backing plate or blocking.
-----------	--

Warranty

TSL backs every accessory with a lifetime guarantee against material defect in the finish.
For warranty terms and conditions please visit www.thesplashlab.com/usa/warranty

Replacement Parts

Please contact The Splash Lab at info.usa@thesplashlab.com for further information.
