

# MONOLITH

Basin System

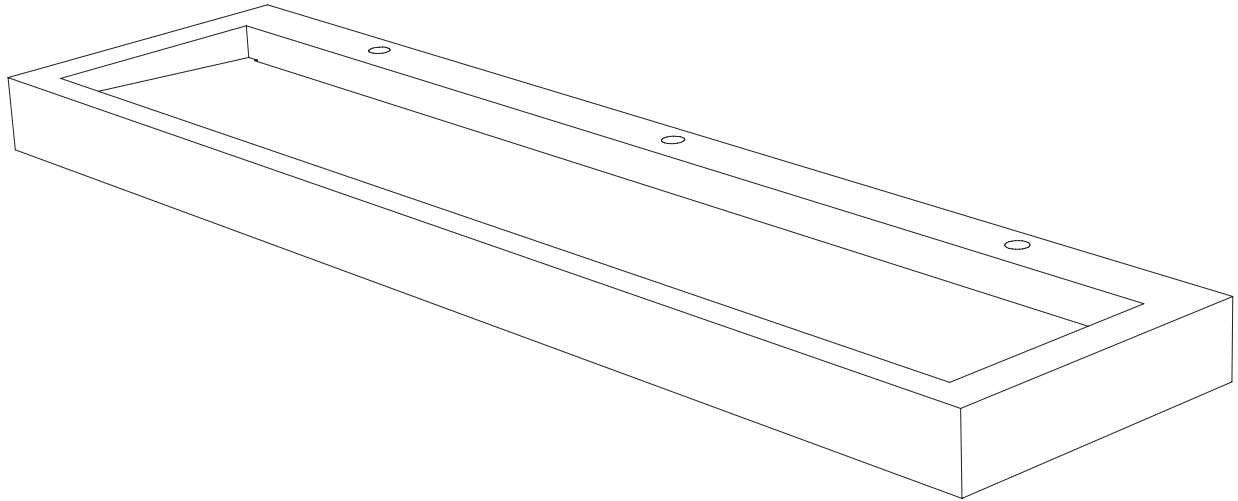
installation + maintenance

+  
THE  
SPLASH  
LAB

# contents

<b>3</b>	Monolith 5
<b>4</b>	Components List
<b>5</b>	Technical Data
<b>6</b>	Before you Install
<b>10</b>	Installation
<b>14</b>	ADA Compliance
<b>15</b>	Operation
<b>15</b>	Maintenance
<b>16</b>	Cleaning
<b>16</b>	Repairs
<b>17</b>	Damage Prevention
<b>17</b>	Faucets
<b>17</b>	Soap Dispensers
<b>18</b>	Warranty

# monolith system 5



## Monolith System 5

---

The Splash Lab Monolith System 5 is a slim profile multi-user basin, constructed from solid surface material, well suited to commercial and public restrooms.

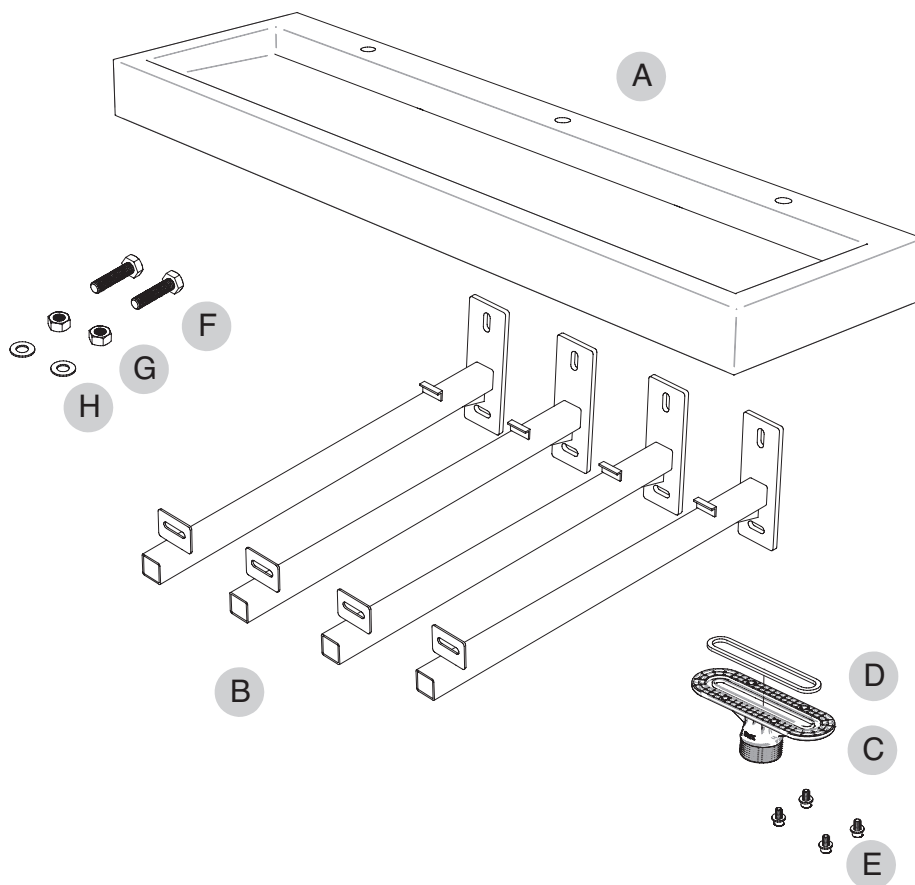
installation + maintenance

+  
THE  
SPLASH  
LAB

# monolith system 5

## components list

### 3-User 72" Monolith



		<b>72"</b>
A	Trough	1
B	Mounting bracket	4
C	Drainage funnel	3
D	Drainage funnel gasket	3
E	Drainage funnel fixings (M6 x 12 screw and washer)	12
F	Mounting bolts 1 1/4" x 1/4 UNC	4
G	Fixing nuts 1/4 UNC	4
H	Washers	8

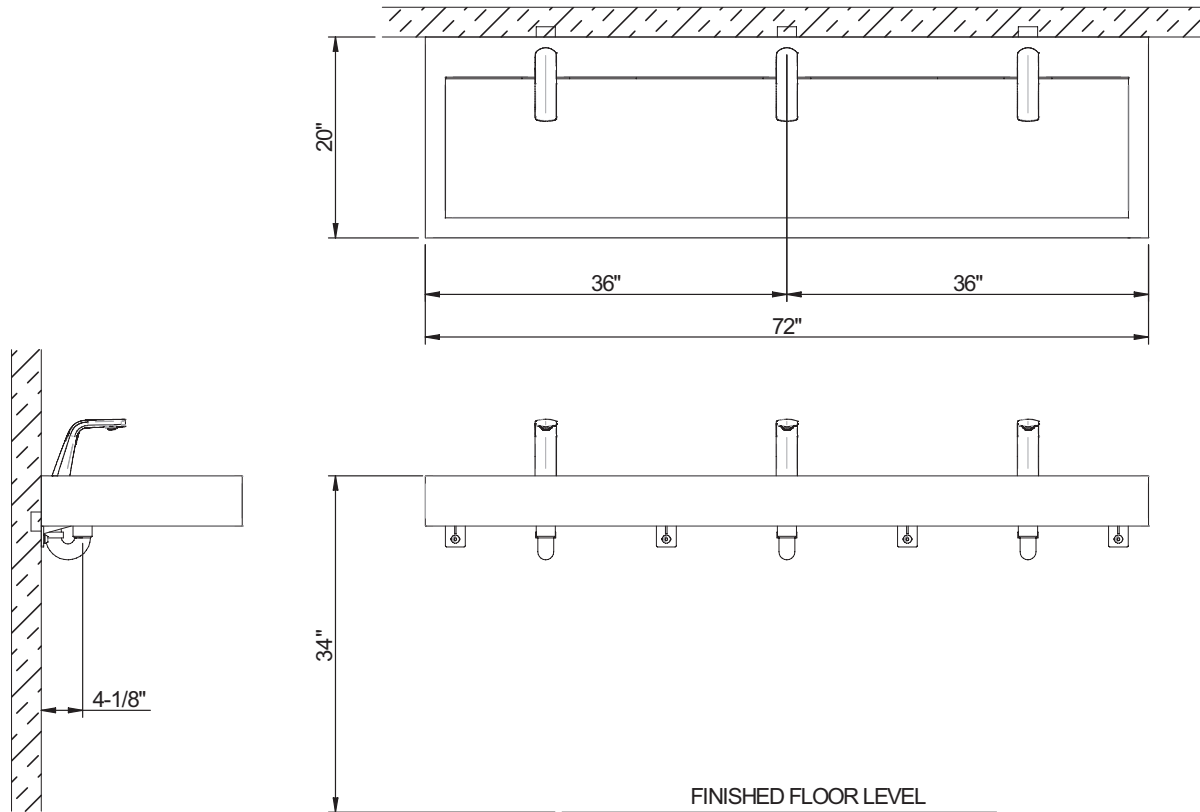
For bespoke sizes (not listed above), use the basin size below the size you have to calculate the number of fixings and brackets that should be included. For example, for a 80" bespoke length Monolith, refer to the column for a 72" Monolith.

Please check that all components are included and advise The Splash Lab if any parts are missing. Fixings are not included for fastening the brackets to the wall as each location is different. The Splash Lab recommend that you consult a fixings specialist for advice on the most appropriate fixing method for your project.

# monolith system 5

## technical data

### 3-User 72" Monolith



	<b>72"</b>
Material	Solid surface
Weight	80lbs
Overall dimensions	72 x 20 x 5"
Waste connections	3

# monolith system 5

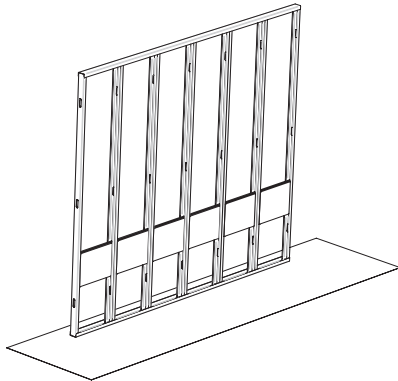
## before you install / steel stud wall

The wall structure that the Monolith is to be fixed to should be sufficiently strong to support the weight of the Monolith. Refer to table on page 4 for weight of the Monolith.

It is recommended that a minimum of a 4" void is allowed behind the fixing wall for ease of access to the plumbing connections. It is also recommended that access panels are created as part of the wall construction to allow for initial installation and maintenance of the fittings. Depending on the individual installation, the access panel could be either above or below the Monolith.

### 1

The wall section where the Monolith is to be fixed should be constructed using back-to-back studs to provide the additional support that is needed. These studs should be fixed to each other in accordance with the recommendations of the manufacturer of the walling system. 2 thicknesses of 3/4" plywood blocking must be fixed to the wall frame where the Monolith will be fitted.



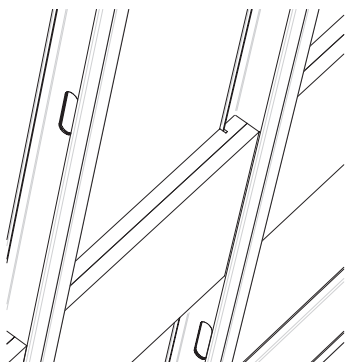
### 2

The plywood should be fixed at the heights as shown below. This will provide sufficient support and will allow the Monolith to be fitted to comply with the current ADA / ANSI regulations.



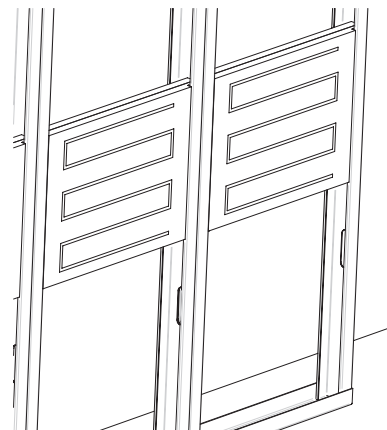
### 3

Cut a saw-kerf width slot in the face of one of the sections of plywood to accept the flange on steel studwork, as shown. Fix the plywood to the steel using appropriate wall-construction fixings. The second layer of plywood is now to be fitted to the back of the 1st piece using flat-head woodscrews at 6" centres.



### 4

Apply a bead of wall panel adhesive at 2" centres to the plywood as shown and then the wall finish (drywall, plywood etc) can now be fitted in the normal manner.



# monolith system 5

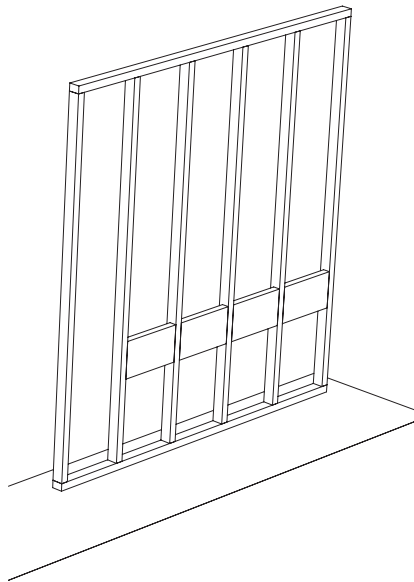
## before you install / steel stud wall

It is recommended that a timber stud framework is constructed to support the Monolith using construction-grade 2" x 4" uprights and rails. This will leave enough void within the wall for the required services for the plumbing installation.

For maximum strength, it is better if the upright studs can be fitted at centres corresponding to the fixing points for the Monolith brackets. If this is not possible, then the wall must be strengthened as below.

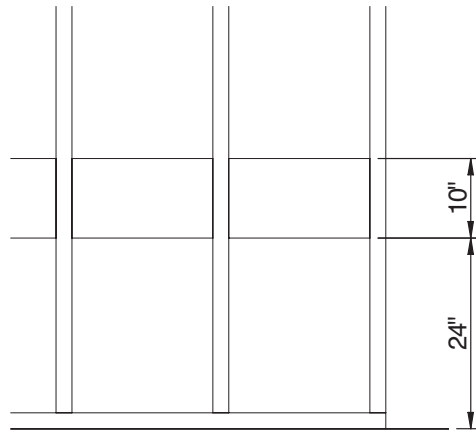
### 1

The wall section where the Monolith is to be fixed should be reinforced using 2" x 10" timber blocking to provide the additional support that is needed.



### 2

The timber blocking should be fixed at heights as shown below. This will provide sufficient support and will allow the Monolith to be fitted to comply with the current ADA / ANSI regulations.



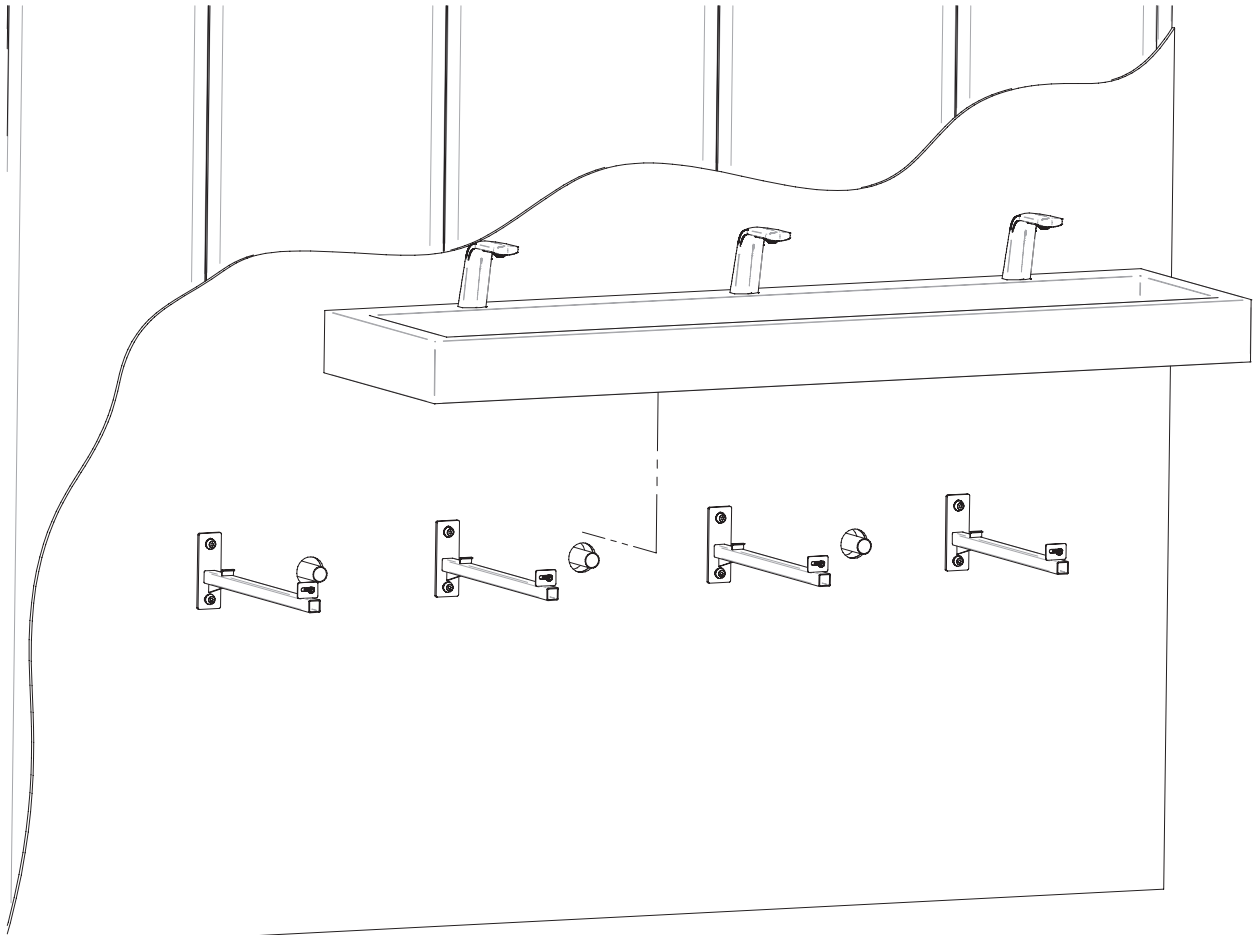
### 3

The wall-finish (drywall, plywood etc) can now be fitted in the normal manner.

# monolith system 5

## before you install

### 3-User 72" Monolith



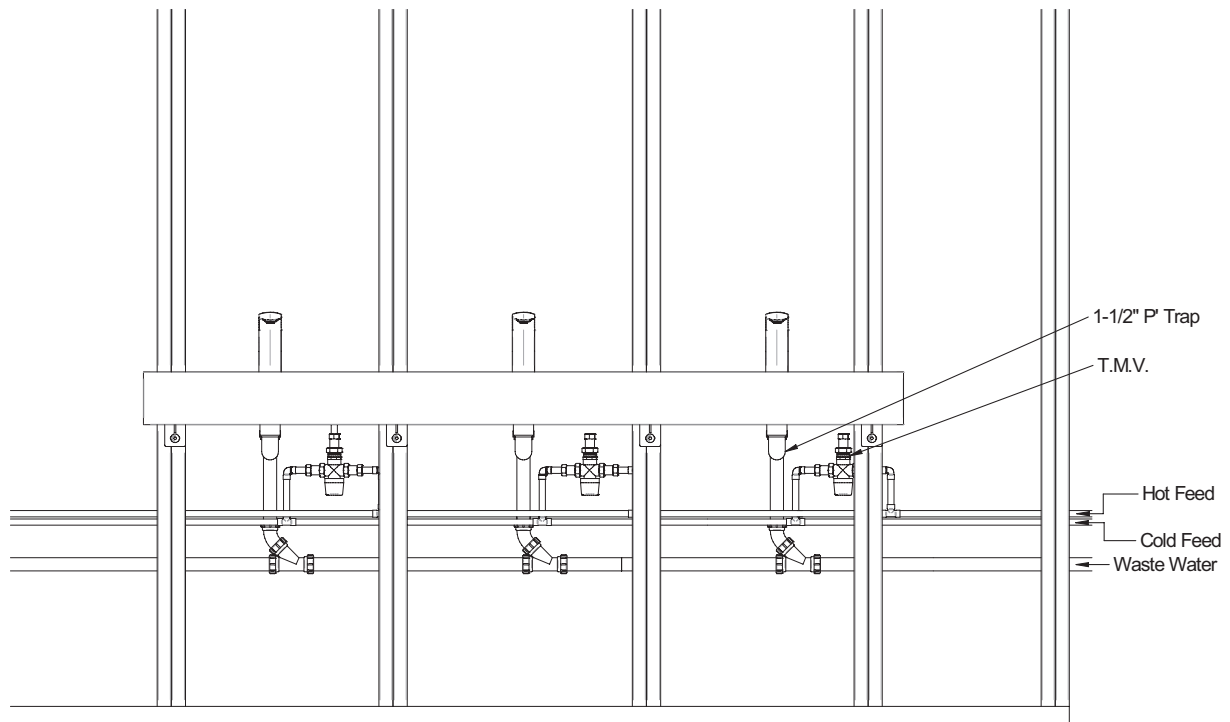
1. A water supply would need to be provided to suit the taps that have been selected for use with the Monolith.
2. A waste water connection and appropriate trap is required to connect to the 1 ½ "NPT thread on the waste funnel. The trap should conform to the current local plumbing codes.
3. For Monoliths with wall-mounted faucets, the water supply pipes should be within the wall void to allow for connection to wall-mounted faucets.
4. For Monoliths with deck-mounted faucets the water supply should be routed to be underneath the trough to allow for connection to deck-mounted faucets.



# monolith system 5

## before you install

### 3-User 72" Monolith



#### Materials required for installation

Fasteners	3/8" x 2" Lag screws	3 per bracket
-----------	----------------------	---------------

#### Plumbing

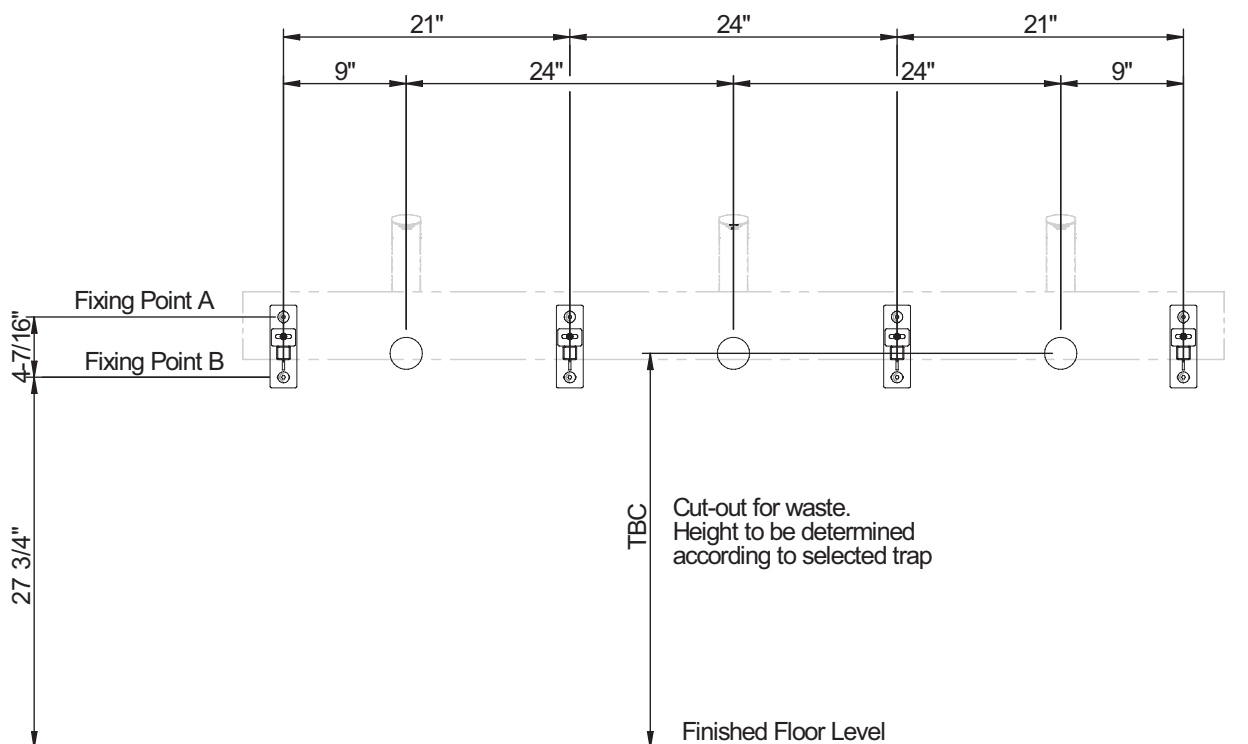
1 1/2" NPT P-trap	1 per user
-------------------	------------

1 1/2" drain piping to suit installation	
--	--

# monolith system 5 installation

Length of trough (inches)	No of brackets	Suggested Bracket fixing centres	Fixing height – Point A
72	4	22	32 1/8

## 3-User 72" Monolith



The fixing centres given in the table are only a guide, so can be moved within a tolerance of +/- 2" to suit the wall conditions and the position of the waste outlet.

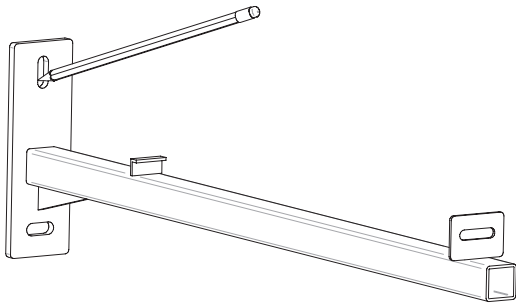
The outer end brackets should be fitted 3" in from each end; the next bracket in is to be fitted at 24" from end of the Monolith. All other brackets are to be at 24" centres between the 2nd bracket in from each end.

Other sizes of Monolith are fitted in the same manner.

# monolith system 5 installation

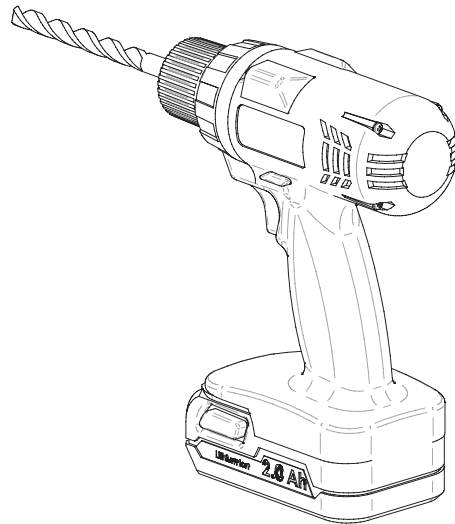
**1**

Mark the bracket fixing points on the wall.



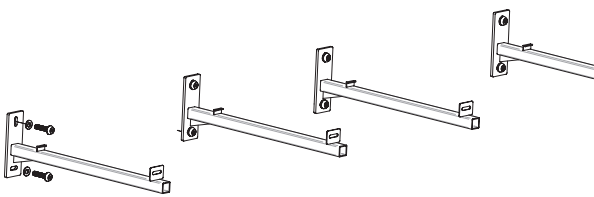
**2**

Drill the wall to accept the 3/8" x 2" lag screws.



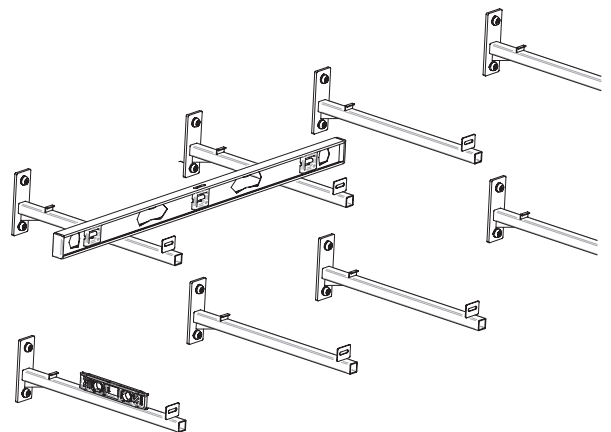
**3**

Attach the brackets through fixing point A with the lag screws using the height adjustment to ensure that all the brackets are all level and fitted at the same height. It is critical that the brackets are fixed level so that the water drains out of the Monolith.



**4**

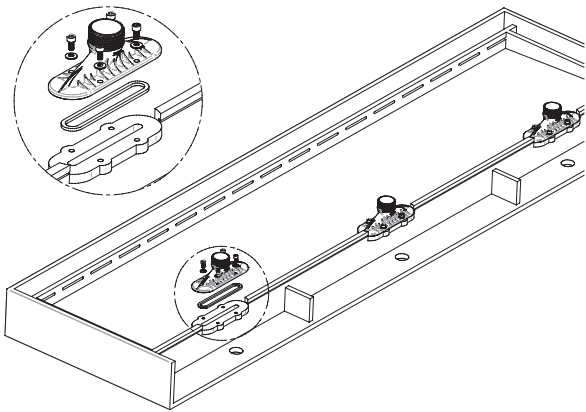
Ensure all the brackets are level along their length so that there will not be a gap between the Monolith and the wall. Securely fix the brackets with lag screws through fixing point B.



# monolith system 5 installation

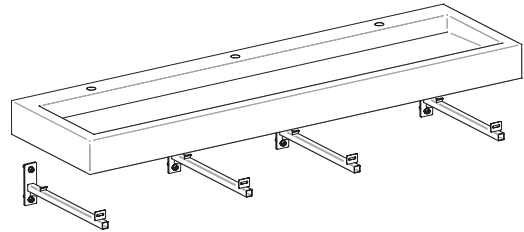
**5**

With the Monolith placed face-down, fit the waste funnel to the funnel adapter plate on the underside of the basin.



**6**

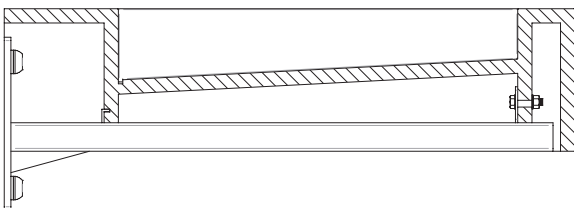
Lift Monolith over the front of the mounting tabs onto the wall brackets



Ensure that the sealing gasket is correctly fitted into the recess on the funnel and tighten the 4 fixing bolts.

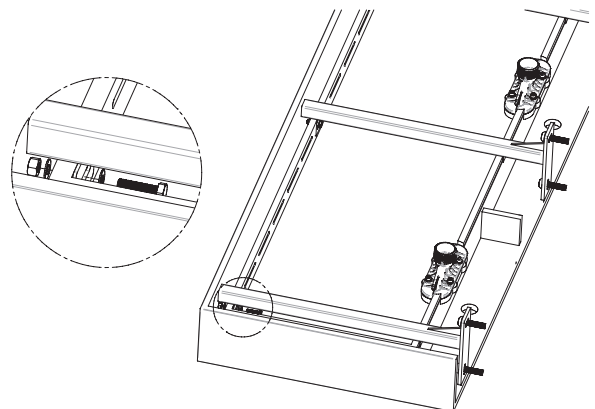
**7**

When rear of the Monolith is resting on brackets, slide towards the wall until the tabs are sitting against the front mounting rail on the Monolith. The front tab on the bracket must locate into the corresponding groove on the front mounting rail on the Monolith.



**8**

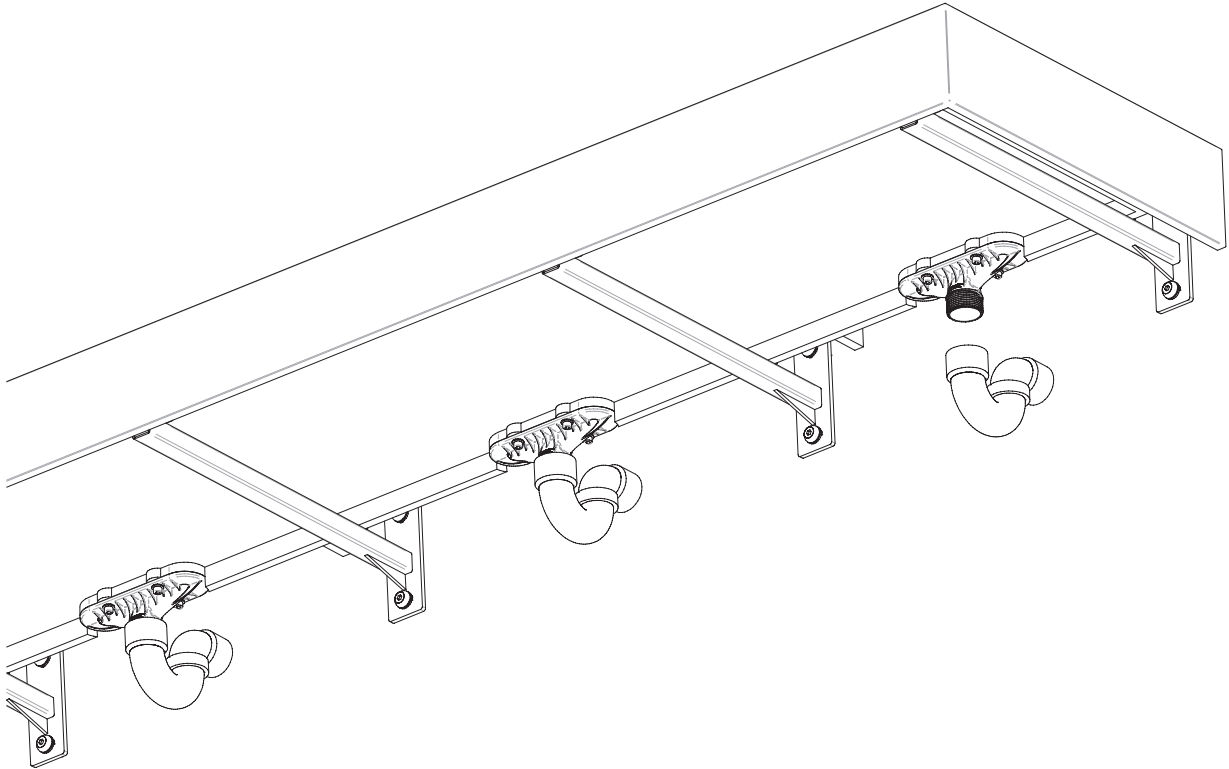
Once the Monolith is in place, mount it to the wall brackets through the mounting rail using the screws and nuts provided.



# monolith system 5 installation

9

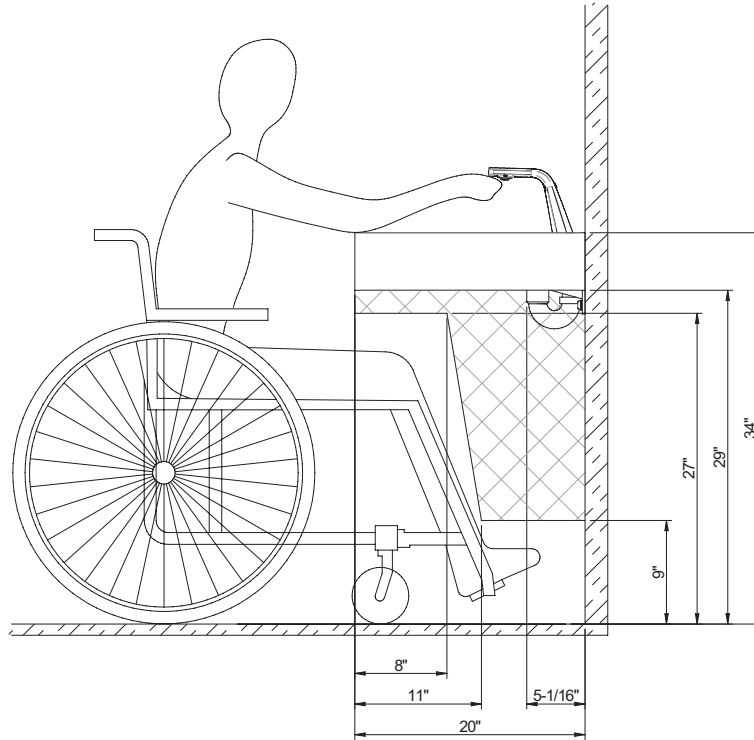
Fit waste trap to drain funnel



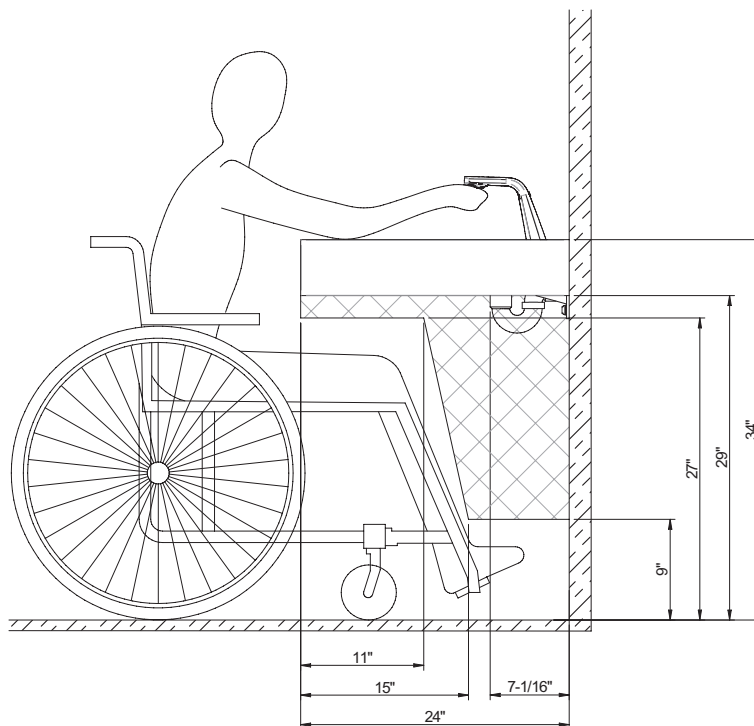
# monolith system 5

## ADA compliance

### 20" Monolith



### 24" Monolith



# operation

The user is to activate the faucet, either an automatic sensor faucet or a manual faucet, allow the water to flow and wash their hands in the normal manner.

# maintenance

The Monolith should be periodically inspected for any damage. Also, the Monolith should be tested to ensure that the water drains out of the basin, and that the drainage waterways are not blocked with any debris.

# cleaning

The Splash Lab Monoliths are finished in a matt / satin finish, unless otherwise specified at manufacture. The surface can be cleaned with a mild solution of soapy water, ammonia-based cleaners or most commercially available solid-surface cleaners. These will remove most dirt and other residue from the surface.

## Cleaning Techniques

- + Washing with soap and water is usually sufficient to remove surface dirt or stains.
- + Ammonia based liquid cleaner (not window cleaner) can also be used. Always rinse surface thoroughly and wipe dry.
- + Drying is an important step, preventing a build-up of soap film or cleaning residue, which can create the appearance of light scratches over time.
- + Stubborn soap film or cleaning residue build-up on solid surfaces are easily removed with abrasive cleaners and a white abrasive pad or sponge.
- + For darker colours, a polish may be used to enhance the shine. For areas where there is the possibility of contact with food, a polish formulated for use in food-contact areas must be used. Where food contact is not likely to occur, a simple furniture polish can be used. Always follow the manufacturer's instructions for using the polish and for safety concerns.

## Cleaning Agents

The Splash Lab solid surface is unaffected by common household and commercial cleaners such as:

- + Powdered abrasive cleaners
- + Ammonia
- + String detergents
- + Oxalic acid solutions
- + Dilute hydrochloric acid solutions
- + Dilute trisodium phosphate solutions

Acid drain cleaners may cause damage

# repairs

Severe scratches can be removed using 180G abrasive paper in a circular motion on the affected area. Most other damage or chips to The Splash Lab Solid Surface material can be repaired with no visible evidence.

Please contact The Splash Lab technical department for damage evaluation and repairs.



# damage prevention

Some chemicals are not compatible with The Splash Lab solid surface. Contact should be avoided with the following chemicals:

- + Strong chlorinated solvents
- + Chloroform
- + Ketones
- + Methylene chloride (paint removers)
- + Very strong acids such as concentrated sulphuric and hydrochloric acids
- + Acid drain cleaners should not be used.

Surfaces exposed to these agents should be promptly flushed with water. Contact for even a short period of time can cause surface damage, spots, or staining. Follow the recommended repair procedures described above as needed to repair and/or restore the surface to its original condition. Severe damage caused by incompatible chemical contact will require professional repair. Again, contact The Splash Lab technical department for assistance.

## faucets

See separate O & M manual for maintenance of sensor faucets (where applicable)

## soap dispensers

See separate O & M manual for maintenance of soap dispensers (where applicable)

# warranty

We believe the future is personal. With a global mindset, we challenge conventional restroom norms via product innovation to create considered washroom solutions for corporate and educational spaces. We use rich raw materials, cutting-edge automation and considered washroom design to powerfully and positively influence the lives of people. We are The Splash Lab.

Demonstrating our commitment to quality and our belief in the strength of our designs, we can offer the following warranties.

The Splash Lab will warrant that its products will be free of manufacturing and material defects during normal use and environmental conditions as detailed below:

## **Monolith hand wash units    1 year for manufactured product; 10 years for material used**

If a defect is found in normal use, The Splash Lab will, at their discretion, repair, provide a replacement part or product, or make appropriate adjustments. Damage caused by accident, misuse, or abuse is not covered by this warranty. Improper care and cleaning will void the warranty.

Non-operation of the product due to environmental conditions beyond our control, installation error, incorrect maintenance, water quality, fair wear and tear, incorrect or inappropriate installation, misuse and abuse is not covered by the warranty.

Proof of purchase (original sales receipt) must be provided to The Splash Lab with all warranty claims. The above warranty is valid for goods supplied within North America.

For goods supplied outside of North America, The Splash Lab will honour the above stated warranty periods for the parts only.

**THE SPLASH LAB DISCLAIM ANY LIABILITY FOR SPECIAL, INCIDENTAL OR CONSEQUENTIAL DAMAGES.**





Designed in UK



Crafted in USA