

The Monolith A Series

The Type A series is an ADA-compliant, solid surface sink designed for use with deck-mounted fixtures. This basin style is also available in two, three, or four-user lengths. Optional pipeskirts are available in three finishes.

+ TSL.MON.A.30.1



+ TSL.MON.A.30.PS1.SS.1



+ TSL.MON.A.30.PS1.WH.1



+ TSL.MON.A.30.PS2.BK.1



+ TSL.MON.A.30.PS2.SS.1



+ TSL.MON.A.30.PS2.SS.1



+ TSL.MON.A.30.PS1.BK.1



| Variant code | Size | Users | Optional pipeskirts | Finish | Fixture holes |
|----------------------|-------------|-------|---------------------|-------------------|---------------|
| TSL.MONA.30.1 | 30"L x 24"D | One | | | One |
| TSL.MONA.30.2 | 30"L x 24"D | One | | | Two |
| TSL.MONA.30.3 | 30"L x 24"D | One | | | Three |
| TSL.MONA.30.PS1.SS.1 | 30"L x 24"D | One | Angled pipeskirt | Stainless steel | One |
| TSL.MONA.30.PS1.BK.1 | 30"L x 24"D | One | Angled pipeskirt | Black powder coat | One |
| TSL.MONA.30.PS1.WH.1 | 30"L x 24"D | One | Angled pipeskirt | White powder coat | One |
| TSL.MONA.30.PS2.SS.1 | 30"L x 24"D | One | Straight pipeskirt | Stainless steel | One |
| TSL.MONA.30.PS2.BK.1 | 30"L x 24"D | One | Straight pipeskirt | Black powder coat | One |
| TSL.MONA.30.PS2.WH.1 | 30"L x 24"D | One | Straight pipeskirt | White powder coat | One |
| TSL.MONA.30.PS1.SS.2 | 30"L x 24"D | One | Angled pipeskirt | Stainless steel | Two |
| TSL.MONA.30.PS1.BK.2 | 30"L x 24"D | One | Angled pipeskirt | Black powder coat | Two |
| TSL.MONA.30.PS1.WH.2 | 30"L x 24"D | One | Angled pipeskirt | White powder coat | Two |
| TSL.MONA.30.PS2.SS.2 | 30"L x 24"D | One | Straight pipeskirt | Stainless steel | Two |
| TSL.MONA.30.PS2.BK.2 | 30"L x 24"D | One | Straight pipeskirt | Black powder coat | Two |
| TSL.MONA.30.PS2.WH.2 | 30"L x 24"D | One | Straight pipeskirt | White powder coat | Two |
| TSL.MONA.30.PS1.SS.3 | 30"L x 24"D | One | Angled pipeskirt | Stainless steel | Three |
| TSL.MONA.30.PS1.BK.3 | 30"L x 24"D | One | Angled pipeskirt | Black powder coat | Three |
| TSL.MONA.30.PS1.WH.3 | 30"L x 24"D | One | Angled pipeskirt | White powder coat | Three |
| TSL.MONA.30.PS2.SS.3 | 30"L x 24"D | One | Straight pipeskirt | Stainless steel | Three |
| TSL.MONA.30.PS2.BK.3 | 30"L x 24"D | One | Straight pipeskirt | Black powder coat | Three |
| TSL.MONA.30.PS2.WH.3 | 30"L x 24"D | One | Straight pipeskirt | White powder coat | Three |

Technical Data

| | |
|---------------------|--|
| Sink | 100% solid surface (acrylic/resin) |
| Brackets | Stainless steel |
| Pipeskirts | Stainless steel (brushed or powder-coated) |
| Fabrication | Fabricated in Los Angeles and British Columbia by CNC machine with hand-finishing. |
| Wall construction | Brackets included. Installer should ascertain that wall construction is sufficiently designed to support the Monolith. |
| Fixed height | See Drawing |
| Wall Fixings | Must be fixed to a suitable wall substrate to allow for the correct use of the Monolith. The Splash Lab recommend that installers contact a fixings specialist for advice to ensure the correct fixings are used for the location. Wall fixings are not included with the Monolith |
| Plumbing | Connection to 1 ¼" waste outlet required. (one connection per user) Installer to provide water for taps. See separate data sheet for The Splash Lab sensor taps. |
| Access requirements | Solenoid and isolation valves must be accessible for initial installation & commissioning and for ongoing and routine maintenance |

Installation requirements

ADA

Follow ADA basin height requirements to ensure compliance. Two pipeskirt styles are available to conceal the pipe system.

Side skirts

Optional caps for pipeskirts where sink is installed with exposed sides.

Compliance & certificates

IPC 2009, 2012, 2015,2018, 2021 IRC 2009, 2012, 2015,2018

UPC 2009, 2102, 2015, 2018, 2021 NPC 2005, 2010. 2015

CSA B45.5 / IAPMO Z124-2107 ADA

LEED

Continued on next page

Included

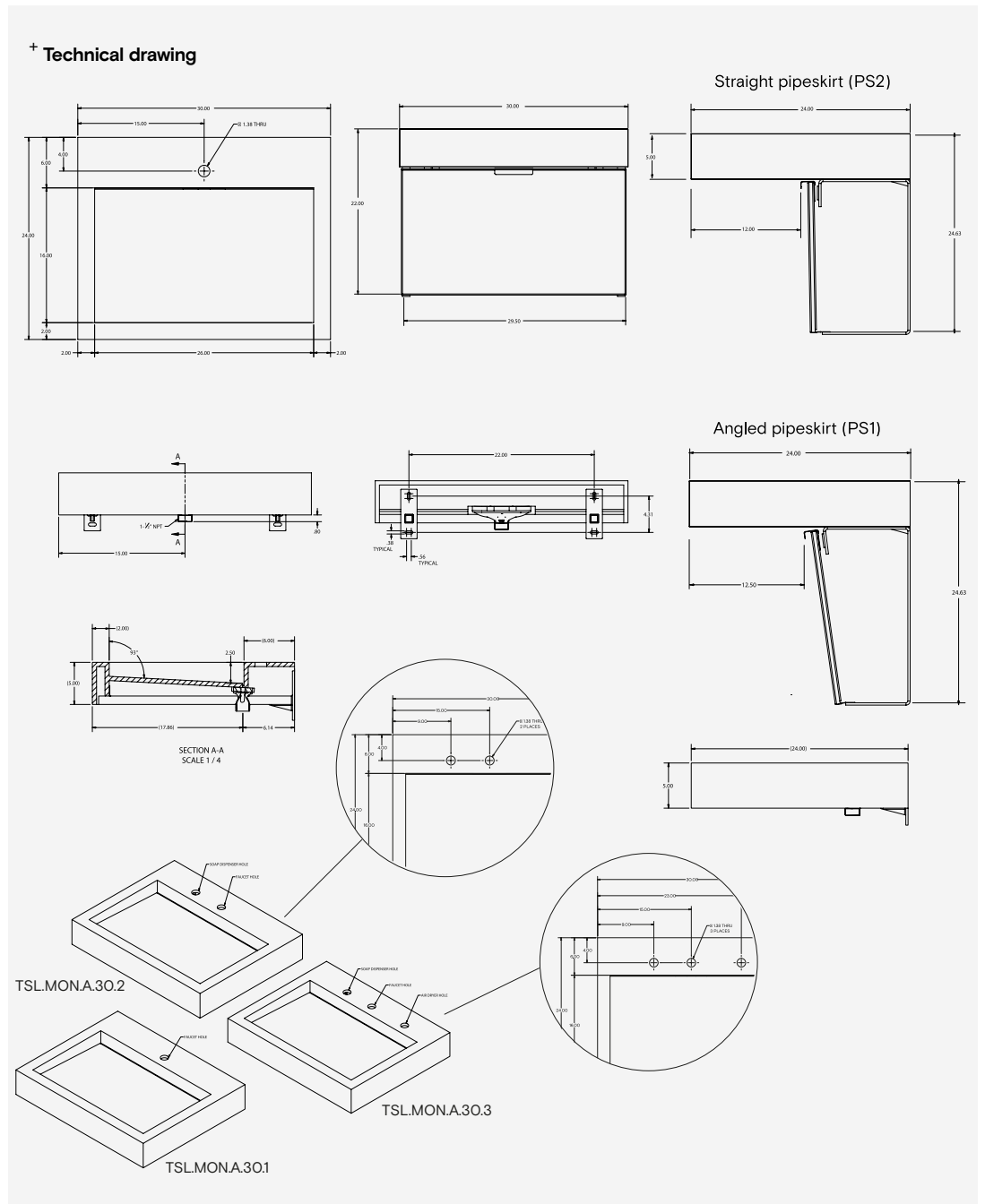
- _____ Monolith basin
- _____ Straight mounting bracket
- _____ Drainage funnel
- _____ Drainage funnel gasket
- _____ Drainage funnel screws (M6 x 12 screw and washer)
- _____ Mounting bolts 1/4-20 UNC x 3/4"
- _____ Lock nuts 1/4-20 UNC
- _____ Washers

Not included

- _____ Deck-mounted fixtures
- _____ Drainage connection pipe

Warranty

10 years on solid surface



Spare parts

If a situation arises where you require replacement components outside of a maintenance contract, there may be provision to obtain spare parts. Providing the components are under warranty and the parts have become non-functioning during normal use within their assumed usable life, they may be replaced. Should a replacement mains power supply be required it is imperative that an identical type is used. Contact **The Splash Lab** for further information.

Related products



The Ribbon Faucet
TSL.R.020.CS



The Monolith B Series
TSL.MON.B



The Monolith C Series
TSL.MON.C