

TSL.GR.45.18

TSL.GR.45.24

TSL.GR.45.36

TSL.GR.45.42

straight grab rail

installation + maintenance

+
**THE
SPLASH
LAB**

contents

2	Technical Data
3	Before You Install
5	How to Install
6	Cleaning
6	Maintenance
6	Operation
7	Warranty
Back Cover	Contact Details

technical data

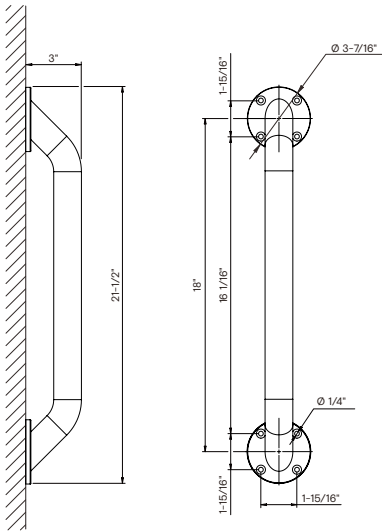
Finishes	CS(Brushed Stainless) CP(Brushed Copper) BK(Brushed Black) BR(Brushed Brass)
Weight	TSL.GR.45.18 - 2.9lb 45.7oz TSL.GR.45.24 - 3.3lb 52.8oz TSL.GR.45.36 - 4.2lb 66.8oz TSL.GR.45.42 - 4.8lb 77.6oz
Stainless steel grade	AISI 304 stainless steel
Warranty	2 years from date of purchase

before you install

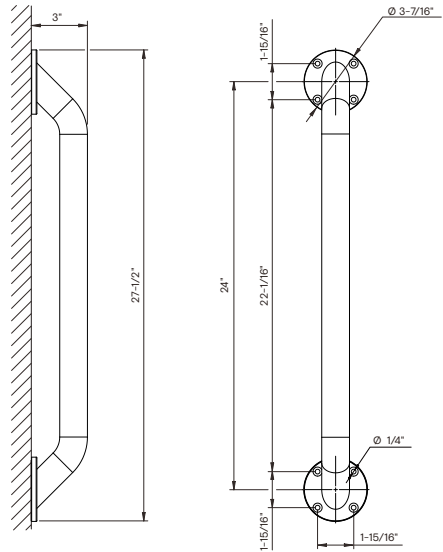
Location

The rail is to be installed in accordance with the current ADA regulations in force. The rail must be mounted with fixings appropriate to the wall construction.

TSL.GR.45.18

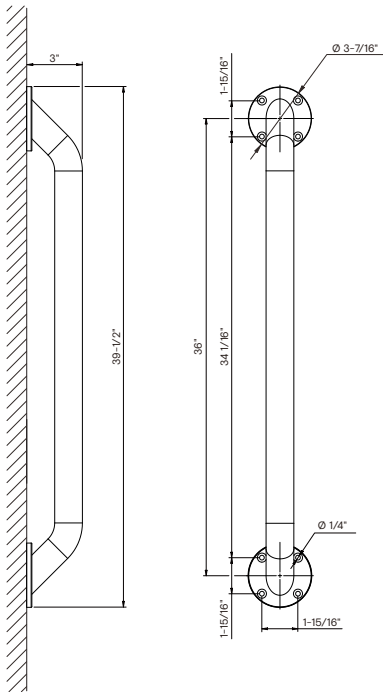


TSL.GR.45.24

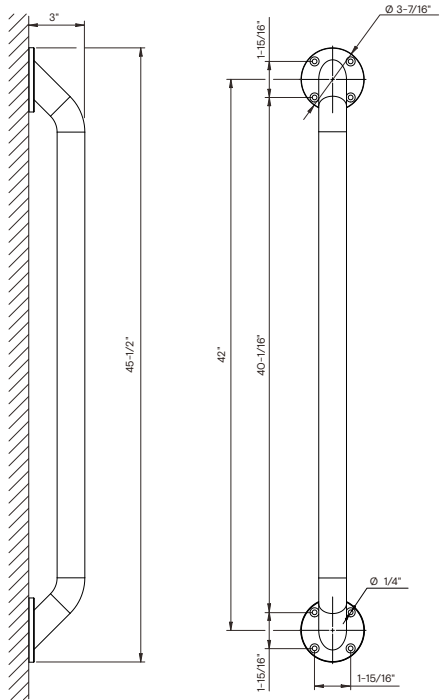


before you install

TSL.GR.45.36



TSL.GR.45.42

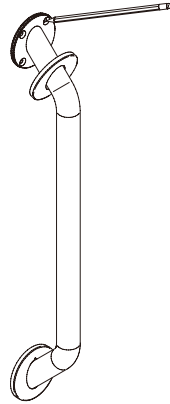


how to install



1

Prise the cover plates off that conceals the fixing holes.



2

Position the rail on the wall at the desired location and mark the fixing holes.



3

Using appropriate fixings (not supplied), fasten the rail to the wall and tighten securely.



4

Refix the cover plates.

cleaning

All grades of stainless steel will stain or discolor if due care and attention is not taken. The surface must be regularly cleaned to ensure a long service life of the bar. Use a soft cloth or sponge with a mild solution of soapy water as part of the regular washroom janitorial routine. Do not use abrasive or cream cleaners as these will damage the surface finish.

If the rail is subjected to a highly-chlorinated environment eg swimming pools or marine coastal locations, a further treatment, in addition to the regular cleaning as described above, is recommended by the application of a household cleaning product containing silicone.

Contact The Splash Lab technical team for more detailed stainless steel care guidelines.

maintenance

The fixings securing the rail should be periodically inspected to ensure the rail is firmly attached to the wall.

operation

The user is to grasp the rail firmly to provide sufficient support to enable them to change their position.

warranty

We believe the future is personal. With a global mindset, we challenge conventional restroom norms via product innovation to create considered restroom solutions for corporate and educational spaces. We use rich raw materials, cutting-edge automation and considered restroom design to powerfully and positively influence the lives of people. We are The Splash Lab.

Demonstrating our commitment to quality and our belief in the strength of our designs, we can offer the following warranties.

The Splash Lab will warrant that its products will be free of manufacturing and material defects during normal use and environmental conditions as detailed below:

Straight Grab Rail 2 years

If a defect is found in normal use, The Splash Lab will, at their discretion, repair, provide a replacement part or product, or make appropriate adjustments. Damage caused by accident, misuse, or abuse is not covered by this warranty. Improper care and cleaning will void the warranty.

Non-operation of the product due to environmental conditions beyond our control, installation error, incorrect maintenance, water quality, fair wear and tear, incorrect or inappropriate installation, misuse and abuse is not covered by the warranty.

Proof of purchase (original sales receipt) must be provided to The Splash Lab with all warranty claims.

The above warranty is valid for goods supplied within North America.

For goods supplied outside of North America, The Splash Lab will honor the above stated warranty periods for the parts only.

THE SPLASH LAB DISCLAIM ANY LIABILITY FOR SPECIAL, INCIDENTAL OR CONSEQUENTIAL DAMAGES.

contact



TSL.GR.45.18 / TSL.GR.45.24 / TSL.GR.45.36 / TSL.GR.45.42 • (US) • REV 4-09/02/21

General information

310 410 5008

Showroom:

8745 Washington Boulevard, Studio D, Culver City CA 90232

Warehouse + Offices:

20809 Higgins Court, Torrance CA 90501

Technical support

info@thesplashlabusa.com

For further contact information visit:

www.thesplashlabusa.com

