

TSL.C.060

channel hand dryer

installation + maintenance

+

THE
SPLASH
LAB

contents

3	Safety and Warnings
4	Box Contents
5	Technical Data
6	Before You Install
8	How to Install
15	Commissioning
16	Resetting the Sensor
17	Operation
17	Maintenance
18	Cleaning
19	Troubleshooting
21	Diagram
22	Spare Parts / Accessories
23	Warranty
Back Cover	Contact Details

TSL.C.060 channel hand dryer

Read and save these instructions

WARNING

To reduce the risk of fire, electric shock or injury to persons, observe the following:

- + Use this unit only in the manner intended by the manufacturer. If you have any questions, contact the manufacturer (see back page for details).
- + This equipment should be installed in a way that ensures all electrical parts are kept dry.
- + A means of electrical isolation must be incorporated in the fixed wiring, in accordance with the current local regulations in force.
- + Disconnect the power supply before performing any maintenance on the product.
- + Children should not play with this equipment. Cleaning and maintenance shall not be performed by children without supervision.
- + This equipment is designed to be used in commercial and public areas; it is not intended for domestic or residential use.
- + Ensure wiring and cover is installed correctly before connecting to live power supply.
- + If in doubt, consult an electrician.
- + This product is not intended for use in a domestic or residential application.
- + The dryer must be installed in accordance with the electrical installation regulations in force at the time of installation.
- + The hand dryer must be grounded.

General information

(310) 410-5008

Showroom:

8745 Washington Boulevard, Studio D, Culver City CA 90232

Warehouse + Offices:

20809 Higgins Court, Torrance CA 90501

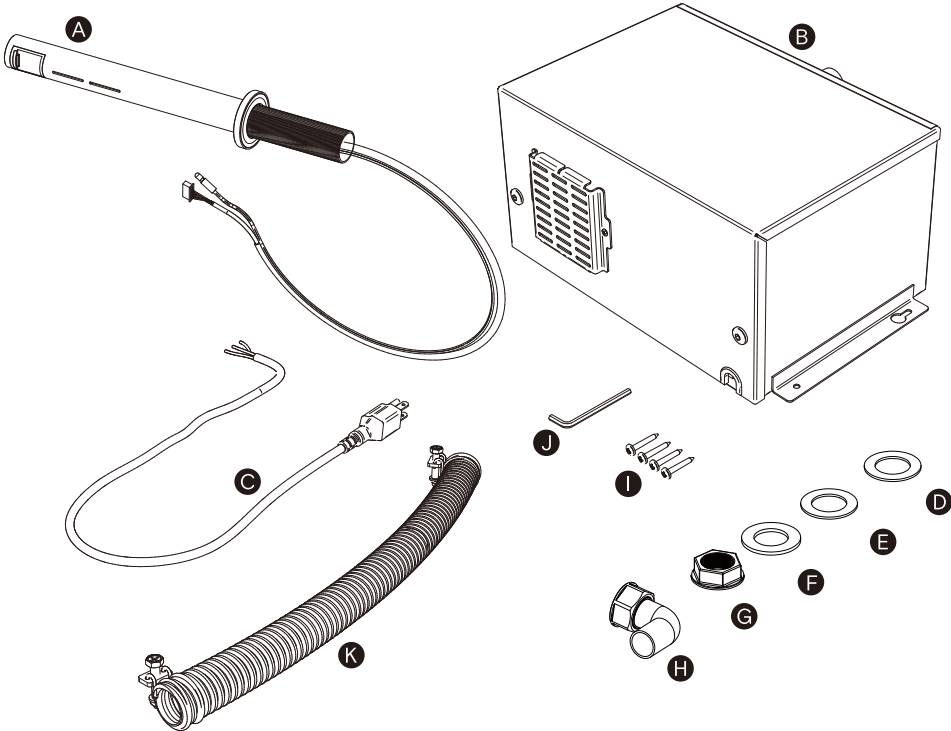
Technical support

info.usa@thesplashlab.com

For further contact information visit:

www.thesplashlab.com/usa

box contents



- A Dryer head assembly

- B Hand dryer motor unit

- C Power cable

- D Pad

- E Gasket

- F Washer

- G Fixing nut

- H Angled pipe

- I Motor mounting screws

- J Hex wrench

- K Air hose

technical data

Finishes	TSL.C.060.C	Bright Polished
	TSL.C.060.CS	Brushed Stainless
	TSL.C.060.CP	Brushed Copper
	TSL.C.060.BK	Brushed Black
	TSL.C.060.BR	Brushed Brass
<hr/>		
Voltage	110-120V ac; 60Hz	
Current	7.6-8.4A	
Power consumption	0.84-1.0kW	
Standby power	0.3-0.4kW	
Drying time	<15 seconds	
Weight	17lb	
Material	AISI 316 stainless steel	
Noise levels	68.6dB	
Heating element	500W	
Motor type	Brush type; dual ball bearings;	
Motor power	500-350W	
Air speed	364 ft/s	
Air flow	27.6 cu ft/min	
Sensor range	4-3/4"±13/16"	
Security cut-off time	60 seconds	
Motor thermal protection	Auto resetting thermostat set at 203°F	
Heater thermal protection	Auto resetting thermostat set at 185°F Thermal cutout fuse set to 288°F	
Insulation	Class 1	
IP rating	IP35	
Approvals	CE, UL, cUL, RoHS, ADA	
Warranty	One year limited warranty	
Filter	3M filter assembly (HEPA filter is available for this product, please enquire for technical information)	

before you install

Location

Channel hand dryers are supplied with 48" of flexible hose, so the dryer motor unit must be fitted within 48" of the head unit, to ensure that the motor air-outlet head can be connected.

Basins

The Splash Lab Monolith (Series C or D) basin is recommended for use with the Channel range of products. If an alternative basin is used, please confirm with The Splash Lab that there will be no reflection or splash issue.

Backplate

The Splash Lab offers an optional backplate for the fixtures that means the fixtures can be mounted from the front and have simpler access.

Power supply

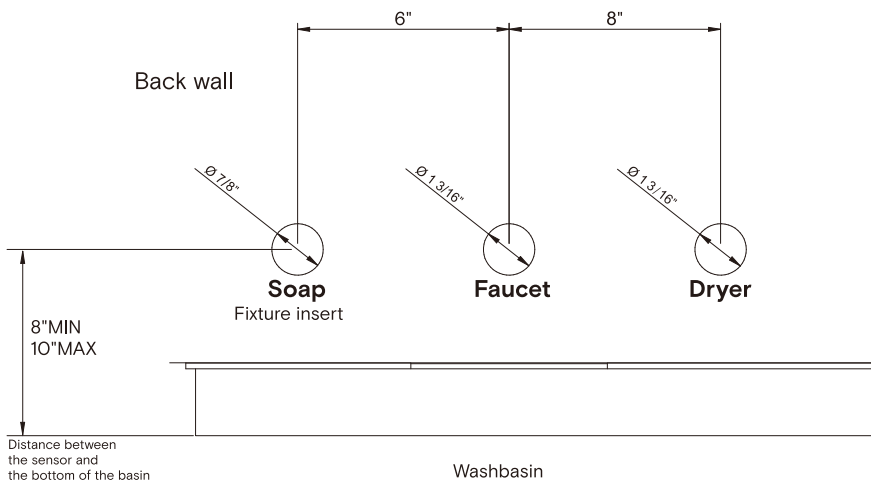
A 15A fused supply must be provided for connection to the mains power supply.

Disclaimer: Circuits should only use 80% of their given amperage to prevent overloads. The standard US 120V 15 Amp circuit should only use up to 12 of its 15 amps.

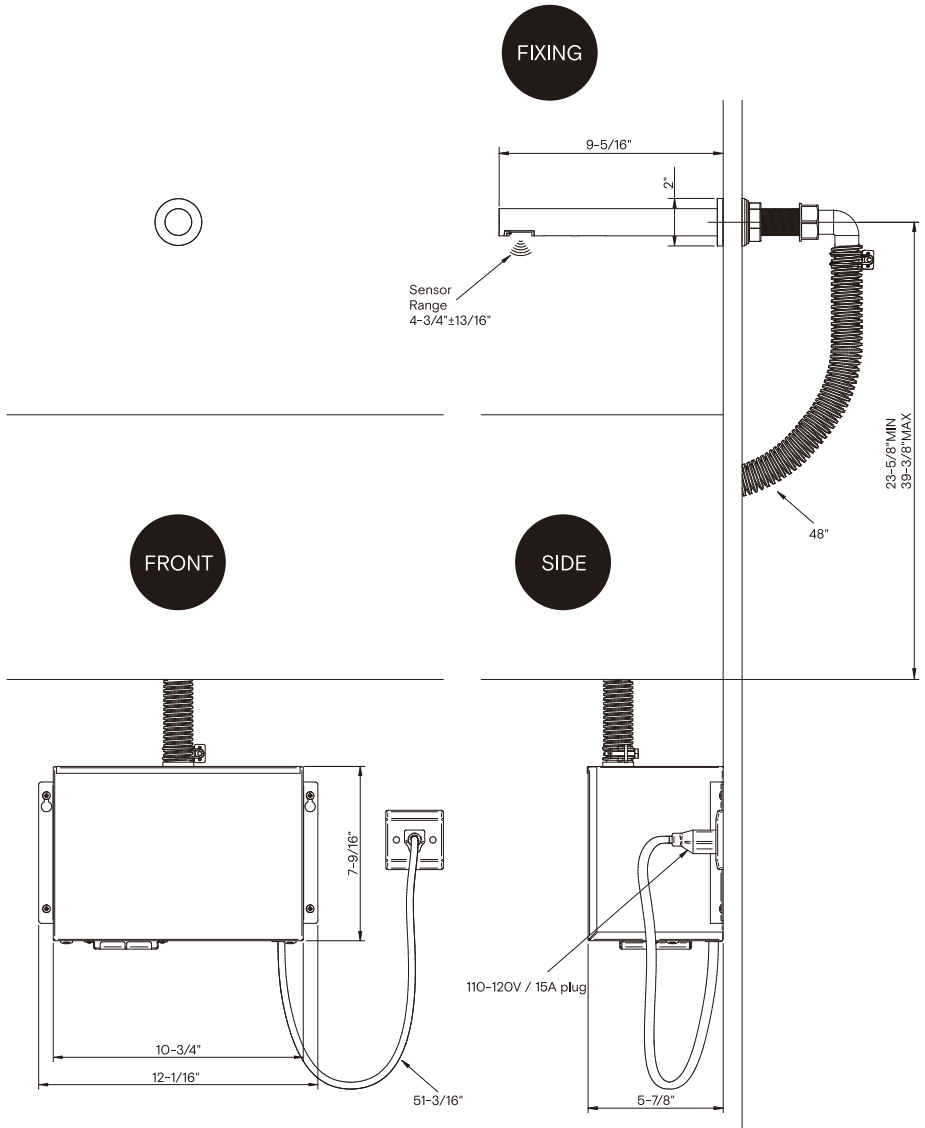
Spacing

If the Channel Hand Dryer is installed with other units from the Channel range, the Channel Faucet, which is at the center, should be 8" to the left of the Hand Dryer. The Channel Soap Dispenser should be 6" to the left of the Faucet.

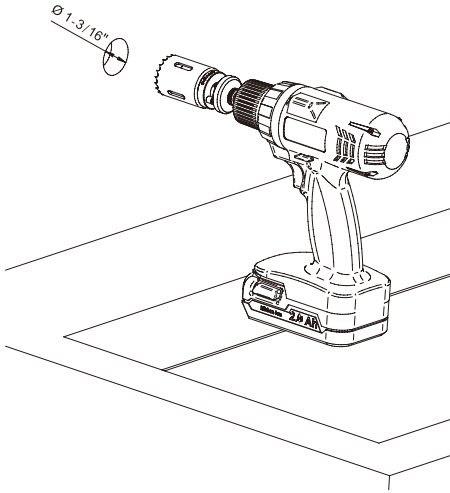
Front view



before you install

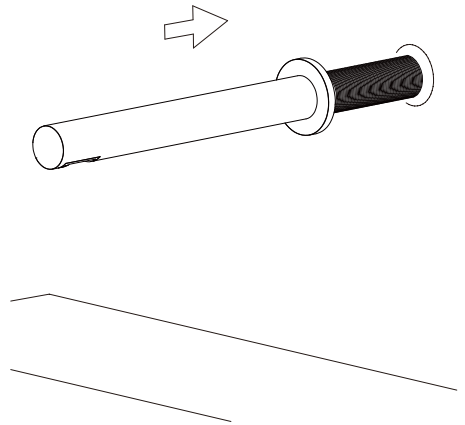


how to install



1

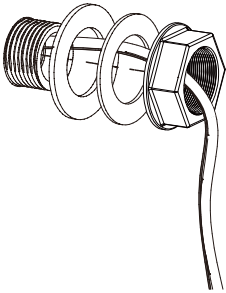
Drill hole 1-3/16" diameter in wall 8-10" above the bottom of the basin.



2

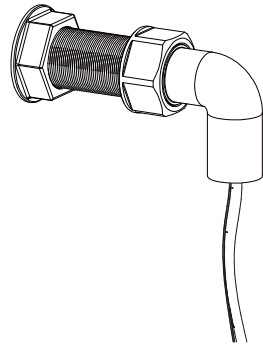
Fit dryer body into the 1-3/16" hole in wall.

Back side of installation wall



3

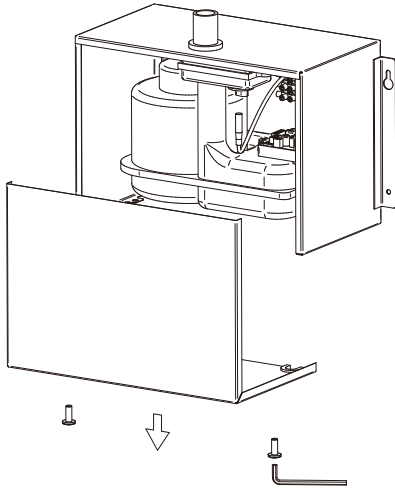
Thread the sensor and ground cables through the gasket, washer and fixing nut, and tighten the nut against the installation wall.



4

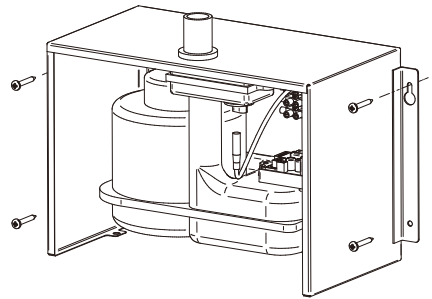
When step 3 is finished, run the sensor wire and ground wire through angled pipe and fix it to the fixing nut.

how to install



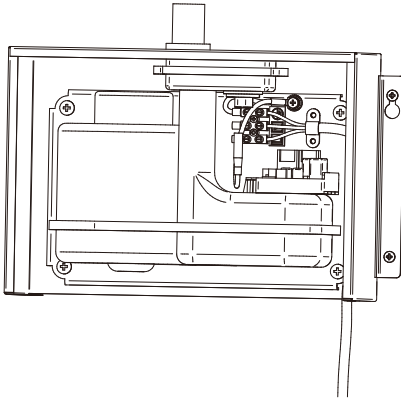
5

Remove cover-fixing screws from underside of dryer motor using the security hex key provided, and then remove the cover.



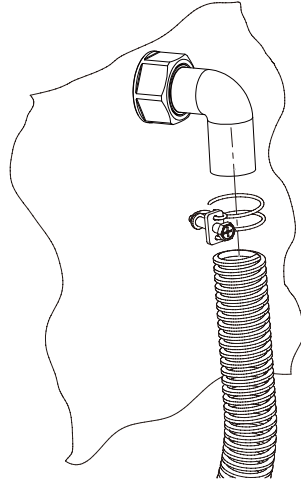
6

Fit the dryer motor unit to wall or cabinet, within 48" of the dryer nozzle already installed in the wall.



7

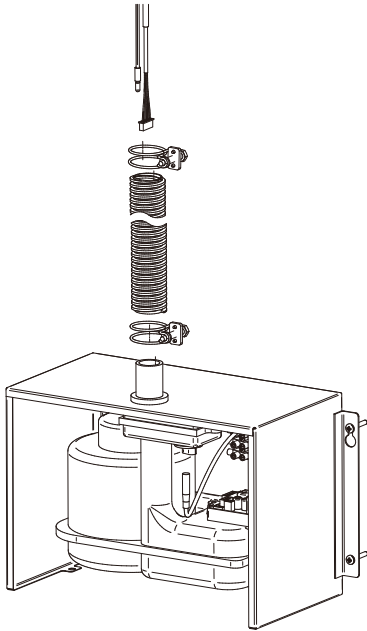
Thread the power cable through the knockout in the back or base of the dryer and feed to connector block. Connect the cables as marked on the dryer unit. (Cable supplied pre-fitted)



8

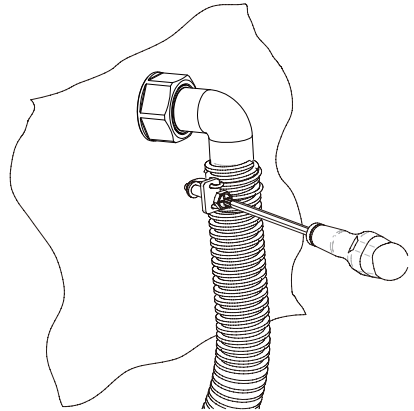
Feed sensor cable through angled pipe connector and fit flexible hose.

how to install



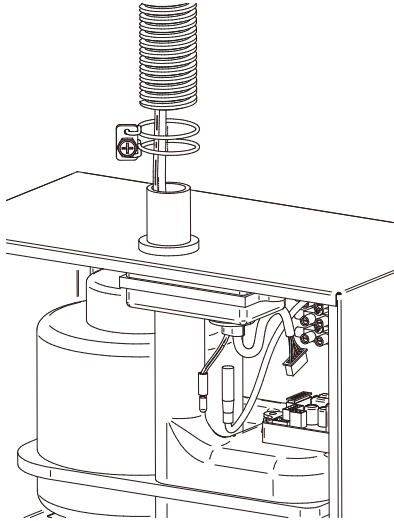
9

Thread the sensor and ground cables through the air-hose.



10

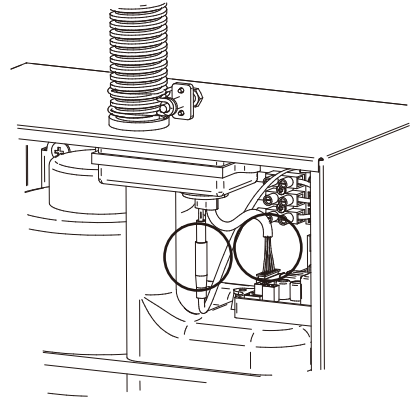
Fasten pipe clip and tighten with screwdriver.



11

Feed cables into air outlet nozzle and then through cable exit grommet.

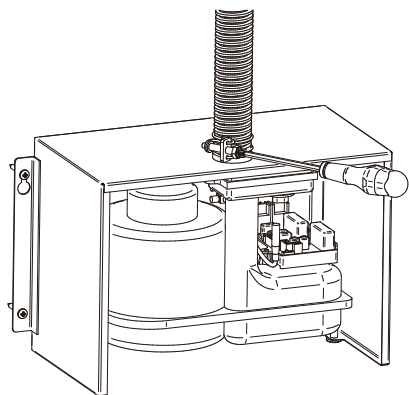
Note: grommet is split to allow cable installation.



12

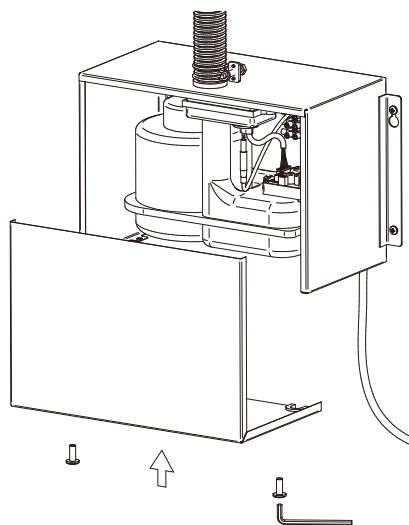
Connect the sensor cable to the 6-pin fitting on the PCB control, and the ground cable to the corresponding earth connector in the dryer motor unit.

how to install



13

Connect air hose onto outlet nozzle on dryer motor and tighten hose clamp.



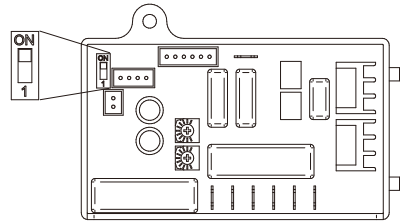
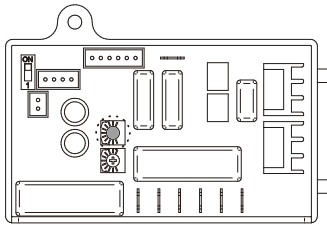
14

Re-fit the dryer cover and tighten the fixing screws.

commissioning

Turn on the power supply to the dryer, and then test that the dryer will operate when the user's hands are placed within the detection range.

The motor speed can be adjusted to suit user preference and the environment, if required. The heater element can also be switched off if desired.



Warm air speed adjustment

1. Switch off the power, loosen the cover screws and remove the cover.
2. Use small Phillips head screwdriver to turn variable resistor shaft. Turn clockwise ↻ to increase the motor speed; turn counter-clockwise ↻ to reduce the motor speed.

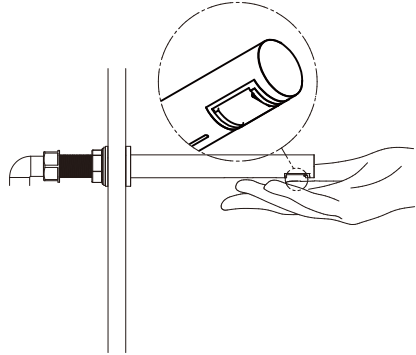
Heater Element Switch ON/OFF

1. Switch off the power, loosen the cover screws and remove the cover.
2. Adjust the heater switch on the PCB with a small plastic or wood flat blade probe.
 - 2-1 Slide the switch to 'ON':
Enables heater
 - 2-2 Slide the switch to '1':
Disables heater

resetting the sensor

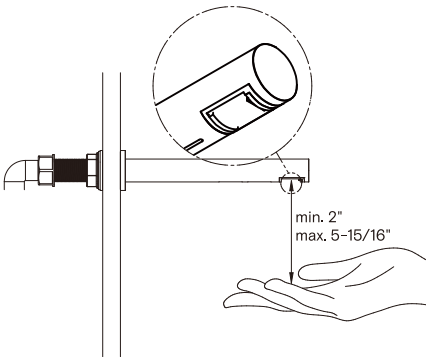
1

First disconnect the Ribbon Tap head from the Power unit. Wait a minimum of 4 seconds and reconnect the power.



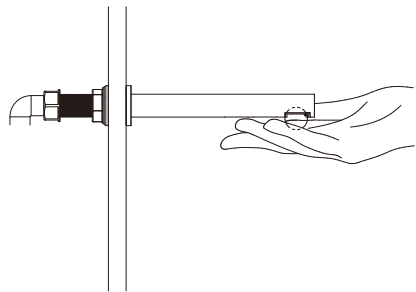
2

After connecting to power, immediately place your hand at about 5mm below the sensor on the tap head and keep it there for 3 seconds.



3

At the end of the 3 seconds, move your hand away from the sensor and down towards the wash basin to set the desired sensor range (min. 2" / max. 5-15/16") and keep your hand at the desired position for 3 seconds.



4

At the end of 3 seconds, move your hand back to the original 5mm position from the sensor and keep at the position for 3 seconds to complete setting up the desired sensor range.

*Remove reflective clothing during installation.

operation

- + The user is to shake excess water off their hands.
- + The user then places their hands within the detection range of the sensor to activate the hand dryer.
- + The motor will start and air is blown onto the user's hands.
- + The motor will stop when the user's hands are removed from the detection range.

maintenance

- + The hand dryer should be serviced on a regular basis to ensure long service life of the unit.
- + Isolate the unit from the power supply before any servicing or maintenance work is carried out.
- + Remove the cover by unscrewing the fixing screws on the underside of the cover.
- + Remove any dust or foreign body from the air intake and (both inside and outside the dryer). Where necessary, use a brush or vacuum cleaner.

cleaning

- + All grades of stainless steel will stain or discolor if due care and attention is not taken. The surface must be regularly cleaned to ensure a long service life of the hand dryer.
- + Use a soft cloth or sponge with a mild solution of soapy water as part of the regular washroom janitorial routine. Do not use abrasive or cream cleaners as these will damage the surface finish.
- + If the hand dryer is subjected to a highly chlorinated environment e.g. swimming pools or marine coastal locations, a further treatment, in addition to the regular cleaning as described above, is recommended to use a household cleaning product containing silicone.
- + If further information is required, contact The Splash Lab Team for more detailed stainless steel care guidelines.

troubleshooting

initial installation

If the dryer will not run:

- + First ensure that the breaker supplying the dryer is operational. If it is, disconnect the power and remove the dryer cover. Taking suitable precautions to avoid shock hazard, reconnect the power and check for voltage at the terminal block. Verify that connections are made correctly.
-

The dryer cycles by itself or runs constantly:

- + Ensure that there is no obstruction on or in front of the IR sensor. Clean any dirt or debris off the sensor lens. If problem persists, replace sensor.
-

The dryer makes a loud noise and does not run for a complete cycle:

- + Ensure that the supply voltage is correct. Dryer will make a loud humming noise if the input voltage is too high. Verify voltage requirement on unit rating label and correct supply as required. (If circuit board module has been damaged, replace it and the infra-red sensor module.)
-

The dryer runs but air stream is low pressure and/or low velocity:

- + Ensure that the supply voltage is correct. Dryer will run weakly if the input voltage is too low. Verify voltage requirement on unit rating label and correct supply as required.
-

We are always looking to improve. If these steps did not solve your problem please contact us and we will endeavor to help.

Tel: (310) 410-5008

Email: info.usa@thesplashlab.com

troubleshooting

in-service failure

If the dryer will not run:

- + First ensure that the breaker supplying the dryer is operational. If it is, disconnect the power and remove the dryer cover. Replace the CBM and IR sensor module. Taking suitable precautions to avoid shock hazard, reconnect the power and check for Voltage at the terminal block.
-

The dryer cycles by itself or runs constantly:

- + Ensure that there is no obstruction on or in front of the IR sensor. Clean any dirt or debris off the sensor lens. Check sensor range setting (see pages 16). If problem persists, disconnect the power and remove the dryer cover and replace CBM, IR sensor module.
-

The heater gets hot but no air stream is produced:

- + Disconnect the power. Remove the dryer cover. Check variable resistor for speed setting. Disassemble the blower- motor/ fan housing. Replace the fan motor. Reassemble.
-

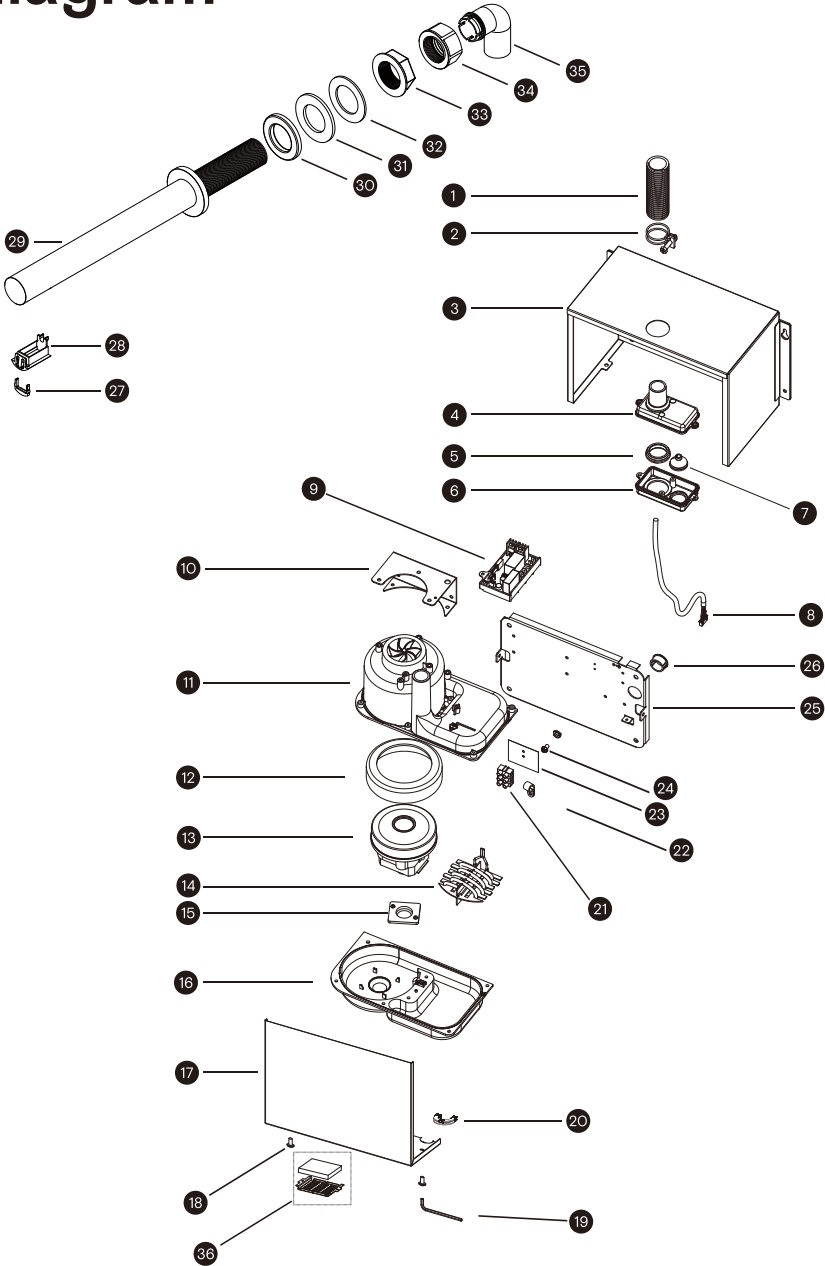
The dryer only blows cold air during a full cycle:

- + Disconnect the power. Remove the dryer cover and check/ ensure heater switch is ON. Disassemble the blower- motor/ fan housing. Test the thermostat for open circuit. Check the heater element for signs of burning or breakage. Damaged element must be replaced.
-

The air stream is low pressure and velocity:

- + Check the output nozzle for obstructions, If none are present, disconnect the power. Remove the dryer cover. Remove any dust/lint buildup from intake vent slots. Check VR for speed setting. Disassemble the blower / motor / fan housing. Check motor brushes for wear; if less than 1/4" is remaining. Replace motor.
-

diagram



spare parts & accessories

Spare parts

1	Flexible air hose	21	Terminal block
2	Stainless steel hose clamp	22	Mains cable clamp
3	Stainless steel motor case	23	Terminal block insulation plate - Mylar
4	Connector - top cap	24	Earth screw
5	Connector - packing	25	Motor base plate
6	Connector - bottom cap	26	Motor back plate cable entry grommet
7	Cable exit grommet	27	Air outlet faceplate bracket
8	Sensor & cable assembly	28	Air outlet faceplate
9	Circuit board module (PCB)	29	Air outlet body
10	Blower mounting bracket	30	Pad
11	Blower motor housing - lower section	31	Sealing gasket
12	Motor mounting rubber - Lower	32	Washer
13	Motor	33	Mounting nut
14	Heater element	34	Angled pipe nut
15	Motor mounting rubber - Upper	35	Angled pipe
16	Blower motor housing - Upper	36	3M filter assembly
17	Stainless steel front cover plate		
18	Motor cover fixing screws (2 required)		
19	Hex wrench		
20	Motor case cable entry grommet		

If further information is required, contact The Splash Lab team for more detailed guidelines.

warranty

The Channel Hand Dryer will be warranted by The Splash Lab to be free of manufacturing and material defects during normal use and environmental conditions as detailed below:

One year limited warranty

- + If a defect is found in normal use, The Splash Lab will, at their discretion, repair, provide a replacement part or product, or make appropriate adjustments. Damage caused by accident, misuse, or abuse is not covered by this warranty. Improper care and cleaning will void the warranty.
- + Non-operation of the product due to environmental conditions beyond our control, installation error, incorrect maintenance, water quality, fair wear and tear, incorrect or inappropriate installation, misuse and abuse is not covered by the warranty.
- + Proof of purchase (original sales receipt) must be provided to The Splash Lab with all warranty claims.
- + The above warranty is valid for goods supplied within North America.
- + For goods supplied outside of North America, The Splash Lab will honor the above stated warranty periods for the parts only.
- + THE SPLASH LAB DISCLAIM ANY LIABILITY FOR SPECIAL, INCIDENTAL OR CONSEQUENTIAL DAMAGES.

contact



General information

(310) 410-5008

Showroom:

8745 Washington Boulevard, Studio D, Culver City CA 90232

Warehouse + Offices:

20809 Higgins Court, Torrance CA 90501

Technical support

info.usa@thesplashlab.com

For further contact information visit:

www.thesplashlab.com/usa

