

TOILET PAPER HOLDER

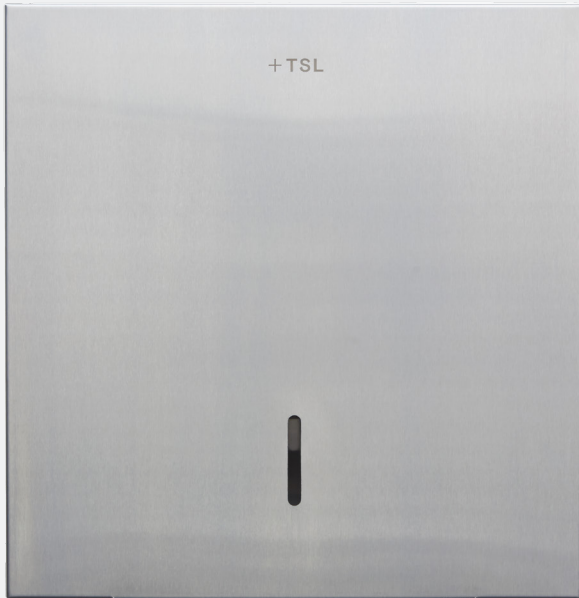
TSL.842

A wall-mounted toilet paper holder made from AISI 304 type stainless steel in a brushed satin finish. Housing hinges open at flush lock for easy refilling.

Finish	Codes	LRV*
● Brushed Black	TSL.842.BK	51
● Brushed Brass	TSL.842.BR	58
● Brushed Stainless	TSL.842.CS	51
● Brushed Copper	TSL.842.CP	58

Light Reflectance Value*

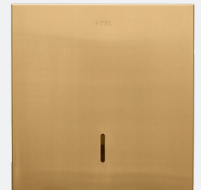
+ Brushed Stainless



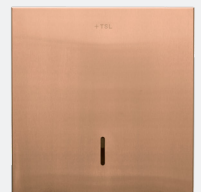
+ Black



+ Brass



+ Copper



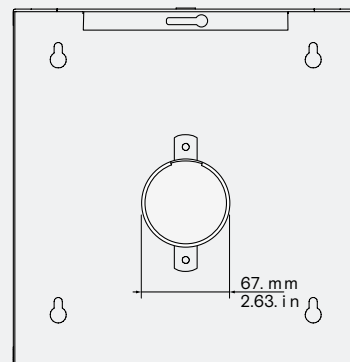
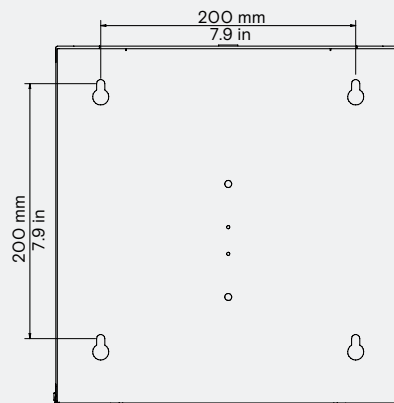
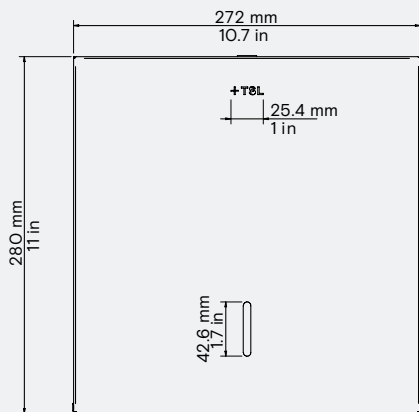
Included

Toilet paper holder

Fixing screws x4

Drywall anchors x4

Key**Not included**

Toilet paper**+ Technical drawing****Technical Data**

Weight 4.2 lb

Stainless steel grade 304AISI**Related documents**

Installation and maintenance manual

Warranty document

To obtain these documents please email

info.usa@thesplashlab.com

Installation requirements

Substrate Must be fixed to a hard surface. Drywall anchors included**Spare parts**

There are no user serviceable parts.**Warrenty**

1 years from date of purchase