

Double Toilet Roll Holder

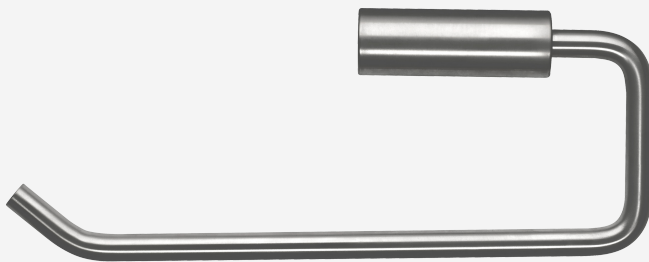
TSL.46

The TSL.45 is a single toilet roll holder with a concealed fixing, constructed from stainless steel.

Finish	Codes	LRV*
● Black	TSL.46.BK	3
● Brass	TSL.46.BK	40
● Satin	TSL.46.CS	58
● Copper	TSL.46.CP	19

Light Reflectance Value*

+ Satin



+ Black



+ Brass



+ Copper



Included

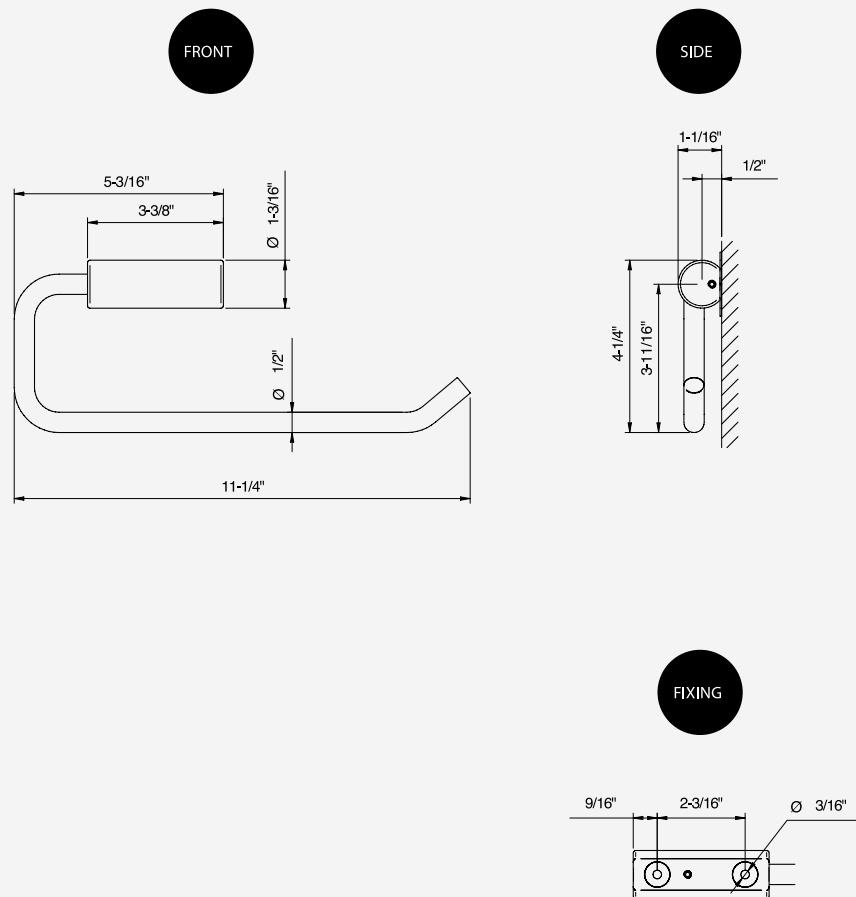
Double toilet roll holder assembly

Wall mounting bushes

Fixing template

Allen key

+ Technical drawing



Technical Data

Weight	1lb 14oz
Stainless steel grade	AISI 304
Capacity	2 rolls (Max size - 51/8" dia x 4 5/16" width x 13/8" dia core)

Related documents

Installation and maintenance manual

Warranty document

To obtain these documents please email

info.usa@thesplashlab.com

Installation requirements

Substrate	Must be fixed to a hard surface. Drywall is not suitable.
-----------	---

Spare parts

There are no user serviceable parts.

Warranty

2 years from date of purchase