

Concealed Shower

TSL.SHW.011

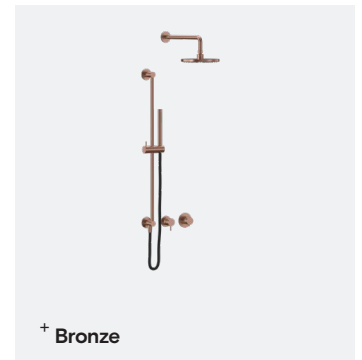
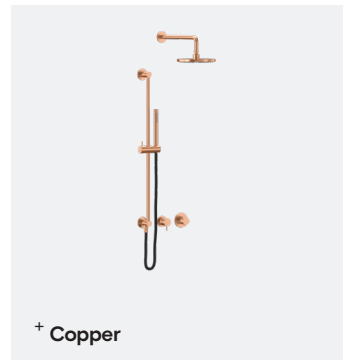
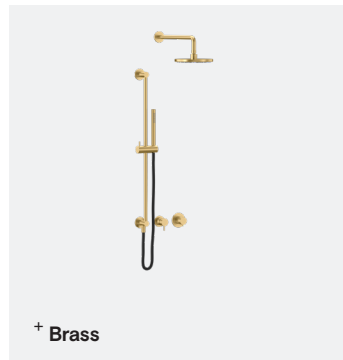
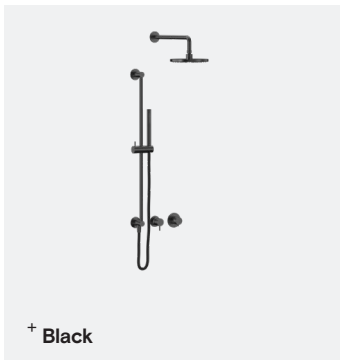
A minimalist stainless steel shower assembly with a two-way diverter for overhead, handheld flow and adjustable rail.

Components are concealed behind the finished wall and offered in four PVD colours as well brushed satin.

- Doc M Compliant

Finish	Codes	LRV*
● Black	TSLSHW.011.BK	3
● Brass	TSLSHW.011.BR	40
● Satin	TSLSHW.011.CS	58
● Bronze	TSLSHW.011.BZ	17
● Copper	TSLSHW.011.CP	19

Light Reflectance Value*



Technical Data - Shower Head

Body Material	AISI 304 Stainless Steel
Coating Type	PVD (colours only)
Minimum Pressure	1 Bar
Maximum Pressure	10 Bar
Recommended Working Pressure	2 - 5 Bar
Maximum Water Temperature	70°C / 176°F
Maximum Recommended Water Temperature	65°C / 149°F
Flow Rates	12 L/min - 3 Bar 6 L/min - 3 Bar

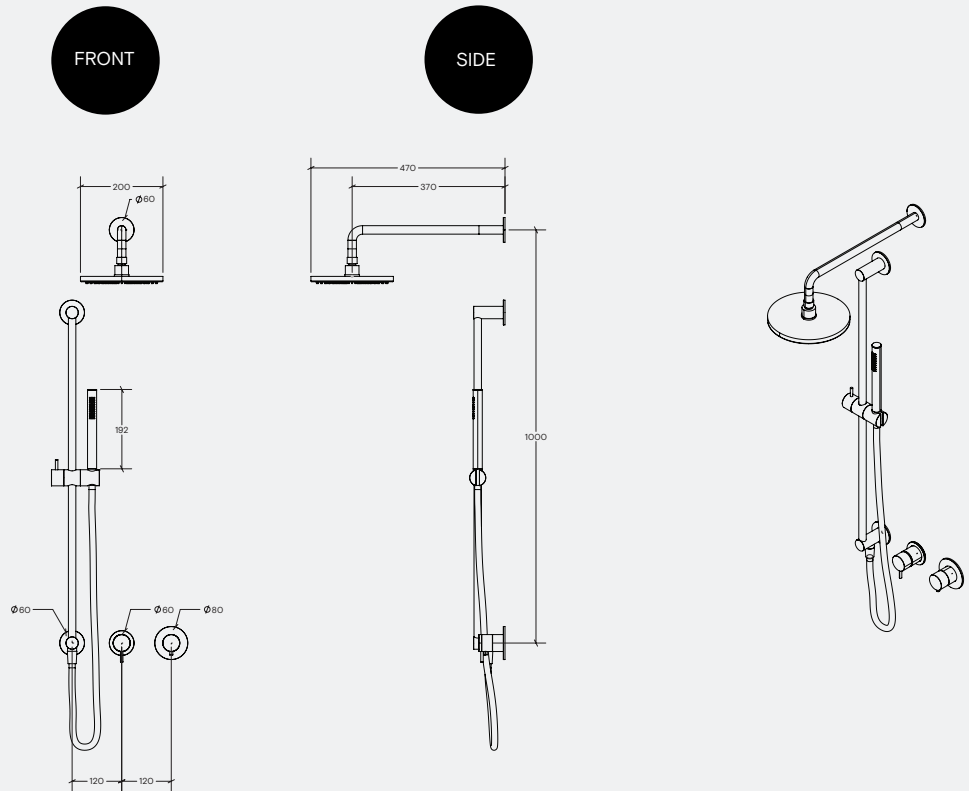
Technical Data - Handset

Body Material	AISI 304 Stainless Steel
Coating Type	PVD (colours only)
Minimum Pressure	1 Bar
Maximum Pressure	10 Bar
Recommended Working Pressure	2 - 5 Bar
Maximum Water Temperature	70°C / 176°F
Maximum Recommended Water Temperature	65°C / 149°F
Flow Rates	12 L/min - 3 Bar 6 L/min - 3 Bar

Key Components / Spare Parts

Exposed Shower
TSL.SHW.011

+ Technical drawing



Warranty & Spare parts

For warranty terms and conditions please visit www.thesplashlab.com

If additional spare parts are required and are not listed above, please contact us at info.uk@thesplashlab.com

Related products



Capacitive Sensor Tap
The Radius



150mm IR Sensor Tap
TSL.884



The Channel Sensor Tap
TSL.C.051



Concealed Shower
TSL.SHW.001