

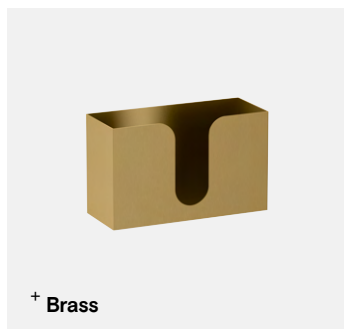
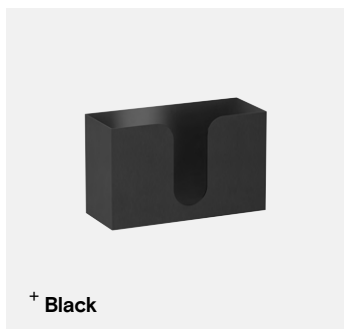
# Deck Mounted Paper Towel Dispenser

TSL.745

The TSL.745 is a sleek and versatile paper towel dispenser. Made from high-quality stainless steel, it features a brushed satin finish or a range of durable PVD-coated options. The unit can be seamlessly mounted on a basin deck or wall for flexible installation.

Finish	Codes	LRV*
● Satin	TSL.745.CS	58
● Black	TSL.745.BK	3
● Brass	TSL.745.BR	40
● Copper	TSL.745.CP	19
● Bronze	TSL.745.BZ	17

Light Reflectance Value\*



## Key Components/Spare Parts

Deck Paper Towel Dispenser  
TSL.745

## Technical Data

Stainless Steel AISI 304

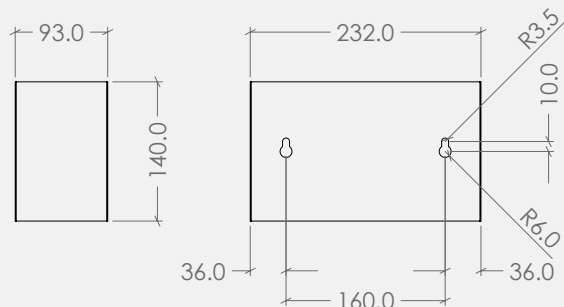
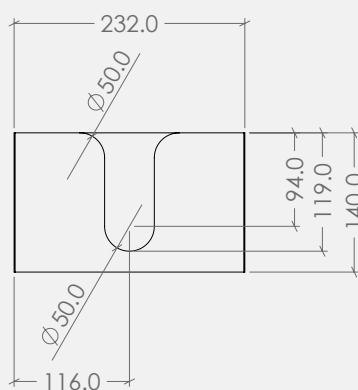
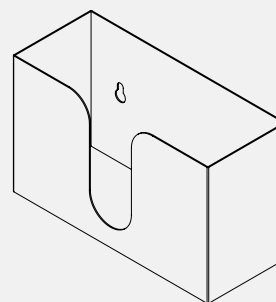
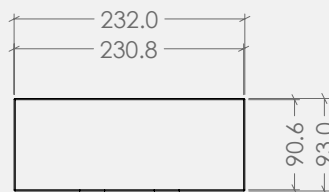
Capacity 162 Sheets

Recommended C-Fold  
Fold Size 230 x 90mm

## Installation Requirements

Substrate - If wall mounted, must be fixed to a hard surface.

## + Technical drawing



## Warranty & Spare parts

For warranty terms and conditions please visit [www.thesplashlab.com](http://www.thesplashlab.com)

If additional spare parts are required and are not listed above, please contact us at [info.uk@thesplashlab.com](mailto:info.uk@thesplashlab.com)

## Related products



Wall-Mounted Paper Towel  
Dispenser  
TSL.735



Combination Unit / 5L  
TSL.CM5



Combination Unit / 10L  
TSL.CM6