

## L795

## Toilet Tissue Dispenser

The L-795 is a single sheet toilet tissue dispenser with a 1000 sheet capacity, which is lockable with a viewing window



### Codes

---

L-795

### Technical Data

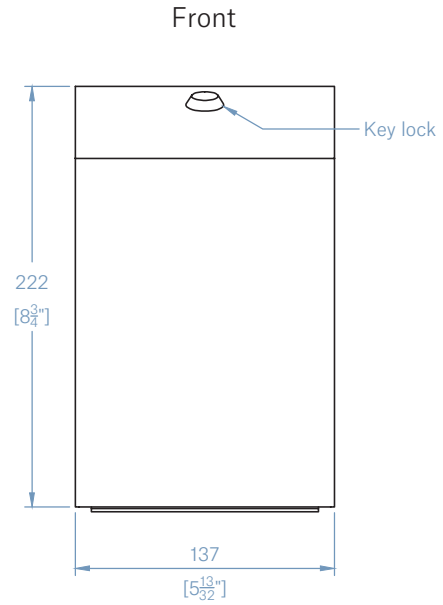
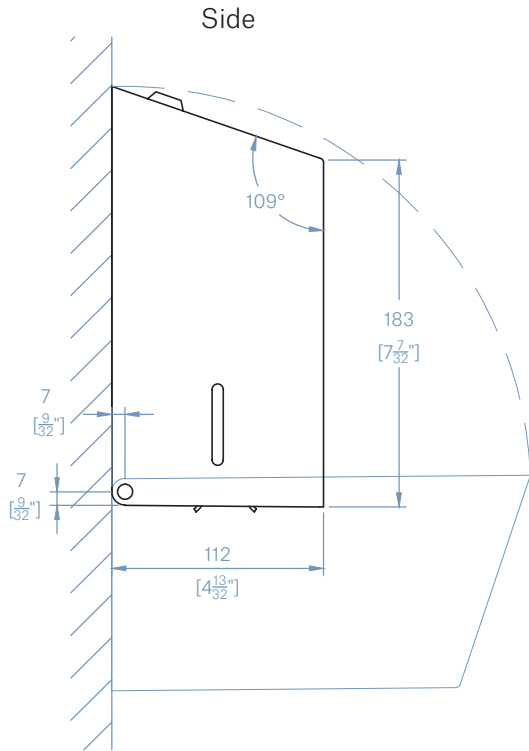
---

Finishes	C (Chrome) / CS (Satin) / W ( White)
Warranty	2 years from date of purchase
Capacity	1000 sheet
Weight	0.9Kg (1lb 15oz)
Stainless steel grade	304

### Related Document

---

Installation manual	email: <a href="mailto:info.uk@thesplashlab.com">info.uk@thesplashlab.com</a>
Operation and maintenance manual	email: <a href="mailto:info.uk@thesplashlab.com">info.uk@thesplashlab.com</a>
Warranty document	email: <a href="mailto:info.uk@thesplashlab.com">info.uk@thesplashlab.com</a>



Fixing positions

