

LR90

Behind the  
Mirror

The LR90 is a behind the mirror lever operated soap dispenser with a slidable refill mechanism, and has a 400ml (0.11 GAL (US)) capacity.



## CODES

---

LR90

## TECHNICAL DATA

---

Finishes	CS (Satin)
Warranty	2 years from date of purchase Weight 2.26Kg (4lb 15oz)
Stainless steel grade	304
Capacity	400ml (0.11 GAL (US)) capacity

## SPARE PARTS

---

There are no user serviceable parts.

## RELATED PRODUCTS

---

Behind the mirror paper towel dispensers (angled base)	L-R88
Behind the mirror paper towel dispensers (flat base)	L-R99

## RELATED DOCUMENTS

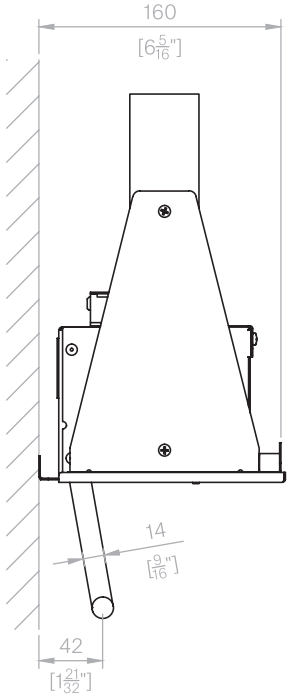
---

Installation and maintenance manual	email: <a href="mailto:info.uk@thesplashlab.com">info.uk@thesplashlab.com</a>
Warranty document	email: <a href="mailto:info.uk@thesplashlab.com">info.uk@thesplashlab.com</a>

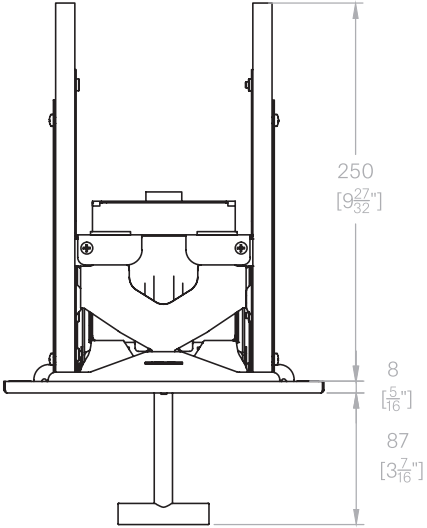
# TSL + HERITAGE

TECHNICAL DRAWING

SIDE



FRONT



FIXING

