

Wall Mounted Manual Tap

TSL.970

The TSL.970 is a wall-mounted manual tap that features a sleek spout, with an accompanying lever operated mixer, available in a range of finishes.

Finish	Codes	LRV*
● Satin	TSL.970.CS	58
● Black	TSL.970.BK	3
● Brass	TSL.970.BR	40
● Copper	TSL.970.CP	19
● Bronze	TSL.970.BZ	17

Light Reflectance Value*

+ Satin



+ Black



+ Brass



+ Copper



+ Bronze



Technical Data

Body Material	AISI 304 Stainless Steel
Coating Type	PVD (colours only)
Aerator	Cascade
Water Pressure (Dynamic)	0.5 to 7.5 Bar [0.05 to 0.75MPa]
Water Temperature (max)	60°C
Flow Rates	3.8 litres/minute - Cascade flow 1.9 litres / minute - Spray flow
Also available	1.35 litres / minute - Spray flo

Spare Parts

150mm Spout

Custom spout lengths available upon MOQ request, please contact us at info.uk@thesplashlab.com

Installation requirements

Water supply	1.0 Bar is the recommended minimum pressure for the taps to operate effectively. 7.5 Bar is the maximum pressure for commissioning and is NOT recommended for general use Gravity-fed systems may require a booster pump to achieve the optimal operating pressure All pipework must be thoroughly cleaned and clear of any debris before connecting the tap
--------------	---

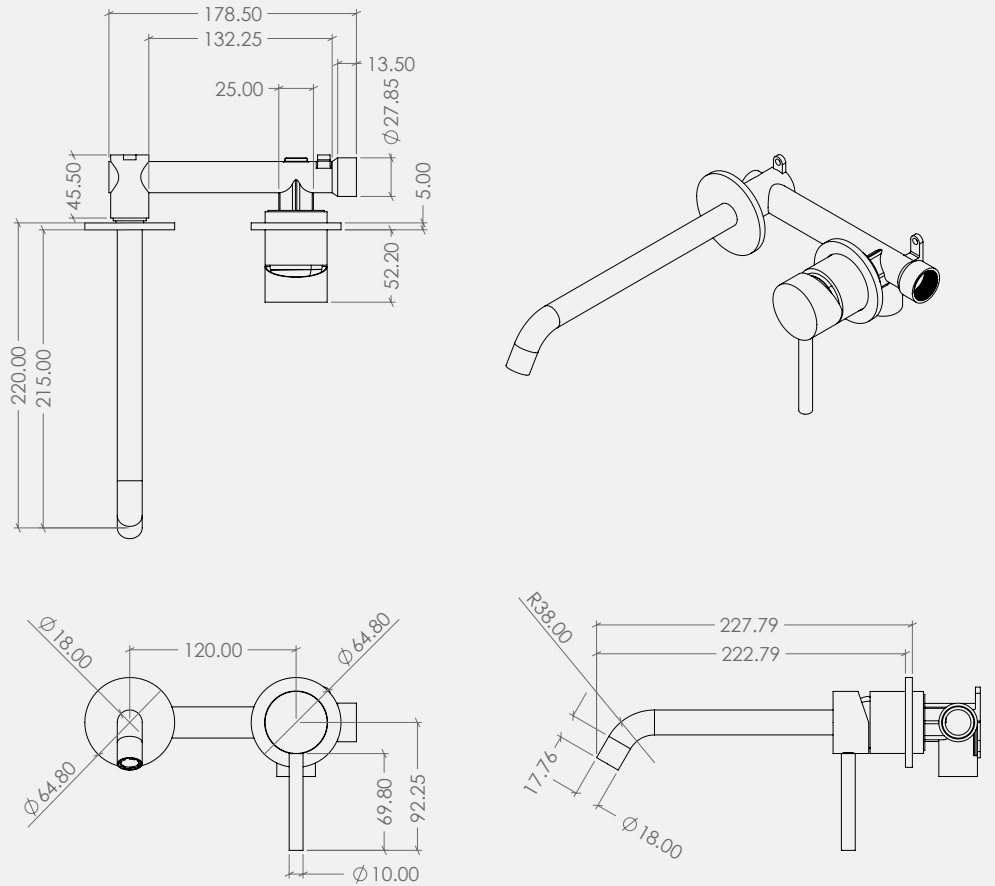
Compliance & Certificates

KIWA	Certificate No 2409750
------	------------------------

Key Components/Spare Parts

Wall Mounted Manual Tap
TSL.970

+ Technical drawing



Warranty & Spare Parts

For warranty terms and conditions please visit www.thesplashlab.com

If additional spare parts are required and are not listed above, please contact us at info.uk@thesplashlab.com

Related products



Deck-Mounted Manual Tap
TSL.950



Wall-Mounted Manual Soap
Dispenser
TSL.470



Wall-Mounted Cylindrical Pump
Soap Dispenser
TSL.938