

Deck Mounted Manual Tap

TSL.950

The TSL.950 is a deck-mounted manual tap that features a sleek spout, with an integrated lever operated mixer, available in a range of finishes.

Finish	Codes	LRV*
● Satin	TSL.950.CS	58
● Black	TSL.950.BK	3
● Brass	TSL.950.BR	40
● Copper	TSL.950.CP	19
● Bronze	TSL.950.BZ	17

Light Reflectance Value*

+ Satin



+ Black



+ Brass



+ Copper



+ Bronze



Technical Data

Body Material	AISI 304 Stainless Steel
Coating Type	PVD (colours only)
Aerator	Cascade
Water Pressure (Dynamic)	0.5 to 7.5 Bar [0.05 to 0.75MPa]
Water Temperature (max)	60°C
Flow Rates	3.8 litres/minute - Cascade flow 1.9 litres / minute - Spray flow
Also available	1.35 litres / minute - Spray flow

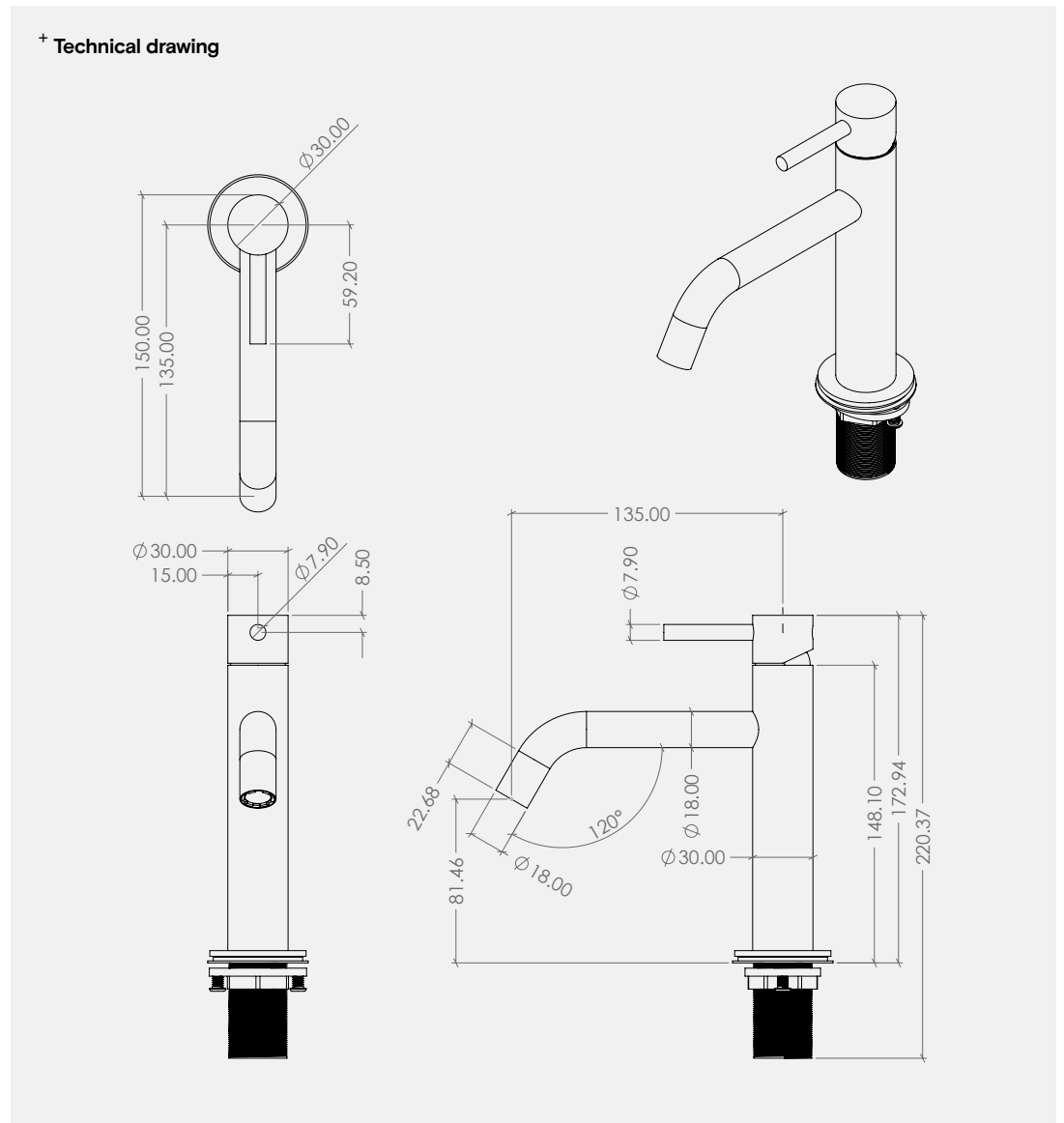
Installation requirements

Countertop Cut-out Size	ø 30mm
Maximum Countertop Thickness	50mm
Water Supply	<p>0.5 Bar is the recommended minimum pressure for the taps to operate effectively. 7.5 Bar is the maximum pressure for commissioning and is NOT recommended for general use.</p> <p>Gravity-fed systems may require a booster pump to achieve the optimal operating pressure.</p> <p>All pipework must be thoroughly cleaned and clear of any debris before connecting the tap.</p>

Key Components/Spare Parts

Deck Mounted Manual Tap
TSL.950

+ Technical drawing



Warranty & Spare Parts

For warranty terms and conditions please visit www.thesplashlab.com

If additional spare parts are required and are not listed above, please contact us at info.uk@thesplashlab.com

Related products



Wall-Mounted Manual Tap
TSL.970



Manual Deck Mounted Soap
Dispenser
TSL.410



Wall-Mounted Cylindrical Pump
Soap Dispenser
TSL.938