

# Aerofoil Integrated Plumbing System

installation guide

+ THE  
SPLASH  
LAB

# contents

**3**      Components List

---

**4**      Installation

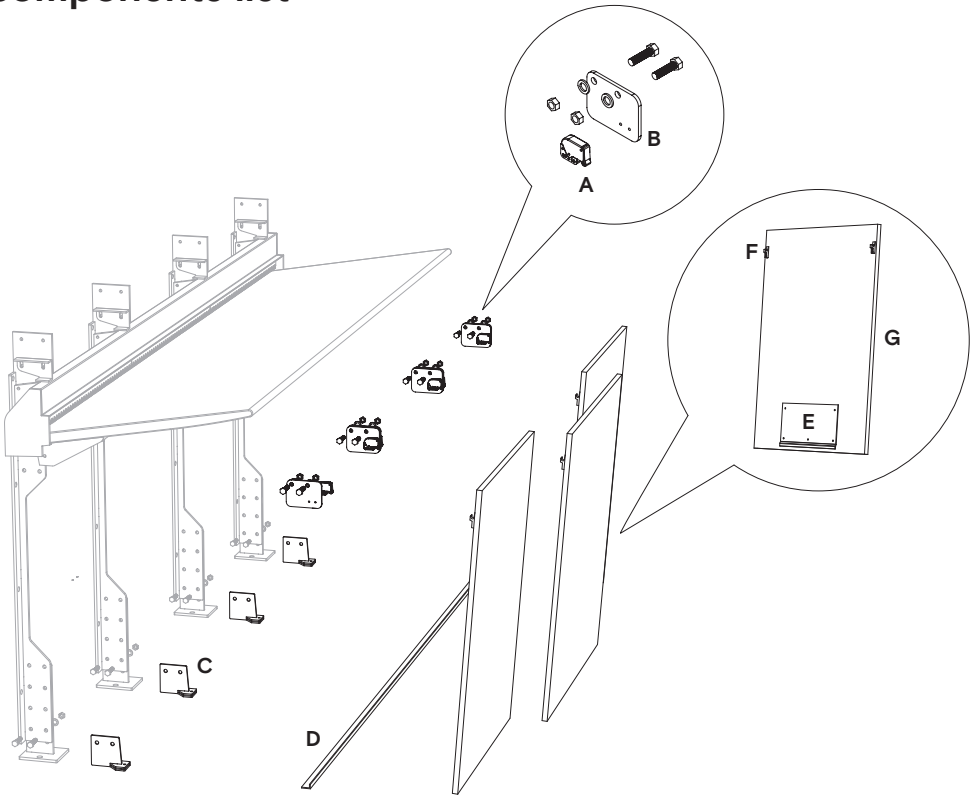
---

**5**      Contact Information

---

# Aerofoil IPS

## components list



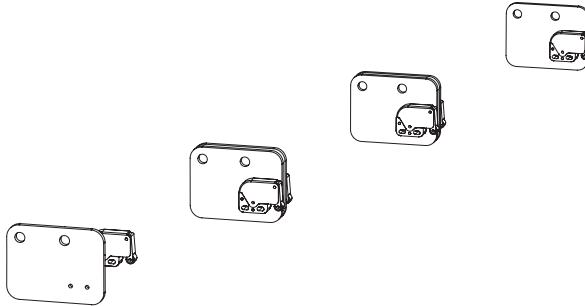
		600mm	1200mm	1800mm	2400mm	3000mm
A	Spring Latch	2	4	6	8	10
B	Latch Plate	2	4	6	8	10
C	Angle Bracket	2	3	4	5	6
D	Aluminium Angle	1	1	1	1	1
E	Access Panel Backplate	1	2	3	4	5
F	Access Panel Latch Clip	2	4	6	8	10
G	Access Panel	1	2	3	4	5

For bespoke sizes not listed above please contact us at [info.uk@thesplashlab.com](mailto:info.uk@thesplashlab.com)

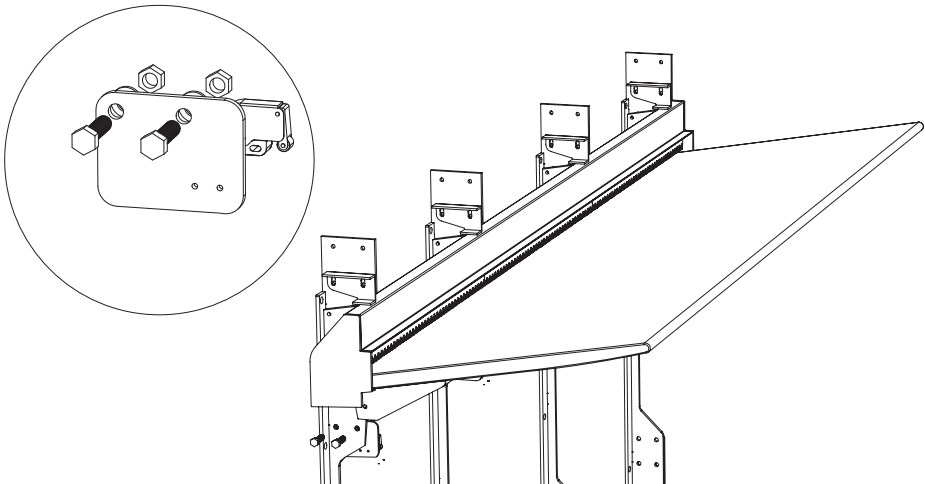
The Access Panels (G) will arrive with the Latch Clips (F) and the Backplates (E) pre-fitted. If you have opted to not use The Splash Lab's Access Panels, parts (G) will be absent and parts (F) & (E) will arrive loose.

# Aerofoil IPS - installation

STEP 1 - Attach spring latches (A) to the latch plates (B) as shown with the fixings supplied (M3 x16mm). This guide uses a TSL.AERO18 (3 user Aerofoil), with 3 access panels, using 2 latches per panel.

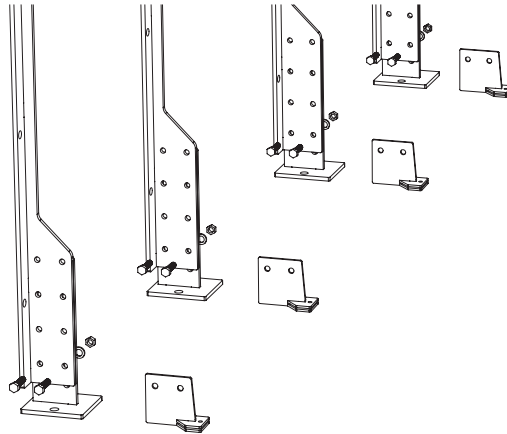


STEP 2 - Using the fixings supplied, mount the assembled latch plates to the leg assembly.

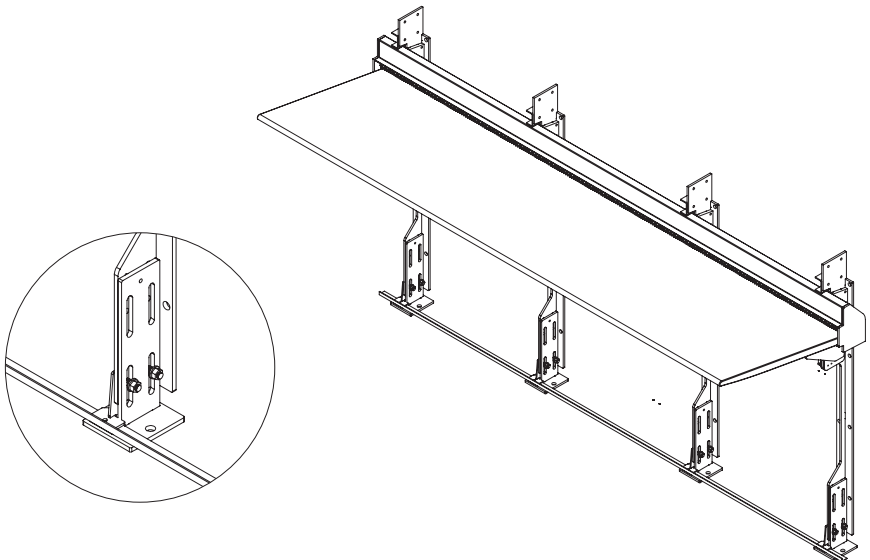


# Aerofoil IPS - installation

STEP 3 - Secure the angle brackets (C) to the leg assembly using the fixings supplied



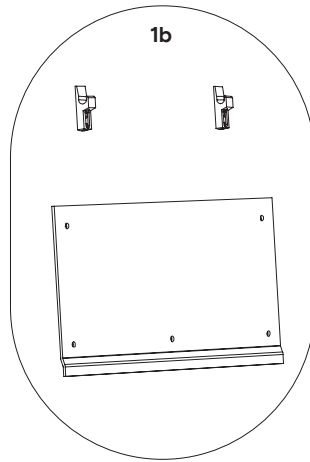
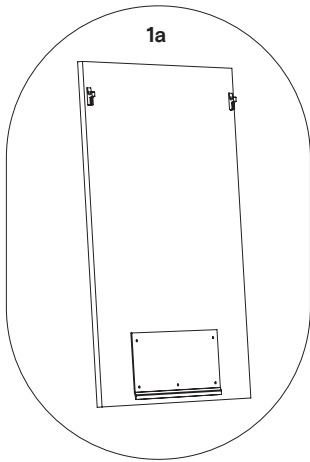
STEP 4 - Aluminium angle (D) can then be fitted into the angle brackets (C) using the self tapping screws provided. (Ensure aluminium angle is mounted in each bracket and is centred with the washplane before fixing)



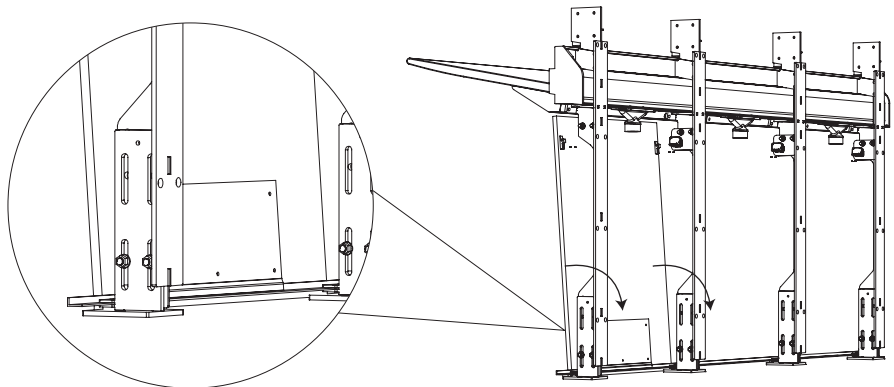
# Aerofoil IPS - installation

STEP 5 - Fitting access panels. If you selected access panels by The Splash Lab, you will find a pre-assembled door (1a) and can proceed with the following steps.

If you have opted not to use The Splash Lab's access panels, you will be provided parts (1b) and will need to follow the fitting instructions using the template found at the back of this guide. Once complete, return to follow from Step 6.



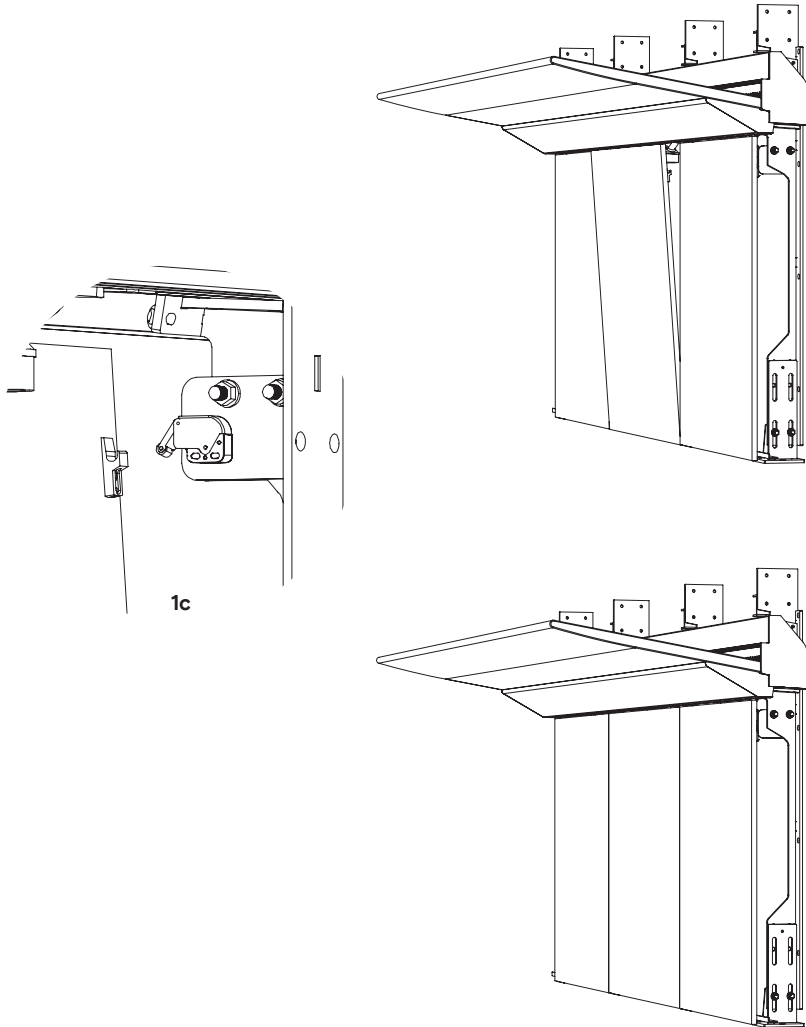
STEP 6 - Guide the access panel backplate (E) lip over the vertically protruding aluminium angle (D).



# Aerofoil IPS - installation

STEP 7 - Ensure spring latches (A) are in the open position (1c). Then, keeping the access panel backplate (E) lip rested on the aluminium angle (D), push the top corners of the access panel inwards. The access panel latch clips (F) on the back of the access panel will engage with the spring latches (A) and will clip the panel in place.

To open the access panel, simply press inwards on the top corners. This will disengage the spring latches (A) with the access panel latch clips (F), allowing the panel to be lifted out.



# contact



**General information**

[info.uk@thesplashlab.com](mailto:info.uk@thesplashlab.com)

+44 (0) 161 482 7000

Meadow Industrial Estate, 34 Water Street,  
Stockport SK1 2BU

**Technical support**

[info.uk@thesplashlab.com](mailto:info.uk@thesplashlab.com)

**For further contact information visit:**

[www.thesplashlab.com](http://www.thesplashlab.com)

