

# Adaptor Plate for TSL.3012

TSLP.BTM.002

The TSLP.BTM.002 is an adaptor plate for the TSL.3012, making it compatible with the TSL.MR30 & TSL.MR40, (Behind The Mirror System).

Finish	Codes
● Black Powder Coat	TSLP.BTM.002.BK
● White Powder Coat	TSLP.BTM.002.WH

**+** TSLP.BTM.002



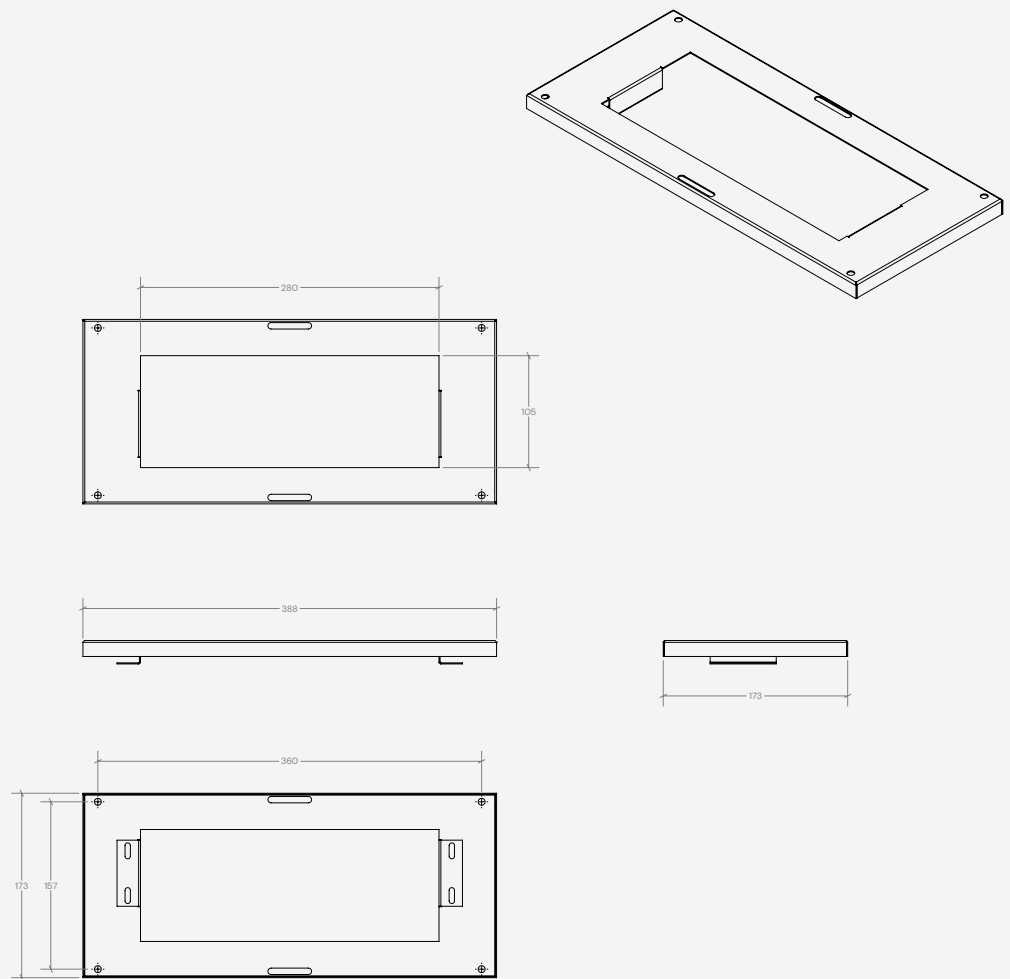
## Key Components/Spare Parts

Adaptor Plate for TSL.3012  
TSLP.BTM.002

## Technical Data

Weight	0.3kg
Stainless Steel	EN 1.4509

## + Technical drawing

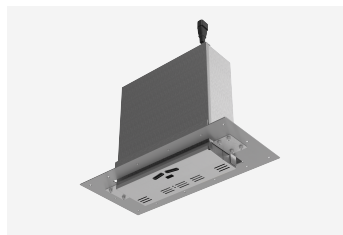


## Warranty & Spare parts

For warranty terms and conditions please visit [www.thesplashlab.com](http://www.thesplashlab.com)

If additional spare parts are required and are not listed above, please contact us at [info.uk@thesplashlab.com](mailto:info.uk@thesplashlab.com)

## Related products



**Behind The Mirror Hand Dryer**  
TSL.3012



**Behind The Mirror System / 600**  
TSL.MR30



**Behind The Mirror System / 1200**  
TSL.MR40