

Behind The Mirror Soap Dispenser

TSLP.BTM.001

The TSL.BTM.001 is a 2L capacity sensor operated soap dispenser that works in conjunction with the TSL.MR30 & TSL.MR40 Behind The Mirror systems. Available as both battery operated or mains powered.

Finish	Codes
● Black Powder Coat	TSLP.BTM.001.BK
● White Powder Coat	TSLP.BTM.001.WH

+ TSLP.BTM.001



Technical Data

Material	EN 1.4059 Stainless Steel + mixed material components
Dimensions	W.193mm x H.293mm x D.173mm
Finish	Matte black or white powder coated
Capacity	2 Litre
Battery Unit	Uses 4x C cell batteries
Mains Power Unit	Adapts 240V supply to 5V

Additional Information

Dispensing pump is compatible with liquid soap formulations

Base plate sits on fixings within the cabinet and is secured into place

Dispenser can be positioned in multiple locations within the cabinet

Dispensers and consumables are protected by lockable cabinet door

Utilises half a modular cabinet space

Blanking plates available separately if required

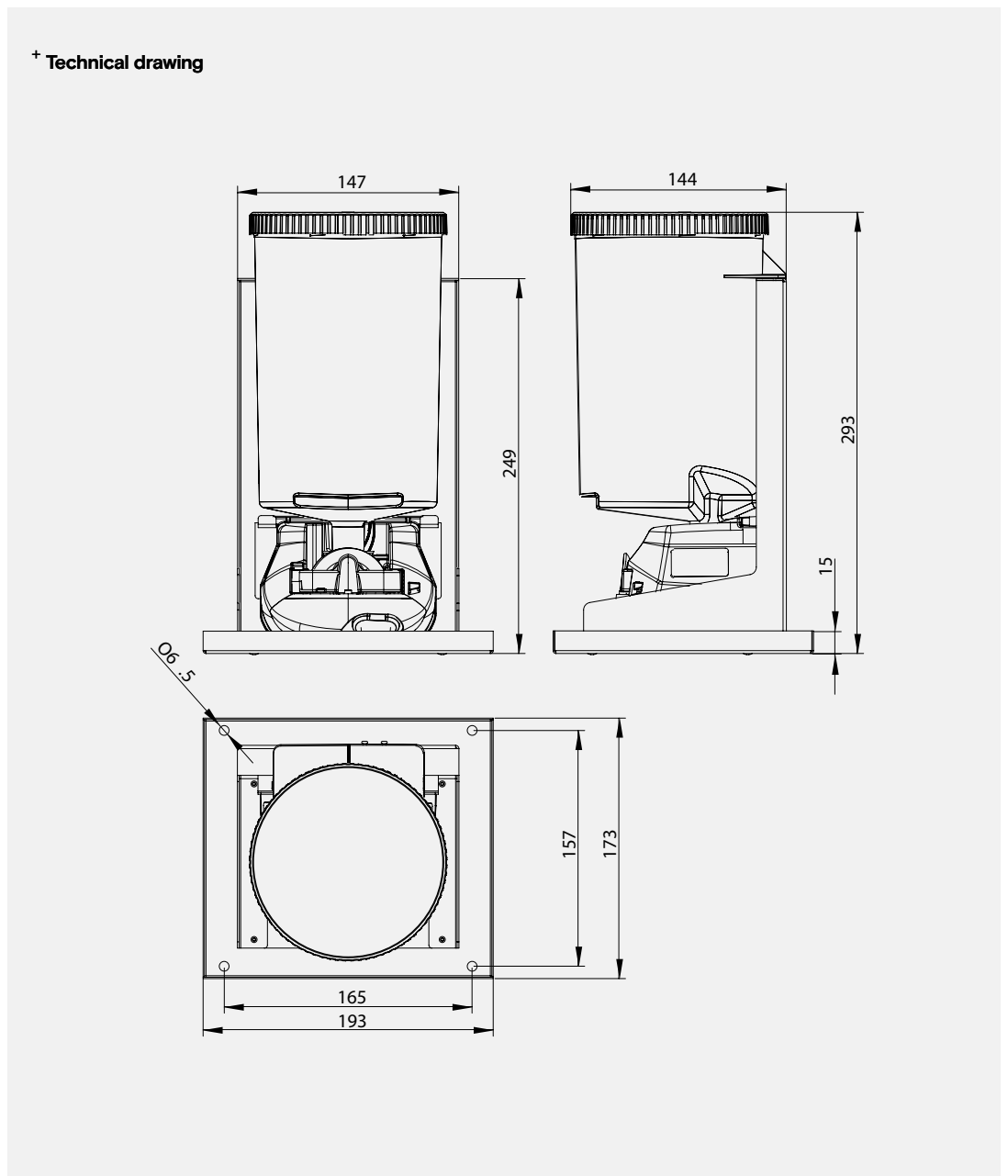
Spare consumables can be conveniently stored on the shelf within the Behind The Mirror System

Suitable for installation within a bespoke cabinet or shelf

Key Components/Spare Parts

Behind The Mirror Soap Dispenser
TSL.BTM.001

+ Technical drawing



Warranty & Spare parts

For warranty terms and conditions please visit www.thesplashlab.com

If additional spare parts are required and are not listed above, please contact us at info.uk@thesplashlab.com

Related products



Behind The Mirror Hand Paper
Towel Dispenser
TSLP.BTM.003



Behind The Mirror System / 600
TSL.MR30



Behind The Mirror System / 1200
TSL.MR40