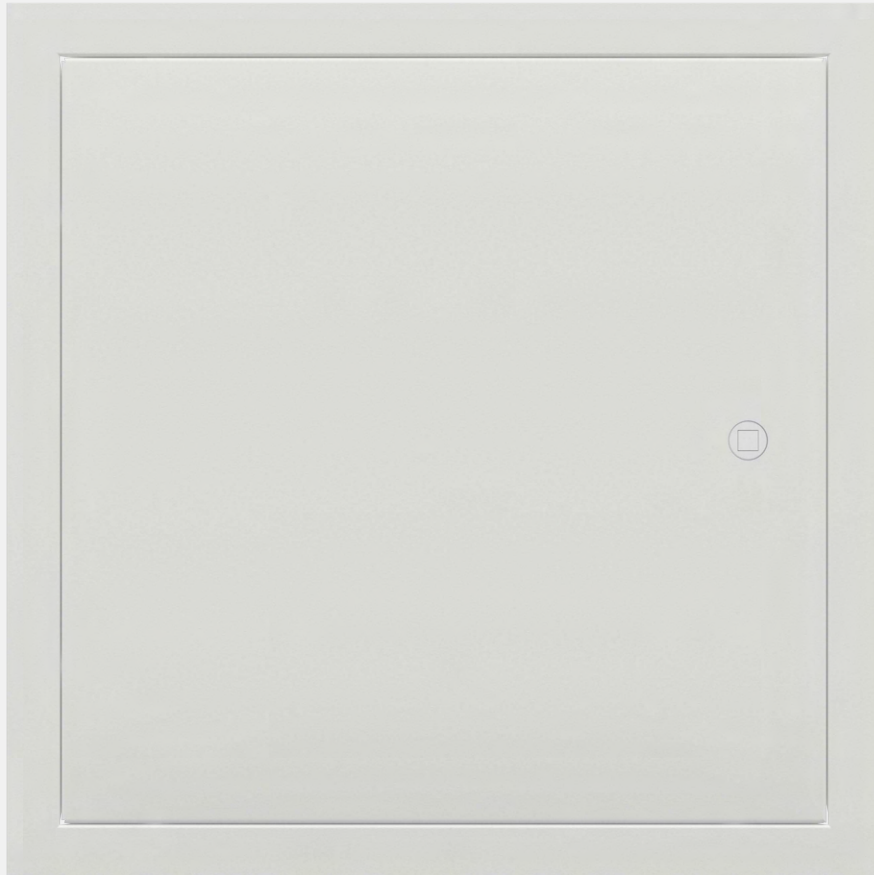


Metal Faced Access Panel

TSLP.210001

The TSLP.210001 is a powder coated metal faced access panel with a picture frame, designed to fit into a structural membrane of a joint-less plasterboard wall + ceiling system.

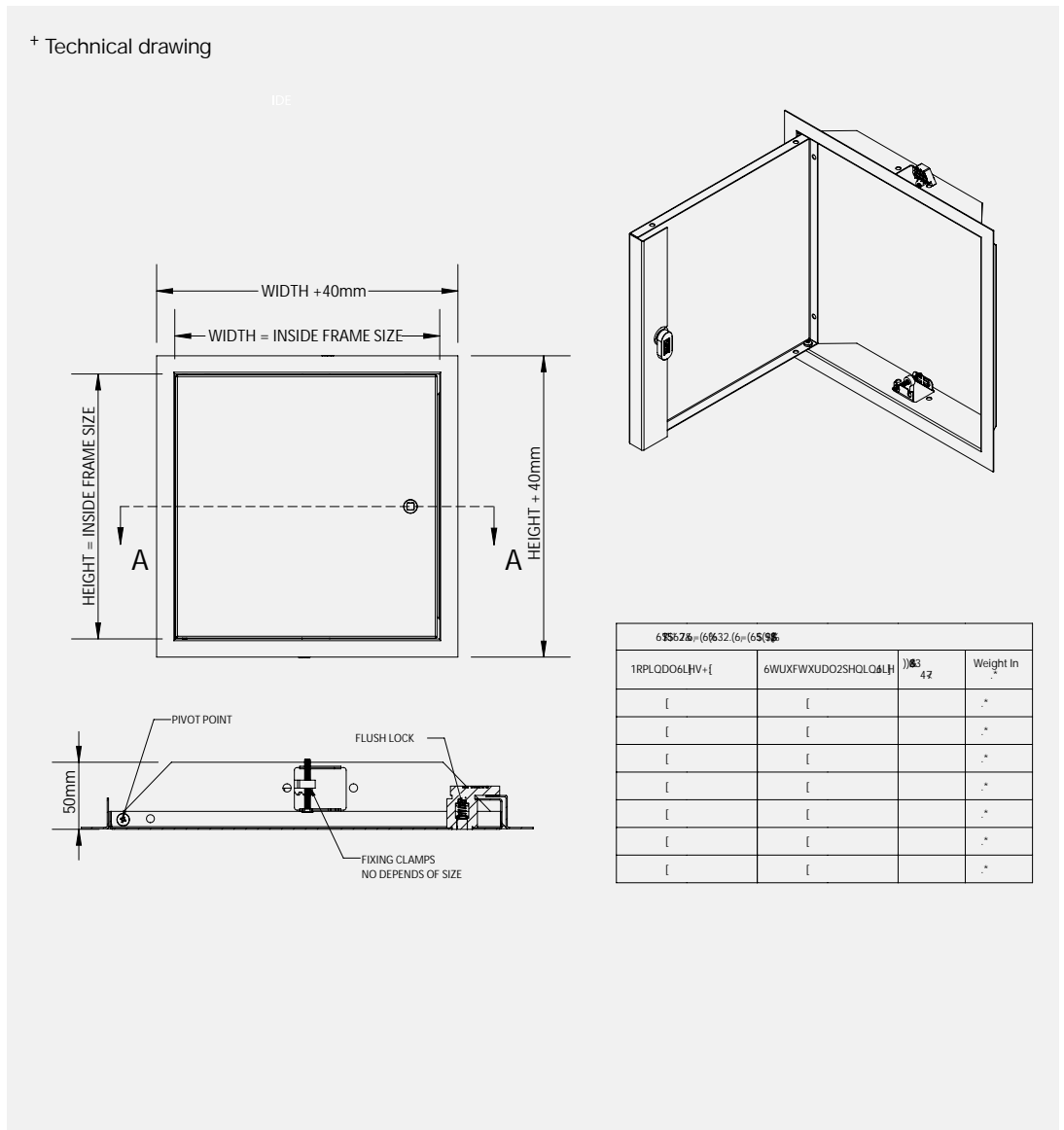
+ TSLP.210001



Key Components

Metal Faced Access Panel
TSLP.210001

† Technical drawing



Warranty & spare parts

For warranty terms and conditions please visit www.thesplashlab.com
If additional spare parts are required and are not listed above, please contact us at info.uk@thesplashlab.com

Related products

