

# Behind The Mirror System / 600mm

TSL.MR30

The TSL.MR30 is a slimline behind the mirror hand hygiene system, designed to save space, optimising washroom flow. Configure your system with your choice of dispensers including our soap dispenser, paper towel dispenser and hand dryer.

Finish	Codes
● Black Powder Coat	TSL.MR30.BK
● White Powder Coat	TSL.MR30.WH

+ TSL.MR30



## Technical Data

Material	1.4509 Stainless Steel
Dimensions	W.600mm x H.960mm x D.230mm
Finish	Matte black or white powder coated

## Additional Information

Can be used individually or combined for wider installations

Door is supported by gas struts ensuring easy opening for servicing

A shelf incorporated into the cabinet design provides handy storage for spare consumables

The lockable cabinet door protects the dispensers and consumables

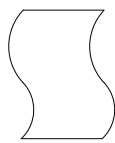
Blanking plates are available separately to cover any unused soap/hand dryer or paper towel positions

Easy to install using 2 wall brackets

The base plates of the dispensers sit on the shelf and are fixed into place

For linear installations that cannot be filled by combinations of standard cabinets, bespoke filler units are available separately which are made to order to your exact specifications. For more information, please contact us at [info.uk@thesplashlab.com](mailto:info.uk@thesplashlab.com)

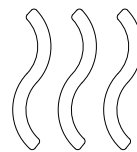
## Glass Symbol Etching Available (Text not included)



\*Paper Towel\*

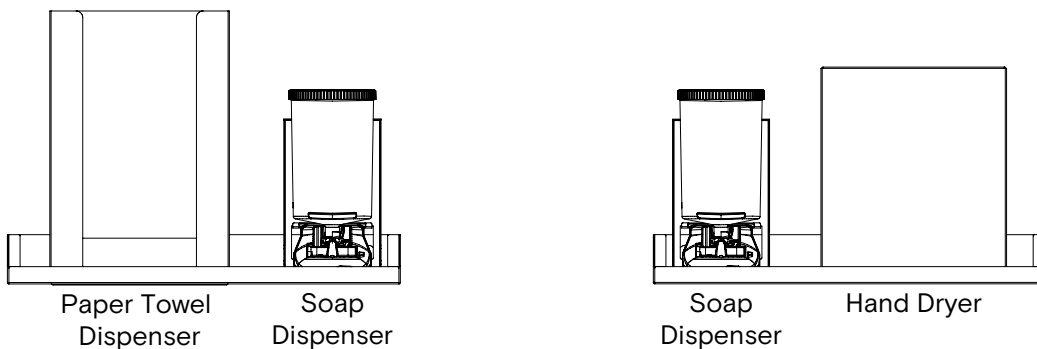


\*Soap Dispenser\*



\*Hand Dryer\*

## Configuration Suggestions



## Key Components/Spare Parts

Behind The Mirror System / 600  
TSL.MR30

BTM Soap Dispenser / Mains  
TSLP.BTM.001

Adaptor Plate for TSL.3012  
TSLP.BTM.002

BTM High Speed Hand Dryer  
TSL.3012

BTM Paper Towel Dispenser  
TSLP.BTM.003

BTM Infill Panels  
TSLP.BTM.004

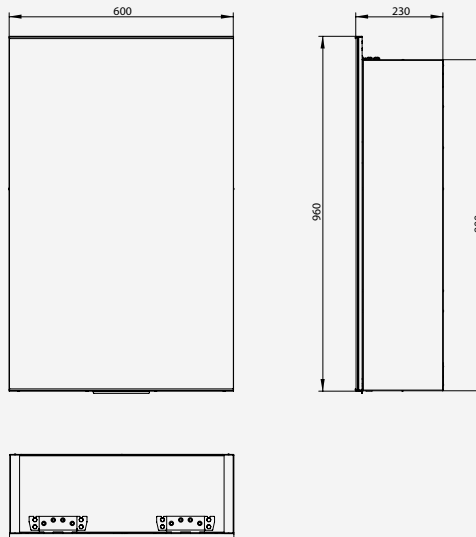
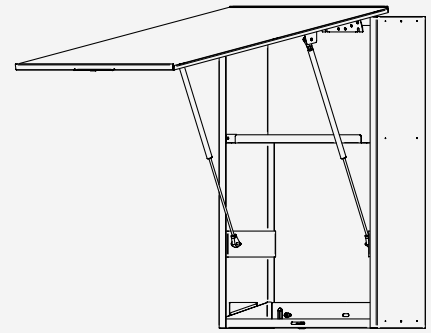
BTM Shelf 600  
TSLP.BTM.005

BTM Shelf 1200  
TSLP.BTM.006

BTM Full Blank  
TSLP.BTM.007

BTM Half Blank  
TSLP.BTM.008

## + Technical drawing



## Warranty & Spare parts

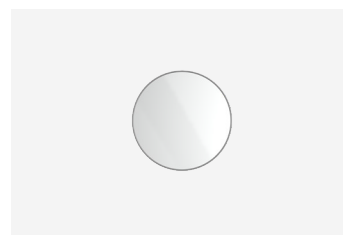
For warranty terms and conditions please visit [www.thesplashlab.com](http://www.thesplashlab.com)

If additional spare parts are required and are not listed above, please contact us at [info.uk@thesplashlab.com](mailto:info.uk@thesplashlab.com)

## Related products



**Behind The Mirror System / 1200**  
TSL.MR40



**PVD Mirror / Circular**  
TSL.MR10



**PVD Mirror / Rectangular**  
TSL.MR20