

DDA Backrest

TSL.522

The TSL.522 is a DDA and DOC M compliant backrest with concealed fittings, for use with 750mm projection WC's.

Finish	Codes	LRV*
● Satin	TSL.522.CS	58
● Black	TSL.522.BK	3
● Brass	TSL.522.BR	40
● Copper	TSL.522.CP	19
● Bronze	TSL.522.BZ	17

Light Reflectance Value*

+ Satin



+ Black



+ Brass



+ Copper



+ Bronze



Technical Data

Weight	2Kg
Frame Material	304 Stainless Steel
Cushion Material	Polyurethane Foam

Installation requirements

Backrest must be fixed to a suitable wall substrate to allow correct use to be made of the product. The Splash Lab recommend that installers contact a fixings specialist for advice to ensure the correct fixings are used for the location. Fixings not included with backrest.

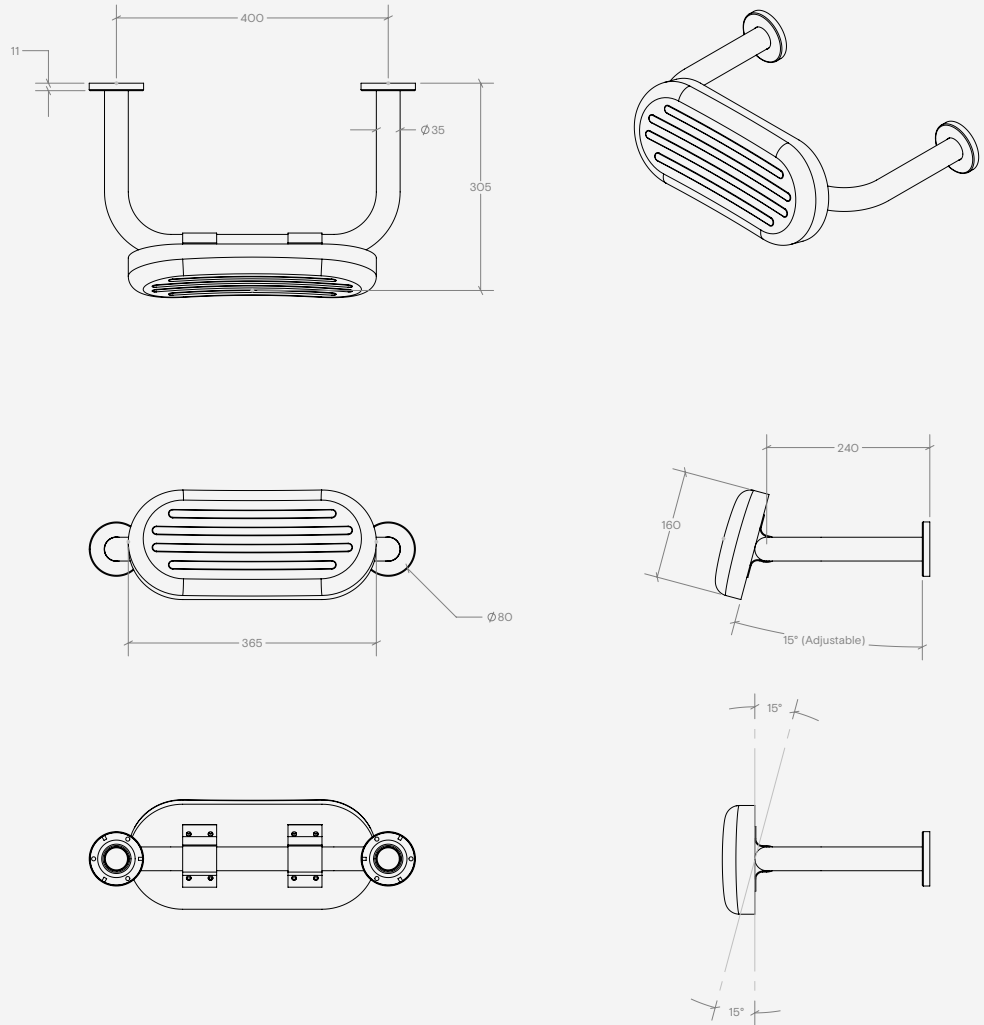
Compliance & certificates

The TSL.522 Backrest can be used to form part of a DDA compliant washroom, if installed in accordance with the current guidelines in force.

Key Components/Spare Parts

DDA Backrest
TSL.522

+ Technical drawing



Warranty & Spare Parts

For warranty terms and conditions please visit www.thesplashlab.com

If additional spare parts are required and are not listed above, please contact us at info.uk@thesplashlab.com

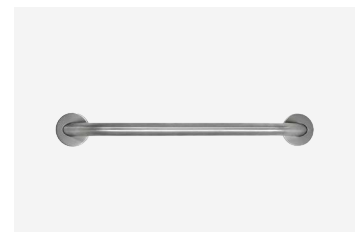
Related products



**Wall Hung 750mm Projection
WC**
TSL.WH750.001



**Floor Standing 750mm Projection
WC**
TSL.FS750.001



Straight Grab Bar - 600mm
TSL.GR45.600