

# DDA Backrest

TSL.522

The TSL.522 is a DDA and DOC M compliant backrest with concealed fittings, for use with 750mm projection WC's.

Finish	Codes	LRV*
● Satin	TSL.522.CS	58
● Black	TSL.522.BK	3
● Brass	TSL.522.BR	40
● Copper	TSL.522.CP	19
● Bronze	TSL.522.BZ	17

Light Reflectance Value\*

+ Satin



+ Black



+ Brass



+ Copper



+ Bronze



**Technical Data**

---

Weight	2Kg
Frame Material	304 Stainless Steel
Cushion Material	Polyurethane Foam

---

**Installation requirements**

---

Backrest must be fixed to a suitable wall substrate to allow correct use to be made of the product. The Splash Lab recommend that installers contact a fixings specialist for advice to ensure the correct fixings are used for the location. Fixings not included with backrest.

---

**Compliance & certificates**

---

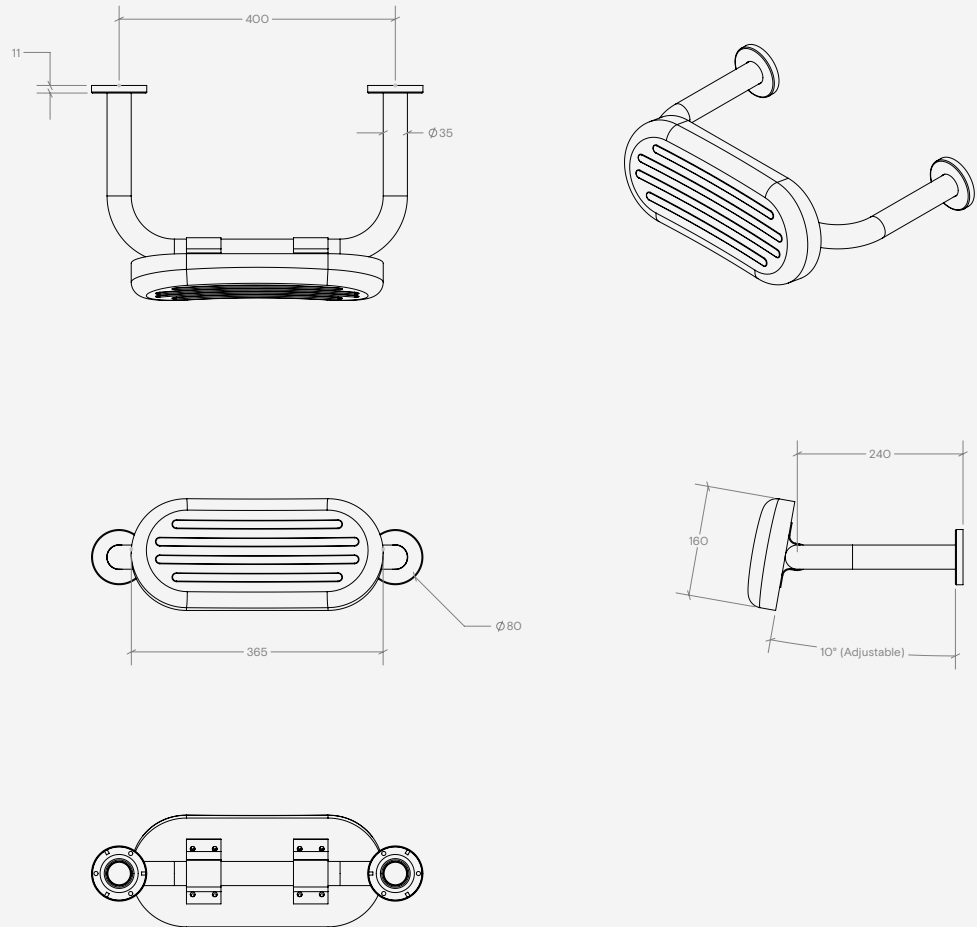
The TSL.522 Backrest can be used to form part of a DDA compliant washroom, if installed in accordance with the current guidelines in force.

---

## Key Components/Spare Parts

DDA Backrest  
TSL.522

### + Technical drawing



### Warranty & Spare Parts

For warranty terms and conditions please visit [www.thesplashlab.com](http://www.thesplashlab.com)

If additional spare parts are required and are not listed above, please contact us at [info.uk@thesplashlab.com](mailto:info.uk@thesplashlab.com)

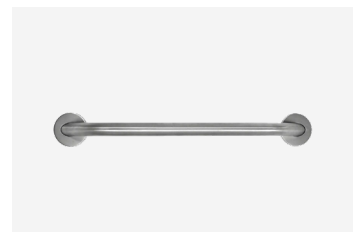
### Related products



**Wall Hung 750mm Projection  
WC**  
TSL.WH750.001



**Floor Standing 750mm Projection  
WC**  
TSL.FS750.001



**Straight Grab Bar - 600mm**  
TSL.GR45.600