

TSL.PS1

Monolith Basin System Pipeskirt

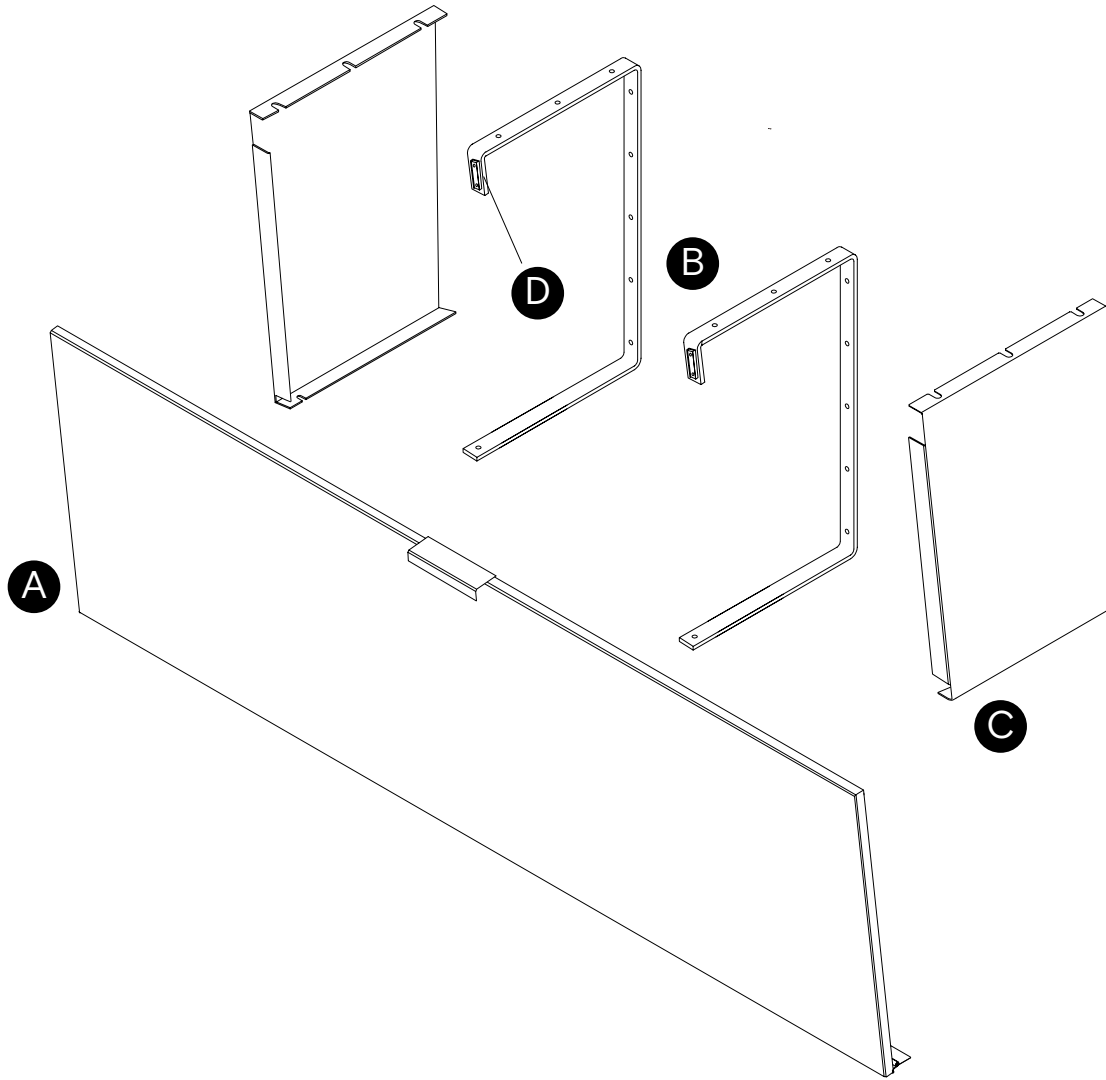
installation + maintenance

+
THE
SPLASH
LAB

contents

3	Box contents
4	Technical data
5	Before you install
6	How to install
7	Ada compliance
8	Operation + maintenance
9	Warranty
10	Contact

box contents



A Door panel

B Brackets x 2

C Side skirt (if specified)

D Magnet closure (affixed)

technical data

Finishes	TSL.PS1.SS TSL.PS1.WH TSL.PS1.BK	-	Brushed Stainless White Powder Coat Black Powder Coat
Weight	4kg (per 762mmm increment)		
Closure	Magnet		
Stainless steel grade	AISI306		
Warranty	1 year limited warranty		

replacement parts

Door	TSL.PS1.CS/ WH / BK
Side panel - left	TSL.LSS.24.CS / WH / BK
Side panel - right	TSL.RSS.24.CS / WH / BK
Bracket	PS1.B (white) / PS1.BK (black)

General information

info.uk@thesplashlab.com

+44 (0) 161 482 7000

Meadow Industrial Estate, 34 Water
Street

Stockport SK1 2BU

Technical support

technical@thesplashlab.com

For further contact information visit:

www.thesplashlab.com

before you install

Location

Please refer to the ADA compliance diagram on page 9 to verify your basin, fixtures, and pipe skirt mountings all correspond to current regulations.

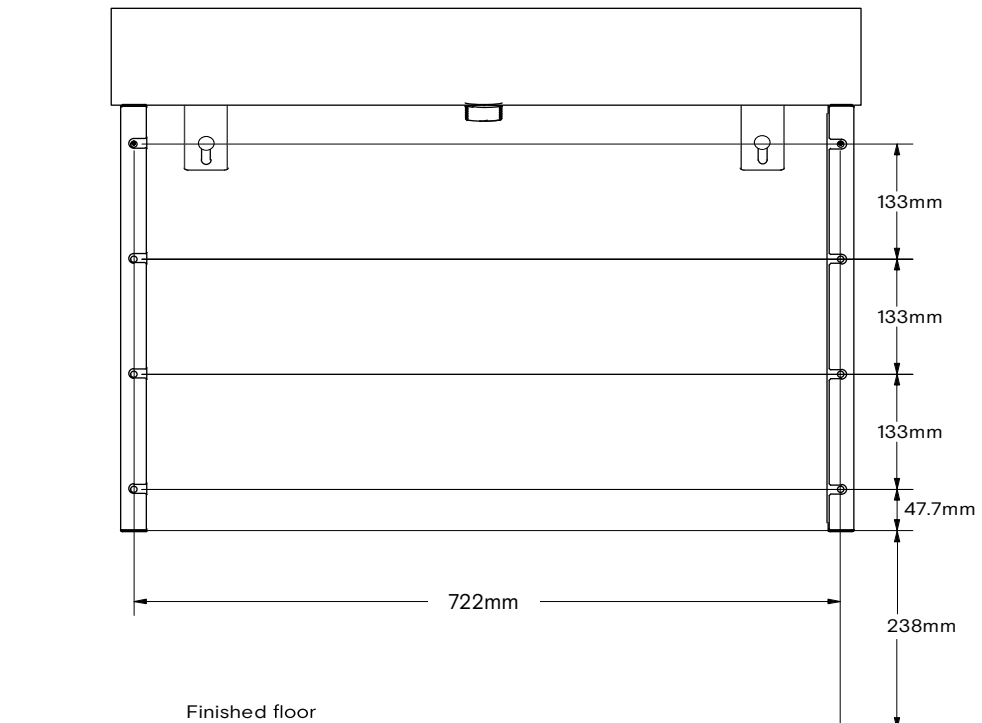
Fixing

The rail must be mounted with fixings appropriate to the wall construction.

Basin

The Splash Lab Monolith (Type A or B) basin is recommended for use with the PS1 angled pipe skirt. If an alternative basin is used, please confirm with The Splash Lab that the products will be compliant.

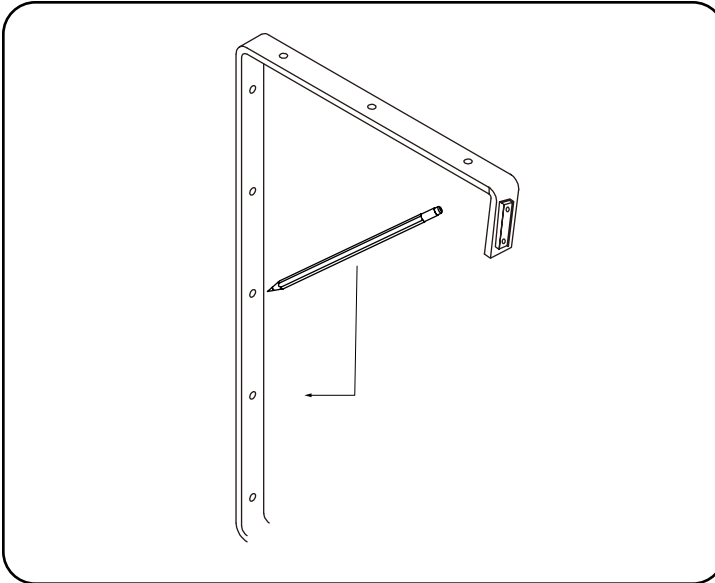
Bracket placement



how to install

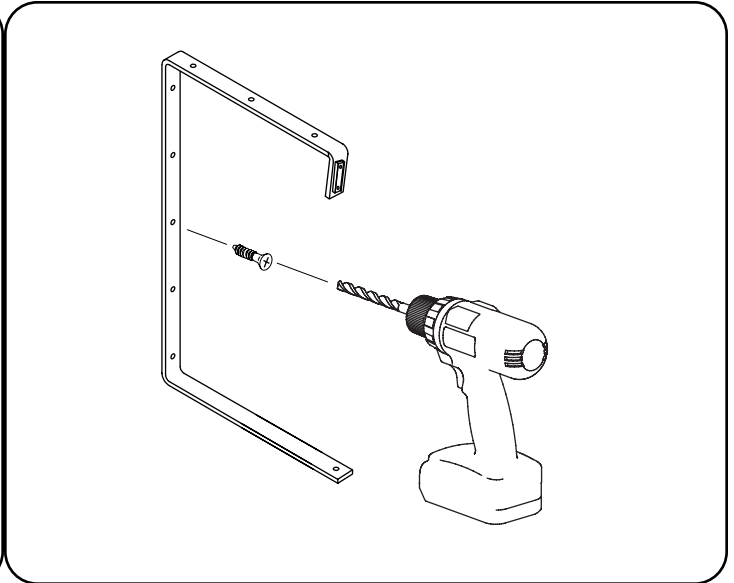
1

Set the brackets on the wall lined up with the edges of the sink and mark fixing points with a pencil.



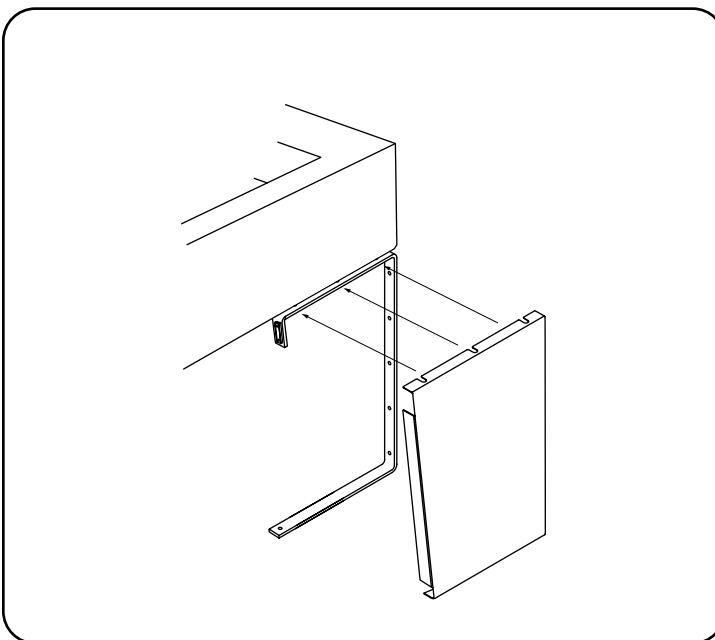
2

Attach the brackets using hardware that is suitable for the weight of the skirt system and appropriate to the wall construction.



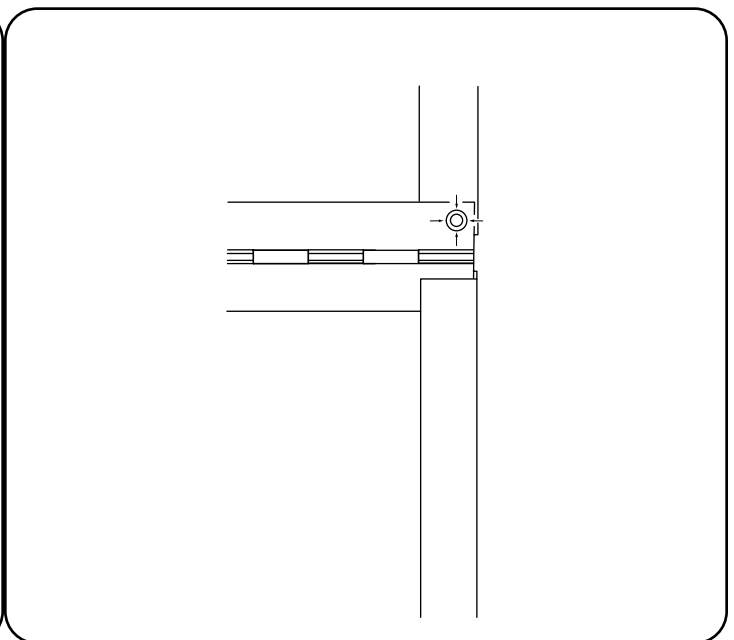
3

If side skirts have been specified, fit the panels over the bracket from the outside.



4

Fit the unattached hinge panel at the bottom of the door over the brackets so that the holes in each line up.

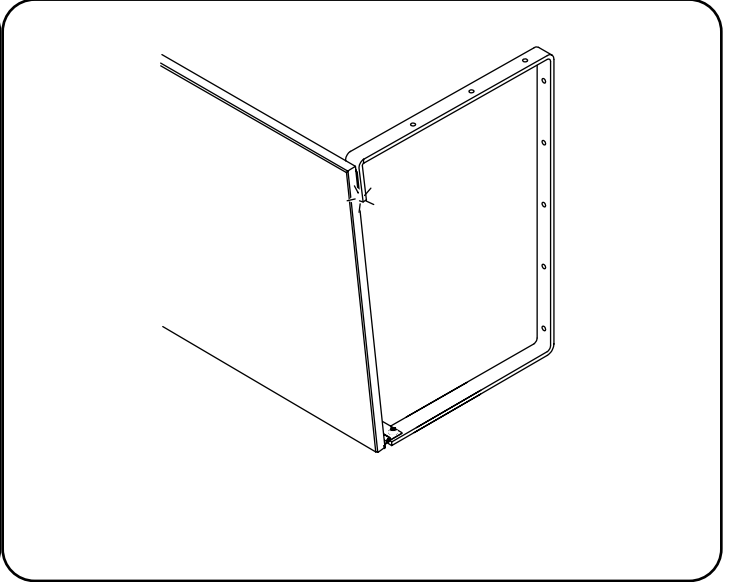
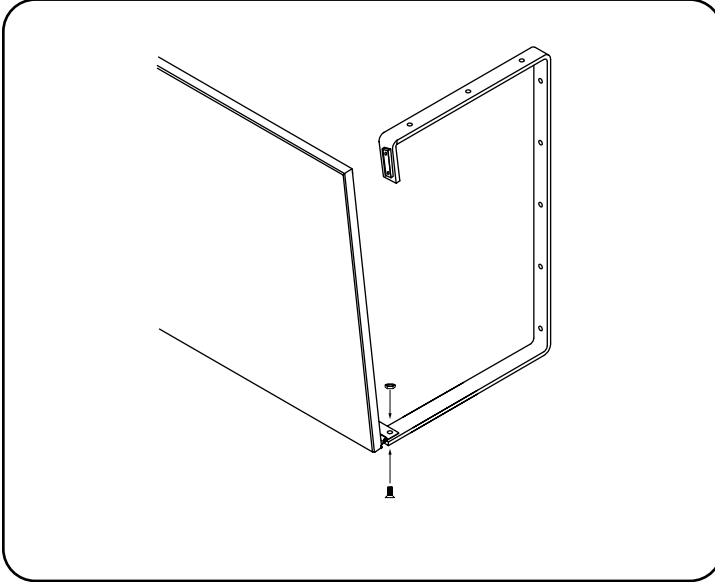


5

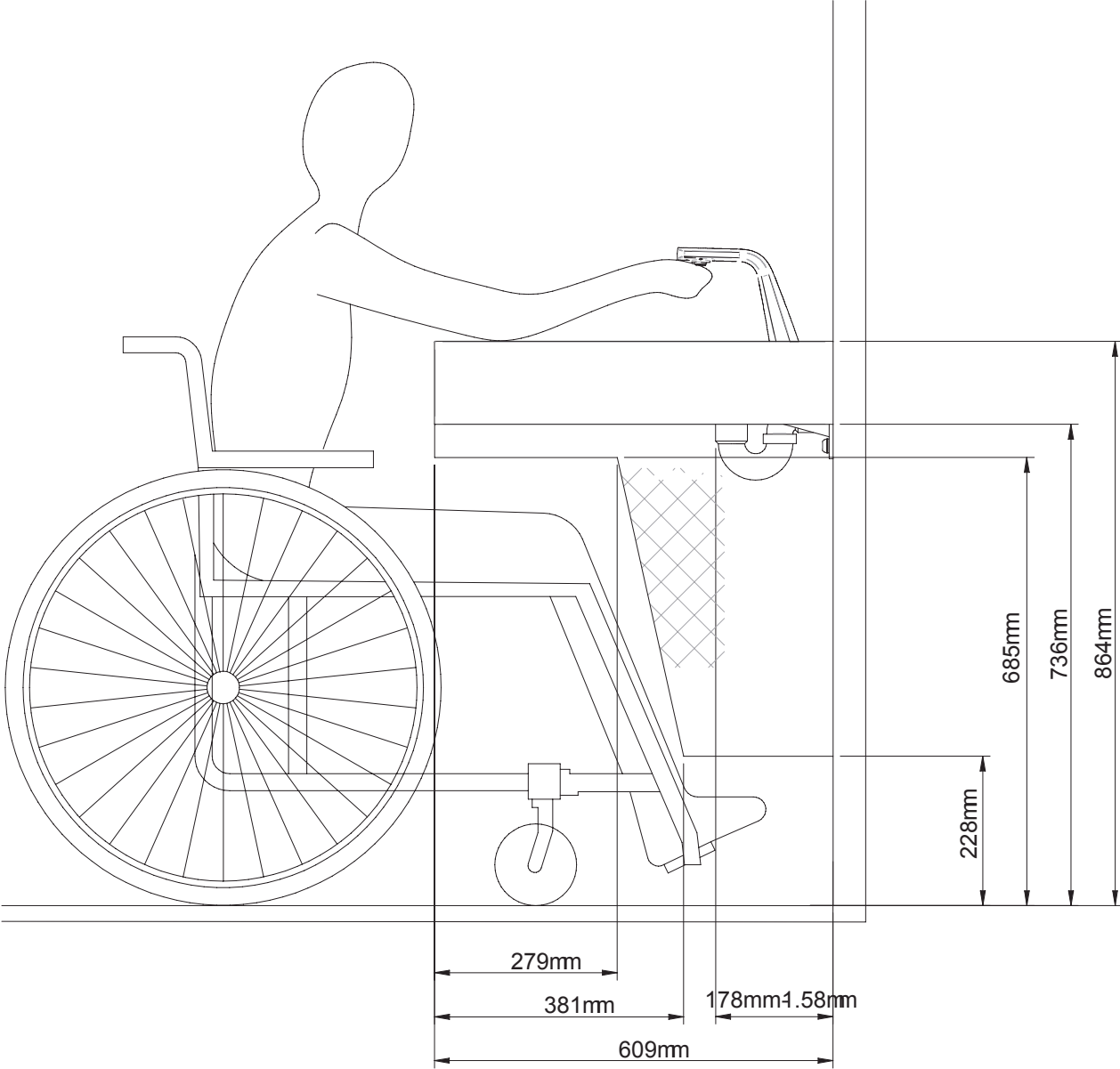
Using an appropriately sized bolt and nut, fix the side skirt, bracket and hinge panel together by passing the bolt up through bracket hole and securing with the nut.

6

Fold the door up until the magnetic closure engages.



ada compliance



operation + maintenance

operation

Pull firmly on the door handle or handles until magnets disengage.

Manually lower access door to its resting position.

To close, gently raise door until magnets engage.

cleaning

All grades of stainless steel will stain or discolor if due care and attention is not taken. The surface must be regularly cleaned to ensure a long service life of the pipe skirt.

Use a soft cloth or sponge with a mild solution of soapy water as part of the regular janitorial routine. Do not use abrasive or cream cleaners as these will damage the surface finish.

If the apron is subjected to a highly chlorinated environment e.g. swimming pools or marine coastal locations, a further treatment, in addition to the regular cleaning as described above, is recommended to use a household cleaning product containing silicone.

If further information is required, contact The Splash Lab Team for more detailed stainless-steel care guidelines.

maintenance

The fixings should be periodically inspected to ensure the brackets are firmly attached to the wall.

warranty

We believe the future is personal. With a global mindset, we challenge conventional restroom norms via product innovation to create considered washroom solutions for corporate and educational spaces. We use rich raw materials, cutting-edge automation and considered washroom design to powerfully and positively influence the lives of people. We are The Splash Lab.

Demonstrating our commitment to quality and our belief in the strength of our designs, we can offer the following warranties.

The Splash Lab will warrant that its products will be free of manufacturing and material defects during normal use and environmental conditions as detailed below:

TSL.PS1 Angled Pipe Skirt Manual 1 year limited warranty

If a defect is found in normal use, The Splash Lab will, at their discretion, repair, provide a replacement part or product, or make appropriate adjustments. Damage caused by accident, misuse, or abuse is not covered by this warranty. Improper care and cleaning will void the warranty.

Non-operation of the product due to environmental conditions beyond our control, installation error, incorrect maintenance, water quality, fair wear and tear, incorrect or inappropriate installation, misuse and abuse is not covered by the warranty.

Proof of purchase (original sales receipt) must be provided to The Splash Lab with all warranty claims. The above warranty is valid for goods supplied within the United Kingdom.

For goods supplied outside of the United Kingdom, The Splash Lab will honor the above stated warranty periods for the parts only.

THE SPLASH LAB DISCLAIMS ANY LIABILITY FOR SPECIAL, INCIDENTAL OR CONSEQUENTIAL DAMAGES.

contact



General information

info.uk@thesplashlab.com
+44 (0)161 482 7000
Unit 34, Meadow Industrial Estate,
Water Street
Stockport SK1 2BU
United Kingdom

Technical support
info.uk@thesplashlab.com

For further information visit:
www.thesplashlab.com/uk

