

Monolith S & S+ Series

Basin System

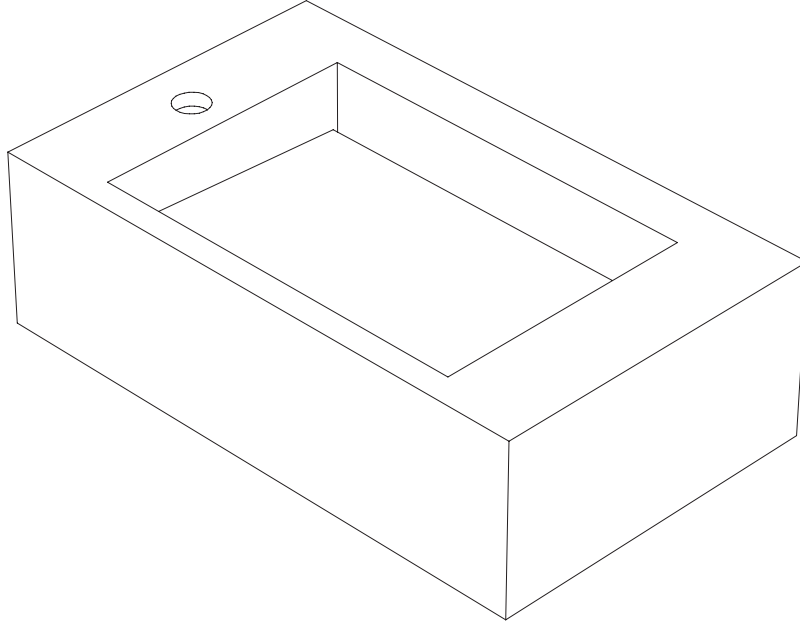
installation + maintenance

+
THE
SPLASH
LAB

contents

3	Monolith S & S+ Series
4	Components List
5	Technical Data
6-7	Before you Install
8-11	Installation
12	Operation & Maintenance
13	Cleaning & Repairs
14	Damage Prevention
15	Warranty

Monolith S & S+ Series



Monolith S & S+ Series

The Splash Lab Monolith S & S+ Series are slim profile basins, well suited to smaller washrooms and superloos.

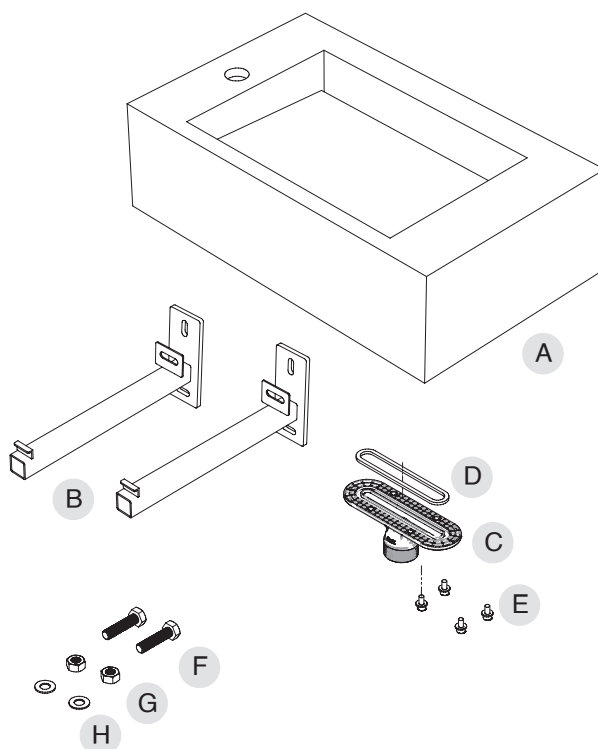
installation + maintenance

+
THE
SPLASH
LAB

Monolith S & S+ Series

components list

600mm



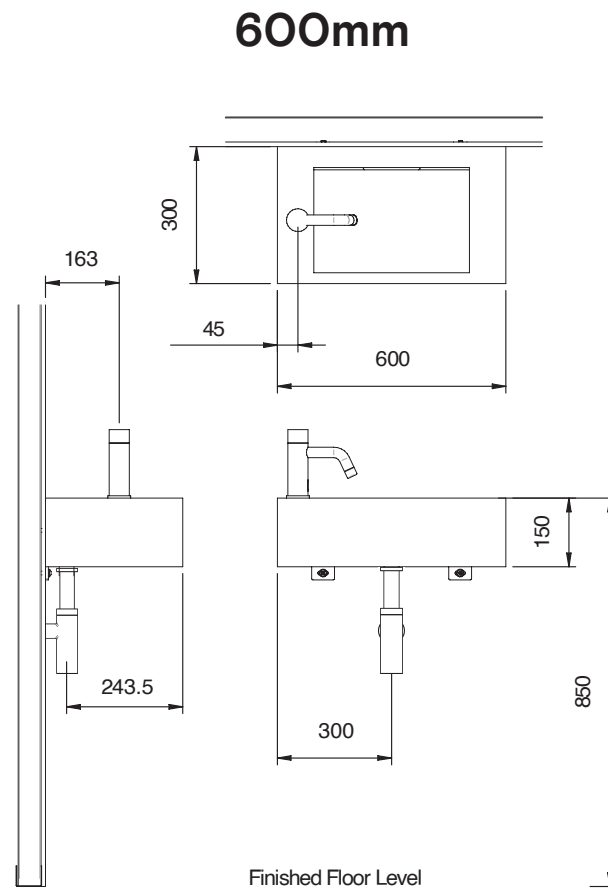
		600mm	1200mm	1800mm	2400mm	3000mm
A	Trough	1	1	1	1	1
B	Mounting bracket	2	3	4	5	6
C	Drainage funnel	1	2	3	4	5
D	Drainage funnel gasket	1	2	3	4	5
E	Drainage funnel fixings (M6 x 12 screw and washer)	4	8	12	16	20
F	Mounting bolts (M6 x 35)	2	3	4	5	6
G	Fixing nuts	2	3	4	5	6
H	Washers (M6)	4	6	8	10	12

For bespoke sizes (not listed above), use the basin size below the size you have to calculate the number of fixings and brackets that should be included. For example, for a 2000mm bespoke length Monolith, refer to the column for a 1800mm Monolith.

Please check that all components are included and advise The Splash Lab if any parts are missing. Fixings are not included for fastening the brackets to the wall as each location is different. The Splash Lab recommend that you consult a fixings specialist for advice on the most appropriate fixing method for your project.

Monolith S & S+ Series

technical data



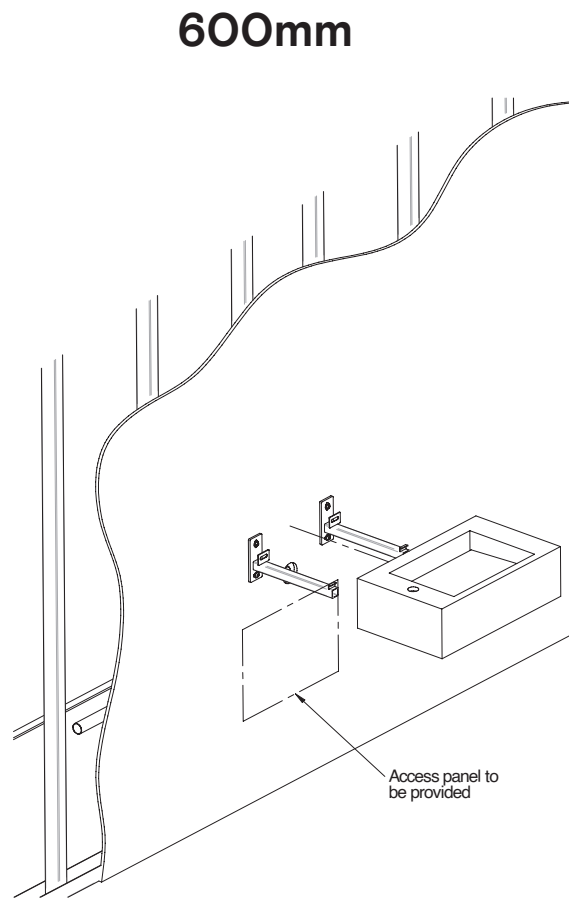
	600mm	1200mm	1800mm	2400mm	3000mm
Material	Solid Surface	Solid Surface	Solid Surface	Solid Surface	Solid Surface
Weight (kg)	15	30	45	60	100
Overall Dimensions (mm)	600x300x150	1200x300x150	1800x300x150	2400x300x150	3000x300x150
Waste Connections	1	2	3	4	5

Bottle traps not included.

Monolith S & S+ Series

before you install

1. A timber stud or similar framework should be prepared that will support the weight of the washtrough. The studwork should be set out to suit the suggested spacing of the brackets (see table on page 18). The Splash Lab recommend that a void of at least 90-100mm is included behind the fixing wall for ease of access to the plumbing connections. It is also recommended that access panels are created as part of the wall construction to allow for initial installation and maintenance of the plumbing fittings. Depending on the individual installation, the access panel could either be above or below the Monolith.

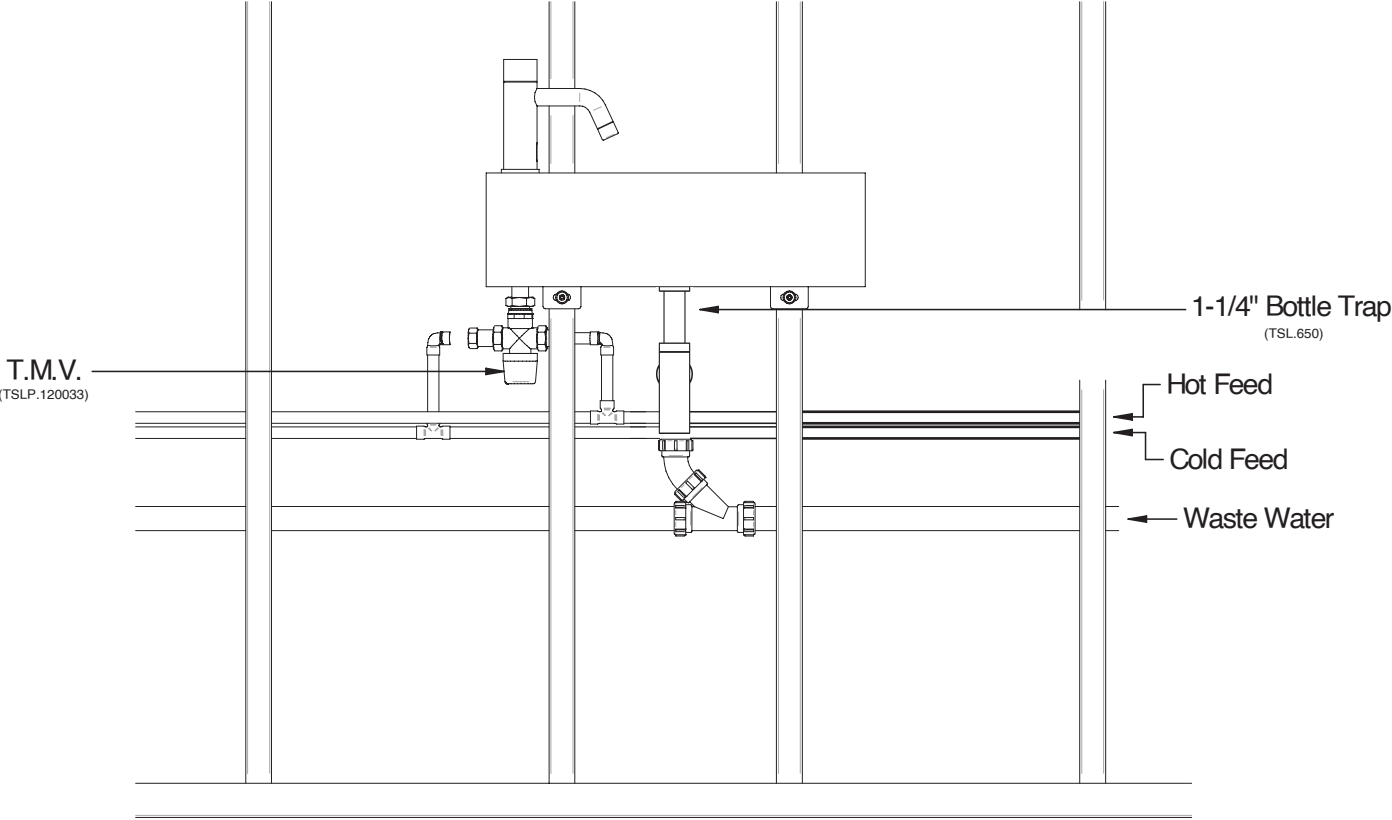


2. A water supply would need to be provided to suit the taps that have been selected for use with the Monolith
3. A waste water connection and appropriate trap is required to connect to the 1 ¼" BSP thread on the waste funnel. The trap should conform to the current waste water regulations.
4. For Monoliths with wall-mounted taps, the water supply pipes should be within the wall void (usually an IPS panelling system) to allow for connection to wall-mounted taps.
5. For Monoliths with deck-mounted taps the water supply should be routed to be underneath the trough to allow for connection to deck-mounted taps.

Monolith S & S+ Series

before you install

600mm



Monolith S & S+ Series installation

The brackets are to be installed with an appropriate fixing, depending on the substrate of the wall the Slim Monolith is to be mounted to.

The recommended fixing centres and heights are given in the table below

Length (mm)	No of brackets	Suggested Bracket fixing centres
600	2	450
1200	3	525
1800	4	600
2400	5	600
3000	6	600

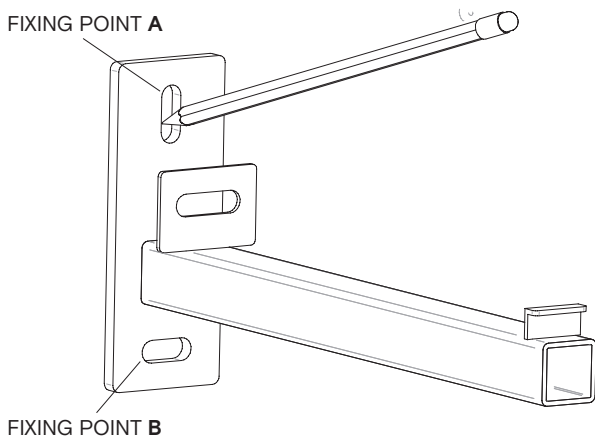
The fixing centres given in the table are only a guide, so can be moved within a tolerance of +/- 50mm to suit the wall conditions and the position of the waste outlet.

The outer end brackets should be fitted 75mm in from each end; the next bracket in is to be fitted at 600mm from end of the Monolith. All other brackets are to be at 600mm centres between the 2nd bracket in from each end.

Monolith S & S+ Series installation

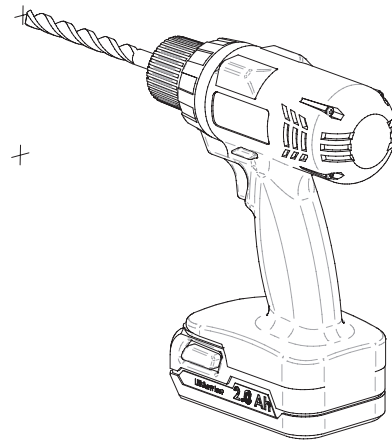
1

Mark the bracket fixing points on the wall.



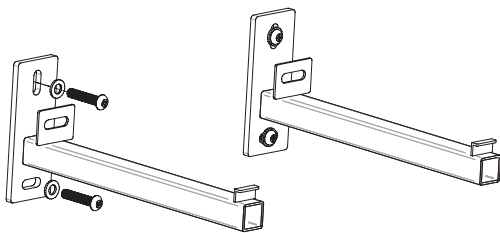
2

Drill the wall to accept the appropriate fixings



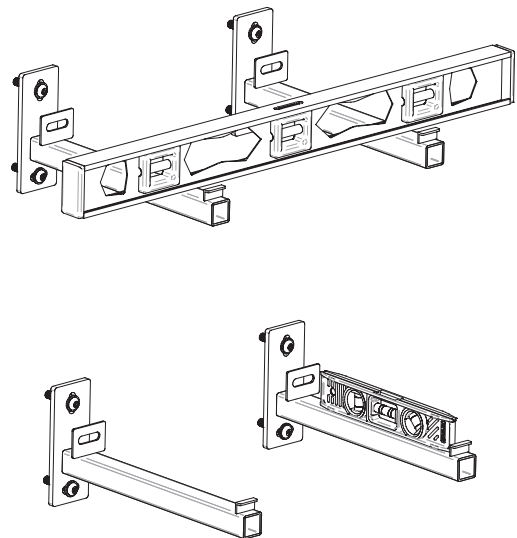
3

Attach the brackets through fixing point A using the height adjustment to ensure that all the brackets are all level and fitted at the same height. It is critical that the brackets are fixed level so that the water drains out of the trough.



4

Ensure all the brackets are level along their length so that there will not be a gap between the Monolith and the wall. Securely fix the brackets through fixing point B.



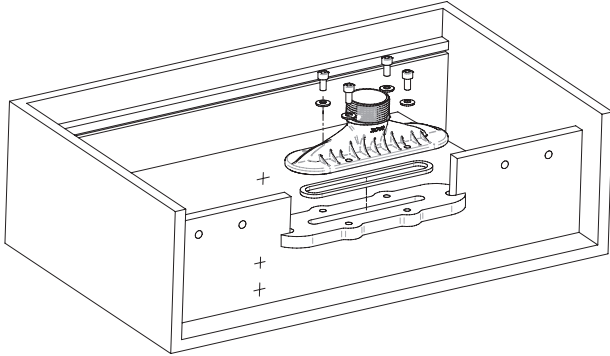
5

Finally tighten all the fixings to reduce the possibility of any further movement during installation of the Monolith.

Monolith S & S+ Series installation

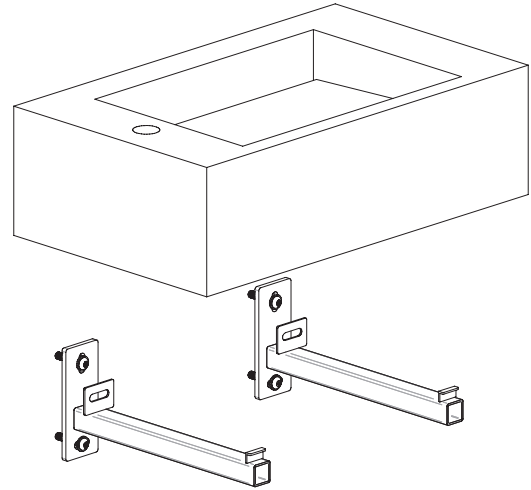
6

With the Monolith placed face-down, fit the waste funnel to the funnel adapter plate on the underside of the basin.



7

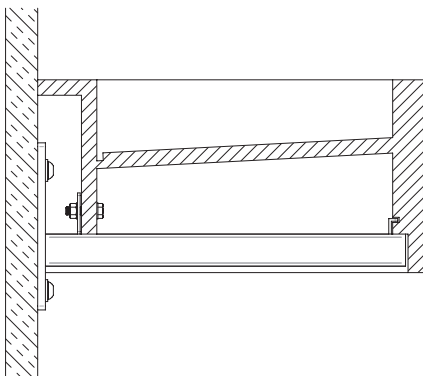
Lift Monolith over the front of the mounting tabs onto the wall brackets



Ensure that the sealing gasket is correctly fitted into the recess on the funnel and tighten the 4 fixing bolts.

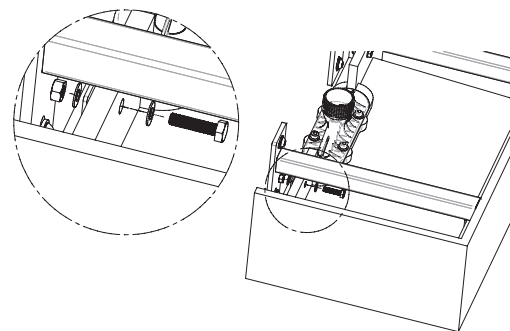
8

When rear of the Monolith is resting on brackets, slide towards the wall until the tabs are sitting against the front mounting rail on the Monolith. The front tab on the bracket must locate into the corresponding groove on the front mounting rail on the Monolith



9

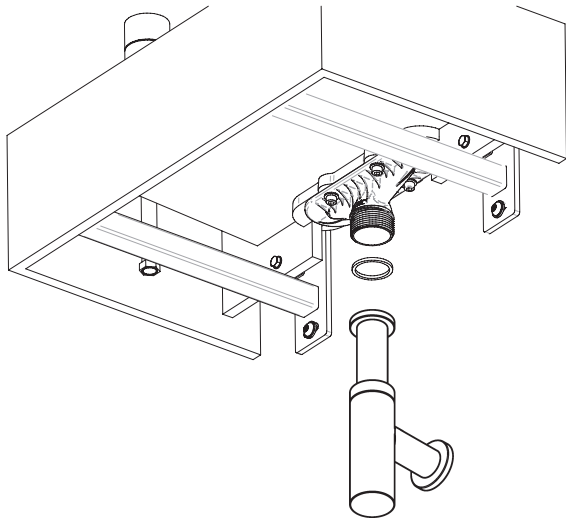
Once the Monolith is in place, mount it to the wall brackets through the mounting rail using the M6 x 40 screws and nuts provided.



Monolith S & S+ Series installation

10

Fit waste trap (TSL.650) to drain funnel and connect to waste pipe previously installed.



operation

The user is to activate the tap, either an automatic sensor tap or a manual tap, allow the water to flow and wash their hands in the normal manner.

maintenance

The Monolith should be periodically inspected for any damage. Also, the Monolith should be tested to ensure that the water drains out of the basin, and that the drainage waterways are not blocked with any debris.

cleaning

The Splash Lab Monoliths are finished in a matt / satin finish, unless otherwise specified at manufacture. The surface can be cleaned with a mild solution of soapy water, ammonia-based cleaners or most commercially available solid-surface cleaners. These will remove most dirt and other residue from the surface.

Cleaning Techniques

- + Washing with soap and water is usually sufficient to remove surface dirt or stains.
- + Ammonia based liquid cleaner (not window cleaner) can also be used. Always rinse surface thoroughly and wipe dry.
- + Drying is an important step, preventing a build-up of soap film or cleaning residue, which can create the appearance of light scratches over time.
- + Stubborn soap film or cleaning residue build-up on solid surfaces are easily removed with abrasive cleaners and a white abrasive pad or sponge.
- + For darker colours, a polish may be used to enhance the shine. For areas where there is the possibility of contact with food, a polish formulated for use in food-contact areas must be used. Where food contact is not likely to occur, a simple furniture polish can be used. Always follow the manufacturer's instructions for using the polish and for safety concerns.

Cleaning Agents

The Splash Lab solid surface is unaffected by common household and commercial cleaners such as:

- + Powdered abrasive cleaners
- + Ammonia
- + String detergents
- + Oxalic acid solutions
- + Dilute hydrochloric acid solutions
- + Dilute trisodium phosphate solutions

Acid drain cleaners may cause damage

repairs

Severe scratches can be removed using 180G abrasive paper in a circular motion on the affected area. Most other damage or chips to The Splash Lab Solid Surface material can be repaired with no visible evidence.

Please contact The Splash Lab technical department for damage evaluation and repairs.

damage prevention

Some chemicals are not compatible with The Splash Lab solid surface. Contact should be avoided with the following chemicals:

- + Strong chlorinated solvents
- + Chloroform
- + Ketones
- + Methylene chloride (paint removers)
- + Very strong acids such as concentrated sulphuric and hydrochloric acids
- + Acid drain cleaners should not be used.

Surfaces exposed to these agents should be promptly flushed with water. Contact for even a short period of time can cause surface damage, spots, or staining. Follow the recommended repair procedures described above as needed to repair and/or restore the surface to its original condition. Severe damage caused by incompatible chemical contact will require professional repair. Again, contact The Splash Lab technical department for assistance.

taps

See separate O & M manual for maintenance of sensor taps (where applicable)

soap dispensers

See separate O & M manual for maintenance of soap dispensers (where applicable)

If further information is required, contact The Splash Lab technical team.

warranty

We believe the future is personal. With a global mindset, we challenge conventional restroom norms via product innovation to create considered washroom solutions for corporate and educational spaces. We use rich raw materials, cutting-edge automation and considered washroom design to powerfully and positively influence the lives of people. We are The Splash Lab.

Demonstrating our commitment to quality and our belief in the strength of our designs, we can offer the following warranties.

The Splash Lab will warrant that its products will be free of manufacturing and material defects during normal use and environmental conditions as detailed below:

Monolith hand wash units 10 years for manufactured product; 10 years for material used

If a defect is found in normal use, The Splash Lab will, at their discretion, repair, provide a replacement part or product, or make appropriate adjustments. Damage caused by accident, misuse, or abuse is not covered by this warranty. Improper care and cleaning will void the warranty.

Non-operation of the product due to environmental conditions beyond our control, installation error, incorrect maintenance, water quality, fair wear and tear, incorrect or inappropriate installation, misuse and abuse is not covered by the warranty.

Proof of purchase (original sales receipt) must be provided to The Splash Lab with all warranty claims. The above warranty is valid for goods supplied within the United Kingdom.

For goods supplied outside of the United Kingdom, The Splash Lab will honour the above stated warranty periods for the parts only.

THE SPLASH LAB DISCLAIM ANY LIABILITY FOR SPECIAL, INCIDENTAL OR CONSEQUENTIAL DAMAGES.

contact



General information

info.uk@thesplashlab.com

+44 (0) 161 482 7000

Meadow Industrial Estate, 34 Water Street
Stockport SK1 2BU

Technical support

technical@thesplashlab.com

For further contact information visit:

www.thesplashlab.com

