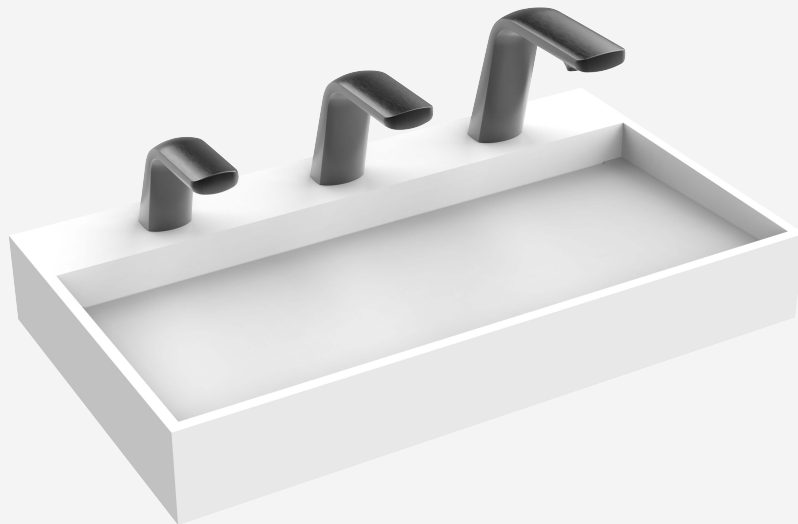


Ribbon Basin

TSL.R041

A 600mm wide Doc M compliant wash basin with a Solid Surface construction, concealed waste and 1 1/4" waste connection. Including steel supporting wall bracket.

+ Ribbon Basin



Technical Data

Warranty	10 years from date of purchase (terms and conditions apply)
Material	Solid surface
Support Brackets	Powder-coated steel - Refer to Installation manual for spacing and setting out
Finishes	See reference to supplier materials - Hi Macs, Corian

Installation requirements

Wall construction	Brackets included. Installer should ascertain that suitable wall substrate is present to allow for the correct support for the Ribbon Basin.
Fixed height	800mm to 900mm from finished floor
Wall Fixings	Must be fixed to a suitable wall substrate to allow for the correct use of the Monolith. The Splash Lab recommend that installers contact a fixings specialist for advice to ensure the correct fixings are used for the location. Wall fixings are not included with the Monolith
Plumbing	Connection to 1 ¼" waste outlet required. (one connection per user) Installer to provide water for taps. See separate datasheet for The Splash Lab sensor taps.
Access requirements	Solenoid and isolation valves must be accessible for initial installation & commissioning and for ongoing and routine maintenance.
Material	Solid Surface

Key Components/Spare Parts

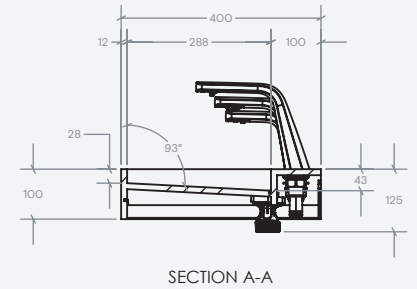
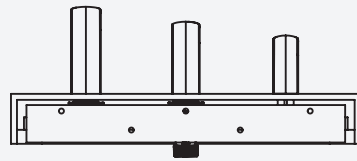
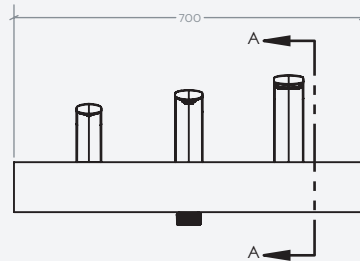
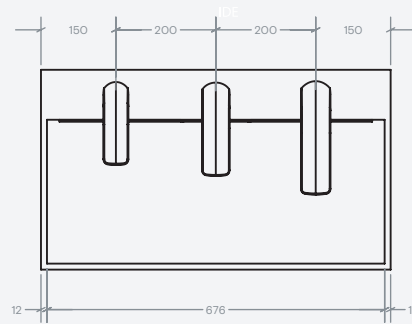
The Ribbon Basin
TSL.R041

The Ribbon Soap Dispenser
TSL.R011

The Ribbon Sensor Tap
TSL.R021

The Ribbon Hand Dryer
TSL.R031

+ Technical drawing



Warranty & Spare parts

For warranty terms and conditions please visit www.thesplashlab.com

If additional spare parts are required and are not listed above, please contact us at info.uk@thesplashlab.com

Related products



The Ribbon Soap Dispenser
TSL.R011



The Ribbon Sensor Tap
TSL.R021



The Ribbon Hand Dryer
TSL.R031