

PVD Mirror / Rectangular

TSL.MR20

The TSL.MR20 is an elegant rectangular mirror made from stainless steel and is available in 5 stunning PVD options, making it a stylish and functional addition to any restroom.

Finish	Codes	LRV*
● Satin	TSL.MR20.CS	58
● Black	TSL.MR20.BK	3
● Brass	TSL.MR20.BR	40
● Copper	TSL.MR20.CP	19
● Bronze	TSL.MR20.BZ	17

Light Reflectance Value*

+ Satin



+ Black



+ Brass



+ Copper



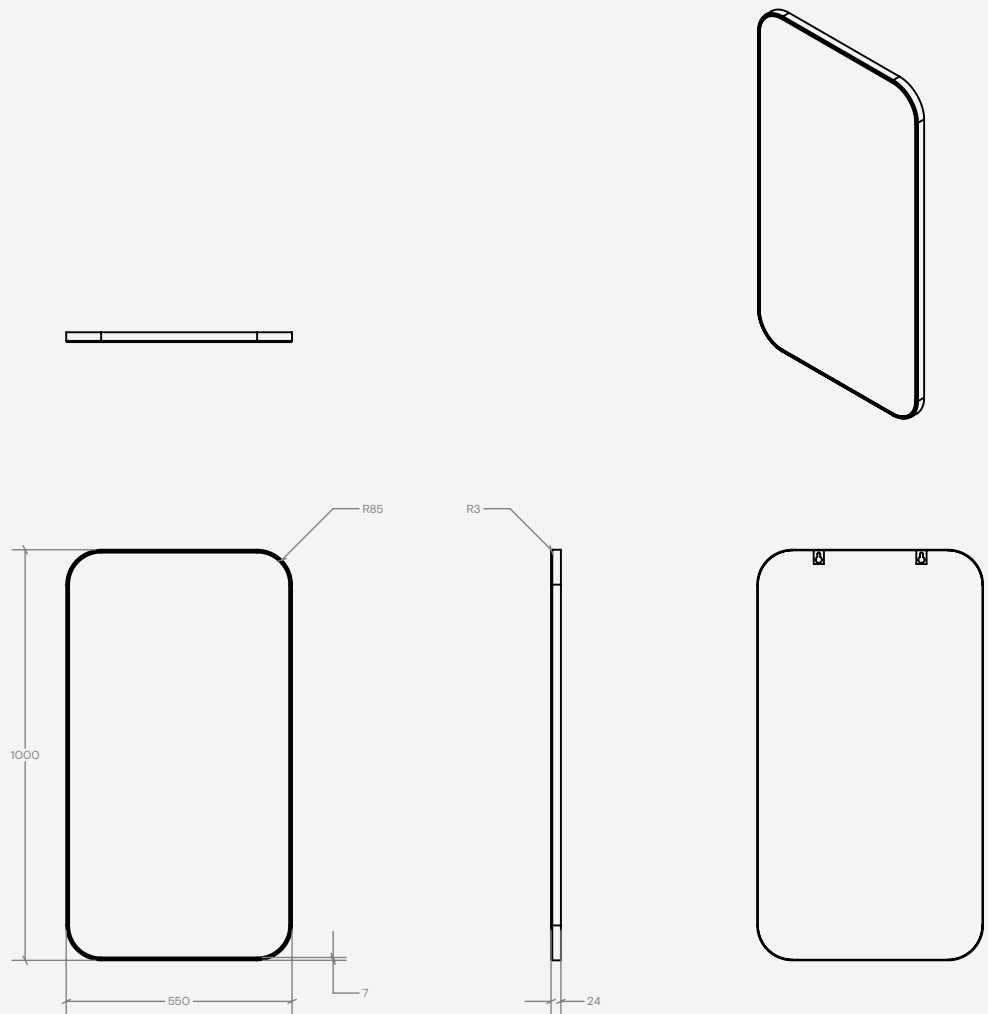
+ Bronze



Key Components/Spare Parts

PVD Mirror Rectangular
TSL.MR20

+ Technical drawing



Warranty & Spare parts

For warranty terms and conditions please visit www.thesplashlab.com

If additional spare parts are required and are not listed above, please contact us at info.uk@thesplashlab.com

Related products



The Aerofoil Basin
TSL.AERO



The Monolith M Series - 450mm
TSL.M



The Nano
TSL.N



DDA Basin (RH/LH)
TSL.DDA